

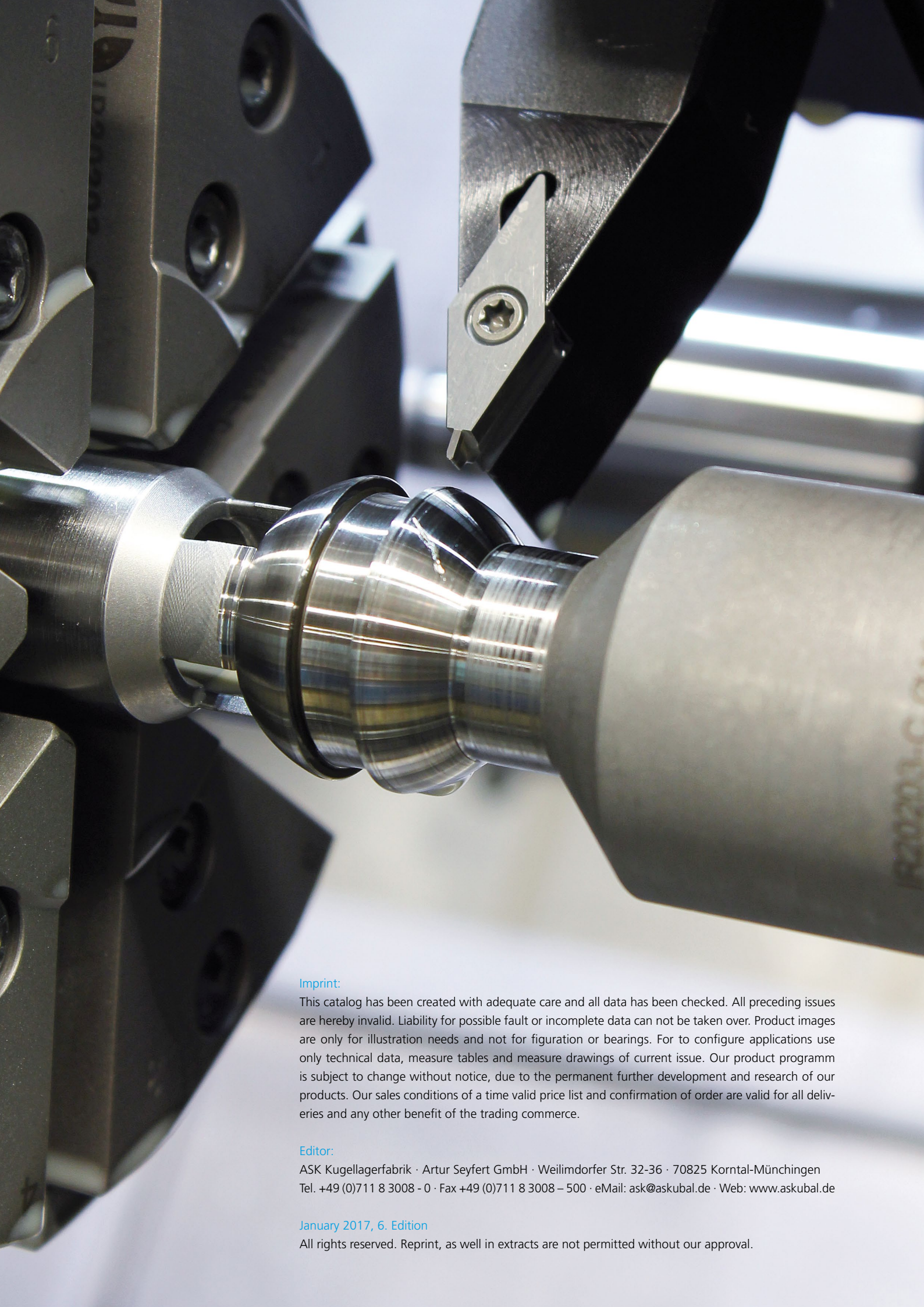
ASKUBAL®

CAD data  
download  
[www.askubal.de](http://www.askubal.de)



PRODUCT RANGE

PERFECT QUALITY AND DYNAMIC



**Imprint:**

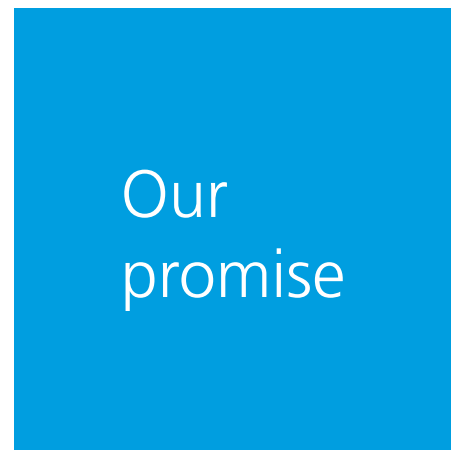
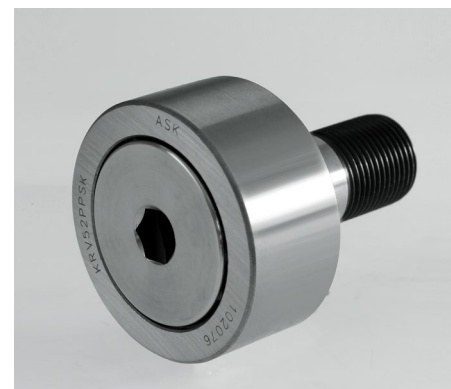
This catalog has been created with adequate care and all data has been checked. All preceding issues are hereby invalid. Liability for possible fault or incomplete data can not be taken over. Product images are only for illustration needs and not for figuration or bearings. For to configure applications use only technical data, measure tables and measure drawings of current issue. Our product programm is subject to change without notice, due to the permanent further development and research of our products. Our sales conditions of a time valid price list and confirmation of order are valid for all deliveries and any other benefit of the trading commerce.

**Editor:**

ASK Kugellagerfabrik · Artur Seyfert GmbH · Weilimdorfer Str. 32-36 · 70825 Korntal-Münchingen  
Tel. +49 (0)711 8 3008 - 0 · Fax +49 (0)711 8 3008 – 500 · eMail: ask@askubal.de · Web: www.askubal.de

**January 2017, 6. Edition**

All rights reserved. Reprint, as well in extracts are not permitted without our approval.



## Brand quality and service for highest requirements

We present you our latest catalogue with an expanded assortment. New in our product range are ASK cam followers.

Our whole program allows you uncountable possibilities to implement creative constructions. Consistent high quality of

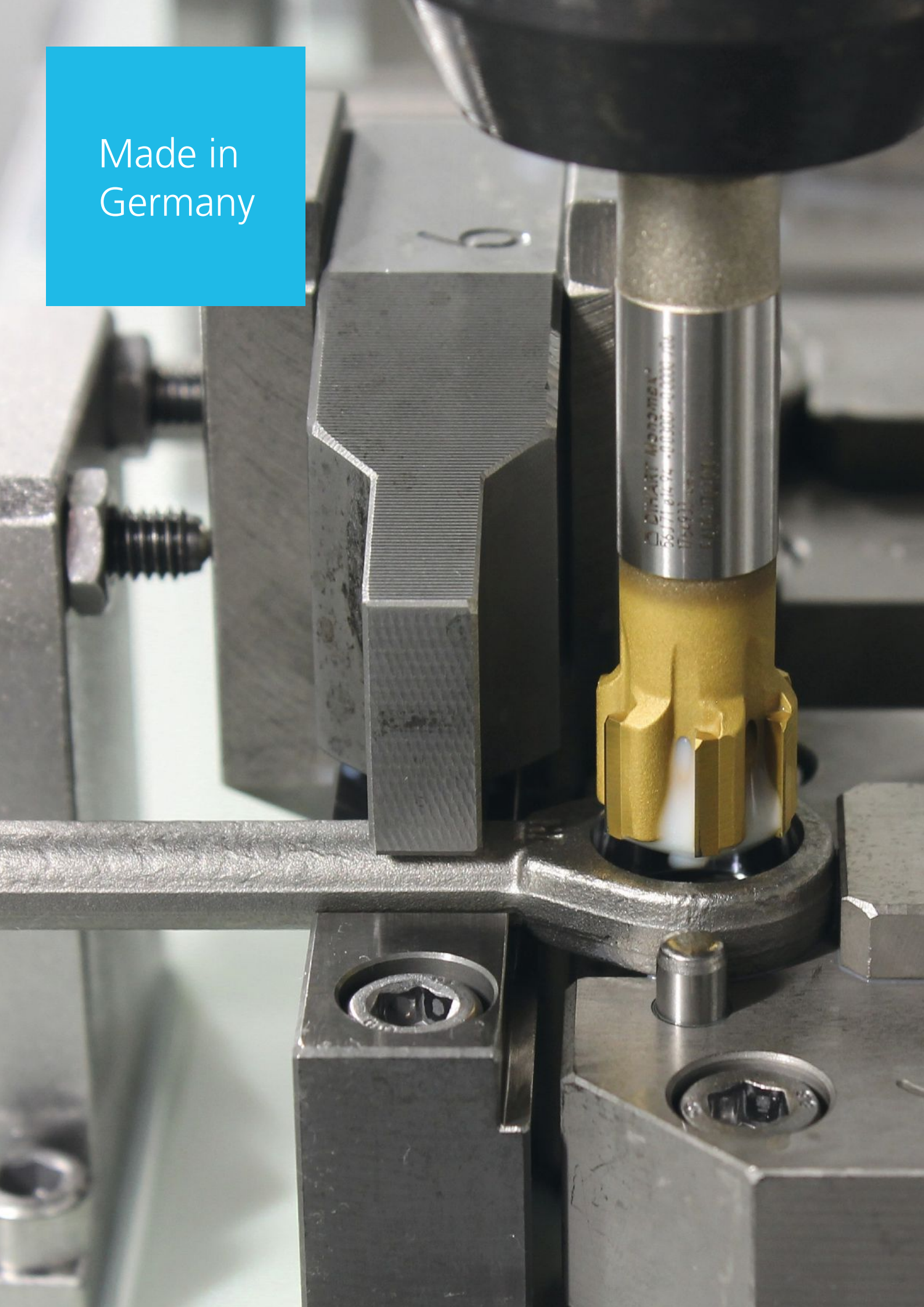
all our product series and sizes is guaranteeing the success of your products. Finest materials in combination with an ultra-modern production are part of our quality management as well as a consistent inspection of the individual components and the finished articles.

You want to increase your workflow, design faster and more efficient? With us no problem: just use our 3-D CAD service available for most of our products upcoming soon on our homepage and compatible with your CAD-software.

Prompt delivery is one of our outstanding assets. We manage more than 15,000 different articles in our automated small parts warehouse. For you this means fast availability and therefore less inventory costs. Benefits you can count on.

Quality from the beginning – designing and producing with ASK and ASKUBAL!

Made in  
Germany



**1** Rod ends and spherical bearings **ASKUBAL**



**2** Bearings and steel balls **ASK**



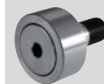
**3** Bearing units **ASK**



**4** Bearing units **ASAHI**



**5** Metric cam follower bearings **ASK**



**6** Metric cam follower bearings **MCGILL**



**7** Slide bushes **ASK**



**8** Shaft-hub-connections **ASK**



**9** Clevises and bolts **ASK**



**Rod ends dimension series K**

Standard	P. 1-10
Stainless steel	P. 1-14
ASKUROL ball bearing	P. 1-18
ASKUROL roller bearing	P. 1-20
RS	P. 1-22
2RS	P. 1-26

---

**Spherical bearings dimension series K**

Type G	P. 1-30
Type S	P. 1-32
Stainless steel type G	P. 1-34
Stainless steel type S	P. 1-36
ASKUROL ball bearing	P. 1-38
ASKUROL roller bearing	P. 1-39
RS	P. 1-40
2RS	P. 1-42

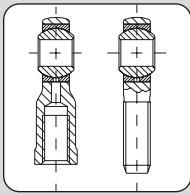
---

<b>Rod ends dimension series E</b>	P. 1-44
------------------------------------	---------

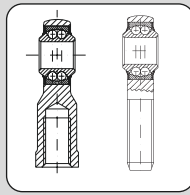
<b>Spherical bearings dimension series E,G,W</b>	P. 1-46
--	---------



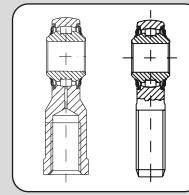
### Rod ends dimension series K



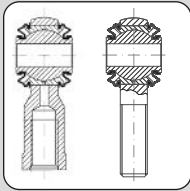
Standard  
Stainless steel



ASKUROL  
ball bearing

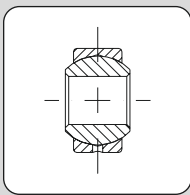


ASKUROL  
roller bearing

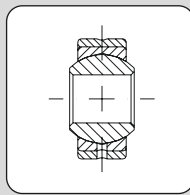


RS  
2 RS

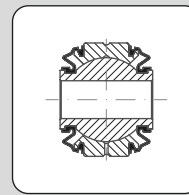
### Spherical bearings dimension series K



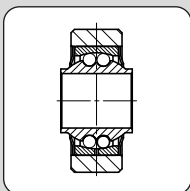
Type G  
Stainless steel  
type G



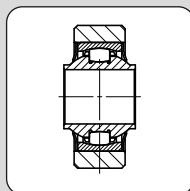
Type S  
Stainless steel  
type S



RS  
2RS



ASKUROL  
ball bearing



ASKUROL  
roller bearing

### Rod ends dimension series E

### Spherical bearings dimension series E,G,W

## Selection of rod end and spherical bearing size

The selection and determination of spherical bearing and rod end sizes in Schedule K must be based on the specified load capacity, applied loads and requirements for useful life and operating safety.

The load ratings specified in the tables serve as definitive characteristic and arithmetic values for the load capacity of the spherical bearings and rod ends.

Load ratings from different manufacturers cannot always be compared with each other, since no standardised load rating definition exists for spherical bearings and rod ends.

The following conditions are used as a basis for the load ratings of Askubal heavy-duty spherical bearings and rod ends:

### Static load capacity $C_0$ (plain bearings)

The static load capacity  $C_0$  is the radially acting static load which does not cause any permanent deformation of the components when the spherical bearing or rod end is stationary, i.e. the load condition without pivoting, swivelling or tilting movements. It is also a precondition here that the operating temperature must be in the normal room temperature range and the surrounding components must possess sufficient stability.

The static load capacity may vary by lower or higher temperature according to the material.

### Static load capacity $C_0$ (roller bearings)

In the case of Askubal rod ends with roller bearings, the static load rating is the load at which the overall permanent deformation of rolling elements and raceways is max. 0.0001 of the rolling element diameter.

### Dynamic load capacity $C$ (plain bearings)

Dynamic load ratings serve as arithmetic values for calculation of the service life of dynamically-loaded spherical bearings and rod ends. The values themselves do not provide any information about the effective dynamic load capacity of the spherical bearing or rod end. To obtain this information, it is necessary to take into account the additional influencing factors such as load type, swivel or tilt angle, speed characteristic, max. permitted bearing clearance, max. permitted bearing friction, lubrication conditions and temperature, etc.

Dynamic load capacities depend on the definition used to calculate them. Comparison of values is not always possible owing to the different definitions used by various manufacturers, and because the load capacities are often determined under completely different test conditions.

### Dynamic load capacity $C$ (roller bearings)

In the case of Askubal rod ends with roller bearings, the dynamic load capacity is the load at which 90% of a large quantity of identical rod ends reach 1 million revolutions before they fail owing to fatigue of the rolling surfaces.

### Operating temperature

All Askubal spherical bearings and rod ends can be used without restriction in an operating temperature range of between  $-10\text{ °C}$  bis  $+80\text{ °C}$ . Different operating temperatures occur a decrease of load capacity of the rod end housing and the bearing therefore the useful life will be reduced too.

### Rod end selection

**When choosing a rod end be sure that the real load is always explicitly less than the maximum load capacity of the rod end.**

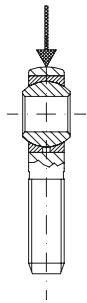
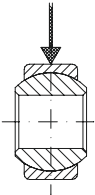


**Load direction**

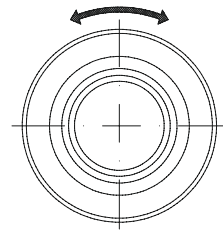
The load is of prime importance in the selection of bearing size, however the load direction is also important. A differentiation is made between the following load directions.

**Bearing movement**

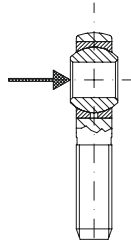
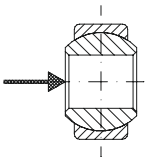
A differentiation is made between the following bearing movements in spherical bearings:



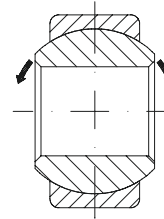
Radial load



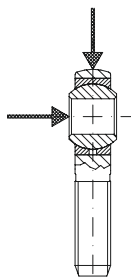
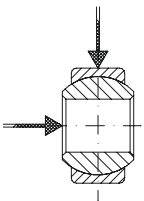
Swivelling  
(oscillating)



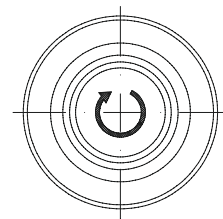
Axial load



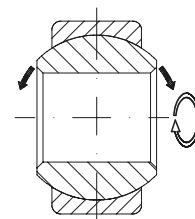
Tilting



Combined load



Full pivot  
(rotating)



Tilting and swivelling  
or rotating

## Housing load capacity

Depending on the load type, the following load factors must be taken into account for the permitted max. radial housing load capacity  $F_{r\text{ perm}}$ :

Load type		Load factor $S_B$	Load factor $S_K$
	constant	1	0.7
	pulsating	0.333	0.7
	alternating	0.166	0.7

The load factor  $S_K$  is valid for rod ends with male thread and lubricating hole or lubricating nipple. The named load factors should be used to value the limited load capacity. Load factors for shock load, also caused by increasing the bearing clearance or by an additional load due to simultaneous swivel movements are not included. The load factor  $S_K$ , which considers the weakening of the unit can only be a rough reference value. In extreme operating conditions specially in cases where the life and safety of individuals is placed at risk, practice-orientated tests must be verified.

The permitted radial housing load capacity  $F_{r\text{ perm}}$  is reduced as follows:

$$F_{r\text{ perm}} [\text{kN}] = \text{stat. load } C_0 [\text{kN}] \cdot S_B \cdot (S_K)$$

**Note: Caution! Special requirements must be fulfilled for use of these components in aircraft. For this reason, we can accept no product liability for applications of this kind.**

## Spherical bearing load capacity

A mounted spherical bearing has a considerably higher static load capacity than a rod end housing, as can be seen in a comparison of the static load ratings for rod ends and for the equivalent spherical bearings.

## Dynamic load

Basically an exact calculation of useful life is not possible, because of the conditions of use and the factors of influence which are often very hard to collect. Therefore experiences of already performed and comparable applications are highly important. To decide the size of bearing you further have to consider the following criteria:

- the load capacity of the housing
- the selection of mating materials for the spherical bearing

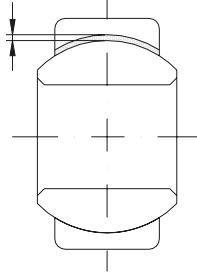
We will best possibly support your selection. Please ask us for help.

## Bearing clearance

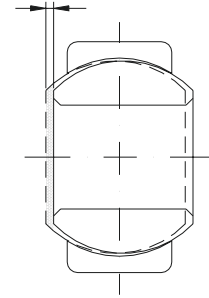
Bearing clearance is defined as the radial and axial freedom of motion of the inner ring (see illustration).

Reduced or enlarged bearing clearances (C3 or C2) are available on request.

In plain bearings the axial clearance could be several times higher than the radial clearance.



Radial clearance



Axial clearance



## Radial clearance

### Spherical bearings to DIN ISO 12240-1, Dimension Series K

Bearing bore		Mating materials steel on high-duty bronze						Mating materials steel on PTFE					
d		C2*		normal		C3*		C2*		normal		C3*	
over mm	incl.	min μm	max	min	max	min	max	min	max	min	max	min	max
3	6	4	34	10	50	42	72	5	30	20	50	40	65
8	10	5	41	13	61	52	88	10	50	40	80	70	100
12	18	6	49	16	75	64	107	15	60	50	100	90	130
20	30	7	59	20	92	77	120	30	70	60	110	100	140
35	50	9	71	25	112	98	150	40	80	70	140	130	180

### Spherical bearing to DIN ISO 12240-1, Dimension Series E

Bearing bore		Mating materials steel on steel						Mating materials steel on PTFE					
d		C2*		normal		C3*		C2*		normal		C3*	
over mm	incl.	min μm	max	min	max	min	max	min	max	min	max	min	max
2,5	12	8	32	32	68	68	104	0	25	0	32	15	45
12	20	10	40	40	82	82	124	0	30	0	40	20	60
20	35	12	50	50	100	100	150	0	35	0	50	25	65
35	60	15	60	60	120	120	180	0	40	0	60	30	80
60	90	18	72	72	142	142	212	0	50	0	72	35	90
90	140	18	85	85	165	165	245	0	60	0	85	40	100

### Spherical bearing to DIN ISO 12240-1, Dimension Series G

Bearing bore		Mating materials steel on steel					
d		C2*		normal		C3*	
over mm	incl.	min μm	max	min	max	min	max
2.5	10	8	32	32	68	68	104
10	17	10	40	40	82	82	124
17	30	12	50	50	100	100	150
30	50	15	60	60	120	120	180
50	80	18	72	72	142	142	212
80	120	18	85	85	165	165	245

### Spherical bearing to DIN ISO 12240-1, Dimension Series W

Bearing bore		Mating materials steel on steel					
d		C2*		normal		C3*	
over mm	incl.	min μm	max	min	max	min	max
2.5	12	8	32	32	68	68	104
12	20	10	40	40	82	82	124
20	32	12	50	50	100	100	150
32	50	15	60	60	120	120	180
50	90	18	72	72	142	142	212
90	125	18	85	85	165	165	245

\*) on request

## Rod ends to DIN ISO 12240-4, Dimension Series K

Bearing bore		Mating materials steel on high-duty bronze				Mating materials steel on PTFE			
d		normal		C3*		normal		C3*	
over mm	incl.	min	max	min	max	min	max	min	max
3	6	2	34	12	65	3	35	10	50
8	10	3	41	20	78	5	40	15	55
12	18	3	49	25	93	5	45	15	65
20	30	4	59	30	103	10	55	20	75
35	50	5	71	35	125	10	60	20	80

## Rod ends to DIN ISO 12240-4, Dimension Series E

Bearing bore		Mating materials steel on steel				Mating materials steel on PTFE			
d		normal		C3*		normal		C3*	
over mm	incl.	min	max	min	max	min	max	min	max
2.5	12	16	68	34	104	0	25	10	40
12	20	20	82	41	124	0	30	10	55
20	35	25	100	50	150	0	35	15	60

## Rod ends on antifriction bearing basis, mounting sizes to DIN ISO 12240-4

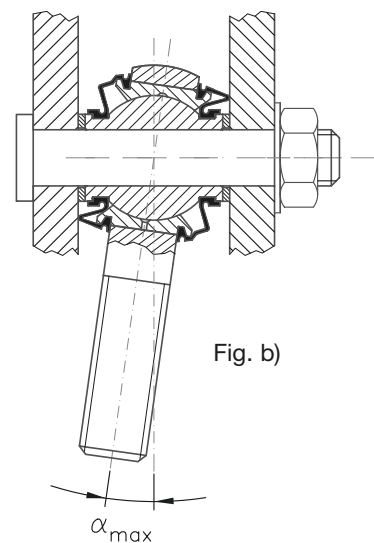
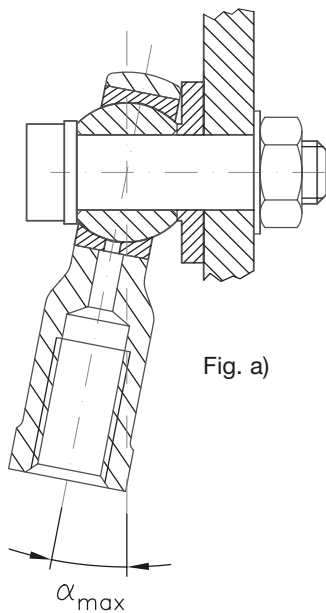
Bearing bore		Ball bearing						Roller bearing					
d		C2*		normal		C3*		C2*		normal		C3*	
over mm	incl.	min $\mu\text{m}$	max	min	max	min	max	min	max	min	max	min	max
	30	5	30	15	40	35	50	10	30	20	50	45	60

\*) nur auf Anfrage

In antifriction bearings the axial clearance could be several times higher than the radial clearance.

### Tilt angle limitation

For all Askubal spherical bearings and Askuro rods ends, the maximum tilt angle specified in the tables must not be exceeded while mounting or during operation, otherwise the bearing or washers and cover washers may be damaged. The assembly must be constructed so that the rod end or spherical bearing is effectively prevented from moving further than the given angle (Fig. a). At the same time, however, no major forces may be applied to the housing. It is also important to ensure that there is always sufficient space available for the seal (particularly with RS models), in order to prevent contact with the surrounding components (Fig. b).



## Mounting instructions

### Installation

All Askubal spherical bearings and rod ends are very high precision, ready-to-fit bearing elements. For this reason, they must be stored carefully and installed correctly. It is important to comply with the following points:

1. The spherical bearings and rod ends must be kept in their original packaging until shortly before their installation, so that they continue to be effectively preserved for as long as possible. Ensure during the installation process that foreign particles are on no account allowed to enter the outer ring of the bearing.
2. The forces required for installation and removal should on no account be transmitted from the spherical form to the bearing shells or raceways of the bearing outer ring.
3. In order for the spherical bearings to run smoothly, the sliding movement must take place between the sliding faces of the bearing inner ring and outer ring. Sliding movements on the shaft or in the housing cause damage and premature failure. For this reason, it is essential for there to be an interference fit between the bearing housing and bearing outer ring and between the bearing inner ring and the connection shaft. This can be achieved by using tight fits and with axial tensioning of the bearing rings. However, the consequence of using tight fits is an alteration in the bearing clearance. Too high interference between the housing and the bearing outer ring causes contraction of the outer ring. Too high interference between the connection shaft and the inner ring causes the inner ring to expand.

### Maintenance and lubrication

The useful life of all spherical bearings and rod ends with metallic mating materials is greatly dependent on regular lubrication. A one-off initial grease filling is only adequate if operating loads are very low. The effectiveness of lubrication is mainly dependent on the load, type of load (constant, pulsating or alternating), the swivel angle and sliding speed. Numerous tests in our ASK laboratory have shown that small swivel angles and both very low and very high sliding speeds have an unfavourable effect on the formation of a film of lubricant. A load which acts in one direction only is also unfavourable compared to an alternating load. To ensure optimum and even distribution of the lubricant, initial lubrication and subsequent lubrication should be carried out with the spherical bearing or rod end in an unloaded condition.

### Note

In order to avoid incompatibility of various lubricants that may be used by ASK and the customer, spherical bearings and rod ends are supplied only with an anticorrosive coating. For this reason, spherical bearings and rod ends which need maintenance should be given initial lubrication before commissioning or directly after installation. We recommend carrying out initial lubrication after a running-in time of approx. 1 hour. Whenever this lubrication is carried out, the bearing must be in an unloaded condition, so that the lubricant can spread without obstruction. Lubrication should continue until the lubricant emerges between the bearing outer ring and the inner ring. For rod ends with a female thread, it is also advisable to fill the space in the shank thread with lubricant up to the threaded connection journal before installation. This reduces the amount of work involved in lubricating with the lubricating nipple.

### Mating materials steel on high-duty bronze

We recommend using corrosion inhibiting, pressure-resistant lithium-base greases or lithium complex metallic soap greases for lubrication of this material combination. The operating temperature range should be between  $-20^{\circ}\text{C}$  and  $+110^{\circ}\text{C}$ . It is possible to reduce friction and increase the useful life of components which are used under load conditions in the upper limit range by using solid lubricants. These are available on request.

### Mating materials steel on PTFE

This material combination is distinguished by its low friction. The antifriction film is made of a material which makes lubrication unnecessary, so that maintenance-free operation is possible.

### Askuroil antifriction bearings

**Ball bearings:** These rod ends are given permanent lubrication with a lithium soap grease. Subsequent lubrication is not required. There is, however, a version available for a swivel angle of  $<5^{\circ}$  which does require subsequent lubrication.

**Roller bearings:** These rod ends are given initial lubrication with a lithium soap grease. If they are used in heavy operating conditions, these rod ends can be relubricated through the fitted lubricating nipples.

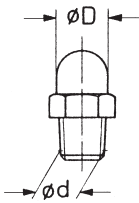
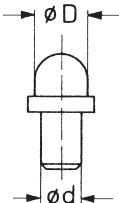
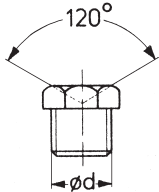
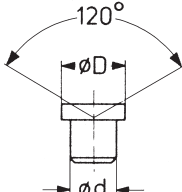
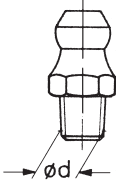
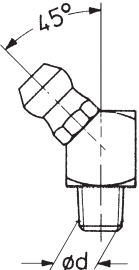


# ASKUBAL® Rod ends and spherical bearings

Please note, that the use of a non standard lubricating nipple (DIN 3405 shape D) causes a cross sectional variation for

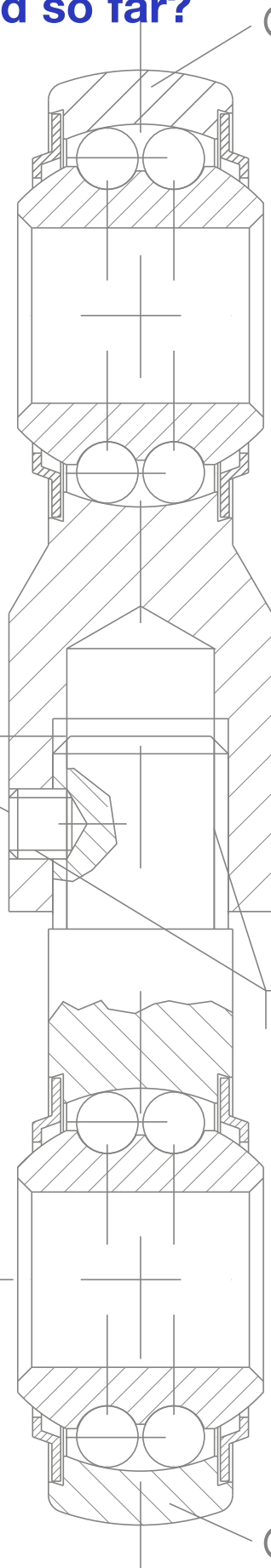
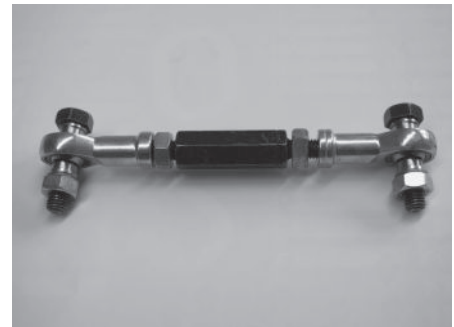
housings with male thread which means a reduction of the static load capacity  $C_0$ .

## Lubricating nipple shapes

DIN-No.		Designation indicate by ordering, if deviates from standard rod end	d mm	D											
DIN 3402 shape A		<table border="1"> <tr><td>SN 3402 M 6</td><td>M 6</td></tr> <tr><td>SN 3402 M 8 x 1</td><td>M 8 x 1</td></tr> <tr><td>SN 3402 M 10 x 1</td><td>M 10 x 1</td></tr> </table>	SN 3402 M 6	M 6	SN 3402 M 8 x 1	M 8 x 1	SN 3402 M 10 x 1	M 10 x 1							
SN 3402 M 6	M 6														
SN 3402 M 8 x 1	M 8 x 1														
SN 3402 M 10 x 1	M 10 x 1														
DIN 3402 shape D		<table border="1"> <tr><td>SN 3402 D</td><td>5.0</td><td>6.5</td></tr> <tr><td>SN 3402 D 6 x 6.5</td><td>6.0</td><td>6.5</td></tr> </table>	SN 3402 D	5.0	6.5	SN 3402 D 6 x 6.5	6.0	6.5							
SN 3402 D	5.0	6.5													
SN 3402 D 6 x 6.5	6.0	6.5													
DIN 3405 shape A		<table border="1"> <tr><td>SN 3405 M 6</td><td>M 6</td></tr> <tr><td>SN 3402 M 8 x 1</td><td>M 8 x 1</td></tr> </table>	SN 3405 M 6	M 6	SN 3402 M 8 x 1	M 8 x 1									
SN 3405 M 6	M 6														
SN 3402 M 8 x 1	M 8 x 1														
DIN 3405 shape D		<b>Lubricating nipple for standard rod ends</b> <table border="1"> <tr><td>SN 3405 D 3.5 x 5</td><td>3.5</td><td>5.0</td></tr> </table>	SN 3405 D 3.5 x 5	3.5	5.0										
SN 3405 D 3.5 x 5	3.5	5.0													
DIN 71 412 shape A		<table border="1"> <tr><td>SN</td><td>M 6</td></tr> <tr><td>SN</td><td>M 5</td></tr> <tr><td>SNA 5</td><td>5.0</td><td>8.0</td></tr> <tr><td>SNA M 8 x 1</td><td>M 8 x 1</td></tr> <tr><td>SNA R 1/8"</td><td>R 1/8"</td></tr> </table>	SN	M 6	SN	M 5	SNA 5	5.0	8.0	SNA M 8 x 1	M 8 x 1	SNA R 1/8"	R 1/8"		
SN	M 6														
SN	M 5														
SNA 5	5.0	8.0													
SNA M 8 x 1	M 8 x 1														
SNA R 1/8"	R 1/8"														
DIN 71 412 shape B		<table border="1"> <tr><td>SNB</td><td>M 6</td></tr> <tr><td>SNB M 8 x 1</td><td>M 8 x 1</td></tr> </table>	SNB	M 6	SNB M 8 x 1	M 8 x 1									
SNB	M 6														
SNB M 8 x 1	M 8 x 1														



**You have problems which  
have not been solved so far?  
– Ask us!**



G-KUI 10-96-1.1

threaded pin  
DIN 914 M4x4

31

with Loctite 638  
locked against  
rotation

G-KUA 10-96-1.2

**Mating Materials:**  
**Steel on high-duty bronze**  
**Maintenance required**

**Standard**  
**DIN ISO 12240-4**  
**dimension series K**

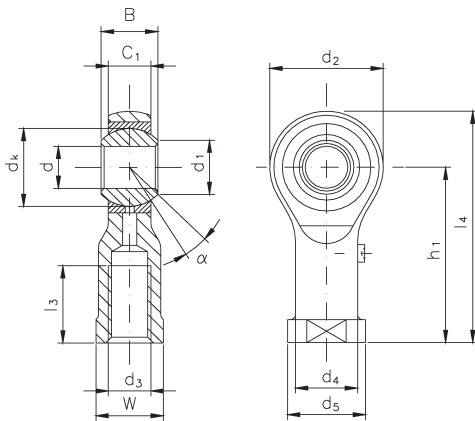
**Inner ring:** Antifriction bearing steel, hardened, ground and polished.

**Outer ring:** Sliding face made of high-duty bronze. Lubricant is distributed via the lubrication groove in the outer ring.

**Housing:** Sizes 3 to 12 free-cutting steel, sizes 14 to 50 tempering steel (standardised), all sizes galvanized and chromatised. The spherical bearing is pressed into the housing and caulked at both sides.

**Lubrication nipple:** Sizes 3 and 5 without lubrication nipple. Sizes 6 to 50 lubrication nipple DIN 3405, shape D. Further lubrication nipple shapes available on request.

## Female thread

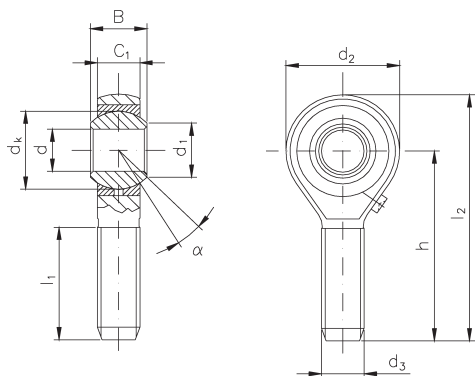


Designation		d	d <sub>3</sub>	B	C <sub>1</sub>	d <sub>1</sub> ≈
Righthand thread	Lefthand thread	mm	mm	mm	mm	mm
KI 3	KIL 3	3	M3	6	4,50	5,1
KI 5	KIL 5	5	M5	8	6,00	7,7
KI 5-M4**		5	M4	8	6,00	7,7
KI 6	KIL 6	6	M6	9	6,75	8,9
KI 8	KIL 8	8	M8	12	9,00	10,3
KI 10	KIL 10	10	M10	14	10,50	12,9
KI 10-M10x1,25**		10	M10x1,25	14	10,50	12,9
KI 12	KIL 12	12	M12	16	12,00	15,4
KI 12-M12x1,25**		12	M12x1,25	16	12,00	15,4
KI 14	KIL 14	14	M14	19	13,50	16,8
KI 16	KIL 16	16	M16	21	15,00	19,3
KI 16-M16x1,5**		16	M16x1,5	21	15,00	19,3
KI 18	KIL 18	18	M18x1,5	23	16,50	21,8
KI 20	KIL 20	20	M20x1,5	25	18,00	24,3
KI 22	KIL 22	22	M22x1,5	28	20,00	25,8
KI 25	KIL 25	25	M24x2	31	22,00	29,5
KI 30	KIL 30	30	M30x2	37	25,00	34,8
KI 30-M27x2**		30	M27x2	37	25,00	34,8
KI 35	KIL 35	35	M36x2	43	28,00	37,7*
KI 40	KIL 40	40	M42x2	49	33,00	45,2*
KI 50	KIL 50	50	M48x2	60	45,00	56,6*

\*) deviates from standard

\*\*\*) connecting thread acc. to CETOP norm for pneumatic cylinder

## Male thread



Designation		d	d <sub>3</sub>	B	C <sub>1</sub>	d <sub>1</sub> ≈
Righthand thread	Lefthand thread	mm	mm	mm	mm	mm
KA 3	KAL 3	3	M3	6	4,50	5,1
KA 5	KAL 5	5	M5	8	6,00	7,7
KA 6	KAL 6	6	M6	9	6,75	8,9
KA 8	KAL 8	8	M8	12	9,00	10,3
KA 10	KAL 10	10	M10	14	10,50	12,9
KA 12	KAL 12	12	M12	16	12,00	15,4
KA 14	KAL 14	14	M14	19	13,50	16,8
KA 16	KAL 16	16	M16	21	15,00	19,3
KA 18	KAL 18	18	M18x1,5	23	16,50	21,8
KA 20	KAL 20	20	M20x1,5	25	18,00	24,3
KA 22	KAL 22	22	M22x1,5	28	20,00	25,8
KA 25	KAL 25	25	M24x2	31	22,00	29,5
KA 30	KAL 30	30	M30x2	37	25,00	34,8
KA 35	KAL 35	35	M36x2	43	28,00	37,7*
KA 40	KAL 40	40	M42x2	49	33,00	45,2*
KA 50	KAL 50	50	M48x2	60	45,00	56,6*

\*) deviates from standard




**Special versions:**

- **Version -V:**  
as standard, but housing heat-treated,  
for static load capacity see **-V** load rating stat **C0**
  - **Version -L:**  
as standard, but housing made from high-grade tempering steel (heat-treated),  
for static load capacity see **-L** load rating stat **C0**
- Further versions available on request. E.g.:
- Housing crack-tested
  - Sliding face of inner ring hard chromium plated
  - Special surface coating of housing

d <sub>2</sub> max.	d <sub>4</sub> ≈	d <sub>5</sub>	dk	h <sub>1</sub>	l <sub>3</sub> min.	l <sub>4</sub> ≈	W	Load ratings static C <sub>0</sub>				Tilt angle	Weight
mm	mm	mm	mm	mm	mm	mm	mm	Standard	-V	-L	dyn. C	∞°	kg
15	6,5	8	7,9	21	8	28,5	7	4	•	•	1,8	13	0,008
19	9,0	11	11,1	27	8	36,5	9	6	•	•	3,5	13	0,017
19	9,0	11	11,1	27	8	36,5	9	6	•	•	3,5	13	0,016
21	10,0	13	12,7	30	9	40,5	11	7	•	•	4,5	13	0,025
25	12,5	16	15,8	36	12	48,5	14	12	16	21	7,0	13	0,043
29	15,0	19	19,0	43	15	57,5	17	15	19	27	10,0	13	0,072
29	15,0	19	19,0	43	15	57,5	17	15	19	•	10,0	13	0,072
33	17,5	22	22,2	50	18	66,5	19	23	25	35	13,5	13	0,107
33	17,5	22	22,2	50	18	66,5	19	23	25	•	13,5	13	0,107
37	20,0	25	25,4	57	21	75,5	22	24	34	46	17,0	15	0,160
43	22,0	27	28,5	64	24	85,5	22	34	43	57	21,5	15	0,210
43	22,0	27	28,5	64	24	85,5	22	34	36	•	21,5	15	0,210
47	25,0	31	31,7	71	27	94,5	27	39	49	77	26,0	15	0,295
51	27,5	34	34,9	77	30	102,5	30	42	50	78	31,5	15	0,380
55	30,0	37	38,1	84	33	111,5	32	54	70	101	38,0	15	0,490
61	33,5	42	42,8	94	36	124,5	36	60	78	131	47,0	15	0,650
71	40,0	50	50,8	110	45	145,5	41	82	107	182	64,0	15	1,150
70	40,0	50	50,8	110	45	145,5	41	82	107	•	64,0	15	1,150
81	46,0	58	57,1	125	56	165,5	50	96	•	•	80,0	16	1,600
91	53,0	65	66,6	142	60	187,5	55	145	•	•	110,0	17	2,400
117	65,0	75	82,5	160	65	218,5	65	209	•	•	186,0	12	5,000

• not available

d <sub>2</sub> max.	dk	h	l <sub>1</sub> min.	l <sub>2</sub> ≈	Load ratings C <sub>0</sub>				Tilt angle	Weight
mm	mm	mm	mm	mm	Standard	-V	-L	dyn. C	∞°	kg
15	7,9	27	15	34,0	1	•	•	1,8	13	0,005
19	11,1	33	19	42,5	3	•	•	3,5	13	0,013
21	12,7	36	21	46,5	4	•	•	4,5	13	0,019
25	15,8	42	25	54,5	8	10	17	7,0	13	0,032
29	19,0	48	28	62,5	13	17	25	10,0	13	0,054
33	22,2	54	32	70,5	21	22	33	13,5	13	0,085
37	25,4	60	36	78,5	22	31	44	17,0	15	0,125
43	28,5	66	37	87,5	33	43	57	21,5	15	0,185
47	31,7	72	41	95,5	39	49	77	26,0	15	0,260
51	34,9	78	45	103,5	42	50	78	31,5	15	0,340
55	38,1	84	48	111,5	54	70	101	38,0	15	0,435
61	42,8	94	55	124,5	60	78	131	47,0	15	0,590
71	50,8	110	66	145,5	82	107	182	64,0	15	1,060
81	57,0	140	85	180,5	96	•	•	80,0	16	1,640
91	66,0	150	90	195,5	132	•	•	110,0	17	2,300
117	82,0	185	105	219,5	209	•	•	186,0	12	4,800

• not available

**Mating materials:**  
**Steel on PTFE**  
**Maintenance-free**

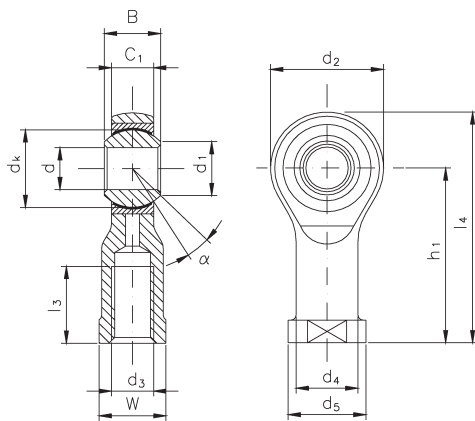
**Standard**  
**DIN ISO 12240-4**  
**dimension series K**

**Inner ring:** Antifriction bearing steel, hardened, ground and polished.

**Outer ring:** Steel lined with an antifriction film, consisting of PTFE.

**Housing:** Sizes 5 to 12 free-cutting steel, sizes 14 to 50 tempering steel (standardised), all sizes galvanized and chromatised. The spherical bearing is pressed into the housing and caulked at both sides.

## Female thread

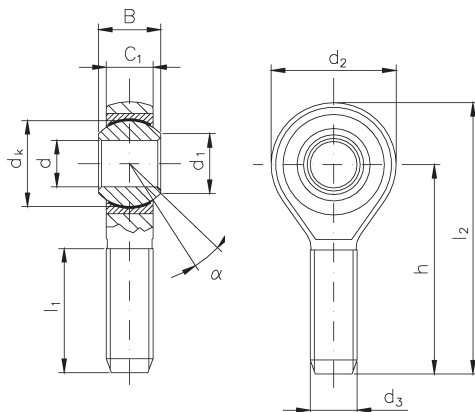


Designation		d	d <sub>3</sub>	B	C <sub>1</sub>	d <sub>1</sub> ≈
Righthand thread	Lefthand thread	mm	mm	mm	mm	mm
KI 5-D	KIL 5-D	5	M5	8	6,00	7,7
KI 5-DM4**		5	M4	8	6,00	7,7
KI 6-D	KIL 6-D	6	M6	9	6,75	8,9
KI 8-D	KIL 8-D	8	M8	12	9,00	10,3
KI 10-D	KIL 10-D	10	M10	14	10,50	12,9
KI 10-DM10x1,25*		10	M10x1,25	14	10,50	12,9
KI 12-D	KIL 12-D	12	M12	16	12,00	15,4
KI 12-DM12x1,25*		12	M12x1,25	16	12,00	15,4
KI 14-D	KIL 14-D	14	M14	19	13,50	16,8
KI 16-D	KIL 16-D	16	M16	21	15,00	19,3
KI 16-DM16x1,5**		16	M16x1,5	21	15,00	19,3
KI 18-D	KIL 18-D	18	M18x1,5	23	16,50	21,8
KI 20-D	KIL 20-D	20	M20x1,5	25	18,00	24,3
KI 22-D	KIL 22-D	22	M22x1,5	28	20,00	25,8
KI 25-D	KIL 25-D	25	M24x2	31	22,00	29,5
KI 30-D	KIL 30-D	30	M30x2	37	25,00	34,8
KI 30-DM27x2**		30	M27x2	37	25,00	34,8
KI 35-D	KIL 35-D	35	M36x2	43	28,00	37,7*
KI 40-D	KIL 40-D	40	M42x2	49	33,00	45,2*
KI 50-D	KIL 50-D	50	M48x2	60	45,00	56,6*

\*) deviates from standard

\*\*\*) connecting thread acc. to CETOP norm for pneumatic cylinder

## Male thread



Designation		d	d <sub>3</sub>	B	C <sub>1</sub>	d <sub>1</sub> ≈
Righthand thread	Lefthand thread	mm	mm	mm	mm	mm
KA 5-D	KAL 5-D	5	M5	8	6,00	7,7
KA 6-D	KAL 6-D	6	M6	9	6,75	8,9
KA 8-D	KAL 8-D	8	M8	12	9,00	10,3
KA 10-D	KAL 10-D	10	M10	14	10,50	12,9
KA 12-D	KAL 12-D	12	M12	16	12,00	15,4
KA 14-D	KAL 14-D	14	M14	19	13,50	16,8
KA 16-D	KAL 16-D	16	M16	21	15,00	19,3
KA 18-D	KAL 18-D	18	M18x1,5	23	16,50	21,8
KA 20-D	KAL 20-D	20	M20x1,5	25	18,00	24,3
KA 22-D	KAL 22-D	22	M22x1,5	28	20,00	25,8
KA 25-D	KAL 25-D	25	M24x2	31	22,00	29,5
KA 30-D	KAL 30-D	30	M30x2	37	25,00	34,8
KA 35-D	KAL 35-D	35	M36x2	43	28,00	37,7*
KA 40-D	KAL 40-D	40	M42x2	49	33,00	45,2*
KA 50-D	KAL 50-D	50	M48x2	60	45,00	56,6*

\*) deviates from standard

**Special versions:**

- **Version -DMS:**  
as standard, but outer ring made of brass
  - **Version -DV:**  
as standard, but housing heat-treated,  
for static load capacity see **-V** load rating stat **C0**
  - **Version -DL:**  
as standard, but housing made from high-grade tempering steel (heat-treated),  
for static load capacity see **-L** load rating stat **C0**
- Further versions available on request. E.g.:
- Housing crack-tested
  - Sliding face of inner ring hard chromium plated
  - Special surface coating of housing



d <sub>2</sub> max.	d <sub>4</sub> ≈	d <sub>5</sub>	d <sub>k</sub>	h <sub>1</sub>	l <sub>3</sub> min.	l <sub>4</sub> ≈	W	Load ratings static C <sub>0</sub>			Tilt angle	Weight	
								Standard	-V	-L			dyn. C
mm	mm	mm	mm	mm	mm	mm	mm	kN	kN	kN	°	kg	
19	9,0	11	11,1	27	8	36,5	9	6	•	•	7,5	13	0,017
19	9,0	11	11,1	27	8	36,5	9	6	•	•	7,5	13	0,016
21	10,0	13	12,7	30	9	40,5	11	7	•	•	10,0	13	0,025
25	12,5	16	15,8	36	12	48,5	14	12	16	21	17,0	13	0,043
29	15,0	19	19,0	43	15	57,5	17	15	19	27	24,5	13	0,072
29	15,0	19	19,0	43	15	57,5	17	15	19	•	24,5	13	0,072
33	17,5	22	22,2	50	18	66,5	19	23	25	35	33,0	13	0,107
33	17,5	22	22,2	50	18	66,5	19	23	25	•	33,0	13	0,107
37	20,0	25	25,4	57	21	75,5	22	24	34	46	43,0	15	0,160
43	22,0	27	28,5	64	24	85,5	22	34	43	57	54,0	15	0,210
43	22,0	27	28,5	64	24	85,5	22	34	36	•	54,0	15	0,210
47	25,0	31	31,7	71	27	94,5	27	39	49	77	66,0	15	0,295
51	27,5	34	34,9	77	30	102,5	30	42	50	78	80,0	15	0,380
55	30,0	37	38,1	84	33	111,5	32	54	70	101	98,0	15	0,490
61	33,5	42	42,8	94	36	124,5	36	60	78	131	122,0	15	0,650
71	40,0	50	50,8	110	45	145,5	41	82	107	182	165,0	15	1,150
70	40,0	50	50,8	110	45	145,5	41	82	107	•	165,0	15	1,150
81	46,0	58	57,1	125	56	165,5	50	96	•	•	208,0	16	1,600
91	53,0	65	66,6	142	60	187,5	55	132	•	•	288,0	17	2,400
117	65,0	75	82,5	160	65	218,5	65	209	•	•	490,0	12	5,000

• not available

d <sub>2</sub> max.	d <sub>k</sub>	h	l <sub>1</sub> min.	l <sub>2</sub> ≈	Load ratings static C <sub>0</sub>			Tilt angle	Weight	
					Standard	-V	-L			dyn. C
mm	mm	mm	mm	mm	mm	kN	kN	kN	°	kg
19	11,1	33	19	42,5	4	•	•	7,5	13	0,013
21	12,7	36	21	46,5	6	•	•	10,0	13	0,019
25	15,8	42	25	54,5	10	12	19	17,0	13	0,032
29	19,0	48	28	62,5	15	19	27	24,5	13	0,054
33	22,2	54	32	70,5	23	25	35	33,0	13	0,085
37	25,4	60	36	78,5	24	34	46	43,0	15	0,125
43	28,5	66	37	87,5	33	43	57	54,0	15	0,185
47	31,7	72	41	95,5	39	49	77	66,0	15	0,260
51	34,9	78	45	103,5	42	50	78	80,0	15	0,340
55	38,1	84	48	111,5	54	70	101	98,0	15	0,435
61	42,8	94	55	124,5	60	78	131	122,0	15	0,590
71	50,8	110	66	145,5	82	107	182	165,0	15	1,060
81	57,1	140	85	180,5	96	•	•	208,0	16	1,640
91	66,6	150	90	195,5	132	•	•	288,0	17	2,300
117	82,5	185	105	219,5	209	•	•	490,0	12	4,800

• not available

**Mating materials:**  
**Stainless steel on high-duty bronze**  
**Maintenance required**

**Stainless steel**  
**DIN ISO 12240-4**  
**dimension series K**

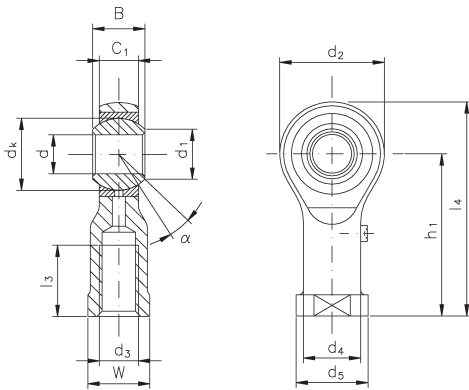
**Inner ring:** Stainless steel, hardened, ground and polished.

**Outer ring:** Sliding face made of high-duty bronze. Lubricant is distributed via the lubricating groove in the outer ring.

**Housing:** Stainless steel. The spherical bearing is pressed into the housing and caulked at both sides.

**Lubrication nipple:** Size 5 without lubrication nipple. Sizes 6 to 30 lubricating nipple DIN 3405, shape D. Further lubricating nipple shapes available on request.

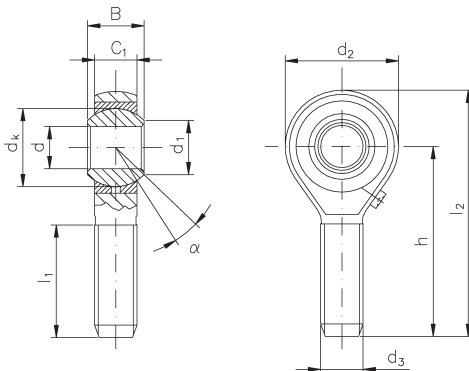
**Female thread**



Designation		d	d <sub>3</sub>	B	C <sub>1</sub>	d <sub>1</sub>
Righthand thread	Lefthand thread	mm	mm	mm	mm	≈ mm
KI 5-NR	KIL 5-NR	5	M5	8	6,00	7,7
KI 5-NRM4**		5	M4	8	6,00	7,7
KI 6-NR	KIL 6-NR	6	M6	9	6,75	8,9
KI 8-NR	KIL 8-NR	8	M8	12	9,00	10,3
KI 10-NR	KIL 10-NR	10	M10	14	10,50	12,9
KI 10-NRM10x1,25**		10	M10x1,25	14	10,50	12,9
KI 12-NR	KIL 12-NR	12	M12	16	12,00	15,4
KI 12-NRM12x1,25**		12	M12x1,25	16	12,00	15,4
KI 14-NR	KIL 14-NR	14	M14	19	13,50	16,8
KI 16-NR	KIL 16-NR	16	M16	21	15,00	19,3
KI 16-NRM16x1,5**		16	M16x1,5	21	15,00	19,3
KI 18-NR	KIL 18-NR	18	M18x1,5	23	16,50	21,8
KI 20-NR	KIL 20-NR	20	M20x1,5	25	18,00	24,3
KI 22-NR	KIL 22-NR	22	M22x1,5	28	20,00	25,8
KI 25-NR	KIL 25-NR	25	M24x2	31	22,00	29,5
KI 30-NR	KIL 30-NR	30	M30x2	37	25,00	34,8
KI 30-NRM27x2**		30	M27x2	37	25,00	34,8

\*\* ) connecting thread acc. to CETOP norm for pneumatic cylinder

**Male thread**



Designation		d	d <sub>3</sub>	B	C <sub>1</sub>	d <sub>1</sub>
Righthand thread	Lefthand thread	mm	mm	mm	mm	≈ mm
KA 5-NR	KAL 5-NR	5	M5	8	6,00	7,7
KA 6-NR	KAL 6-NR	6	M6	9	6,75	8,9
KA 8-NR	KAL 8-NR	8	M8	12	9,00	10,3
KA 10-NR	KAL 10-NR	10	M10	14	10,50	12,9
KA 12-NR	KAL 12-NR	12	M12	16	12,00	15,4
KA 14-NR	KAL 14-NR	14	M14	19	13,50	16,8
KA 16-NR	KAL 16-NR	16	M16	21	15,00	19,3
KA 18-NR	KAL 18-NR	18	M18x1,5	23	16,50	21,8
KA 20-NR	KAL 20-NR	20	M20x1,5	25	18,00	24,3
KA 22-NR	KAL 22-NR	22	M22x1,5	28	20,00	25,8
KA 25-NR	KAL 25-NR	25	M24x2	31	22,00	29,5
KA 30-NR	KAL 30-NR	30	M30x2	37	25,00	34,8

Sizes 18 and 22 only on request.


**Special versions:**
**- Version -R:**

as standard, but inner ring made of 100Cr6 hard chromium plated at sliding surface

Further versions are available on request

d <sub>2</sub> max. mm	d <sub>4</sub> ≈ mm	d <sub>5</sub> mm	dk mm	h <sub>1</sub> mm	l <sub>3</sub> min. mm	l <sub>4</sub> ≈ mm	W mm	Load rating static C <sub>0</sub> kN	dyn. C kN	Tilt angle α°	Weight kg
19	9,0	11	11,1	27	8	36,5	9	<b>6</b>	<b>3,5</b>	13	0,017
19	9,0	11	11,1	27	8	36,5	9	<b>6</b>	<b>3,5</b>	13	0,016
21	10,0	13	12,7	30	9	40,5	11	<b>7</b>	<b>4,5</b>	13	0,025
25	12,5	16	15,8	36	12	48,5	14	<b>10</b>	<b>7,0</b>	13	0,043
29	15,0	19	19,0	43	15	57,5	17	<b>13</b>	<b>10,0</b>	13	0,072
29	15,0	19	19,0	43	15	57,5	17	<b>13</b>	<b>10,0</b>	13	0,072
33	17,5	22	22,2	50	18	66,5	19	<b>15</b>	<b>13,5</b>	13	0,107
33	17,5	22	22,2	50	18	66,5	19	<b>15</b>	<b>13,5</b>	13	0,107
37	20,0	25	25,4	57	21	75,5	22	<b>22</b>	<b>17,0</b>	15	0,160
43	22,0	27	28,5	64	24	85,5	22	<b>28</b>	<b>21,5</b>	15	0,210
43	22,0	27	28,5	64	24	85,5	22	<b>28</b>	<b>21,5</b>	15	0,210
47	25,0	31	31,7	71	27	94,5	27	<b>35</b>	<b>26,0</b>	15	0,295
51	27,5	34	34,9	77	30	102,5	30	<b>41</b>	<b>31,5</b>	15	0,380
55	30,0	37	38,1	84	33	111,5	32	<b>51</b>	<b>38,0</b>	15	0,490
61	33,5	42	42,8	94	36	124,5	36	<b>58</b>	<b>47,0</b>	15	0,650
71	40,0	50	50,8	110	45	145,5	41	<b>80</b>	<b>64,0</b>	15	1,150
70	40,0	50	50,8	110	45	145,5	41	<b>80</b>	<b>64,0</b>	15	1,150

d <sub>2</sub> max. mm	dk mm	h mm	l <sub>1</sub> min. mm	l <sub>2</sub> ≈ mm	Load rating static C <sub>0</sub> kN	dyn. C kN	Tilt angle α°	Weight kg
19	11,1	33	19	42,5	<b>3</b>	<b>3,5</b>	13	0,013
21	12,7	36	21	46,5	<b>4</b>	<b>4,5</b>	13	0,019
25	15,8	42	25	54,5	<b>6</b>	<b>7,0</b>	13	0,032
29	19,0	48	28	62,5	<b>11</b>	<b>10,0</b>	13	0,054
33	22,2	54	32	70,5	<b>15</b>	<b>13,5</b>	13	0,085
37	25,4	60	36	78,5	<b>22</b>	<b>17,0</b>	15	0,125
43	28,5	66	37	87,5	<b>28</b>	<b>21,5</b>	15	0,185
47	31,7	72	41	95,5	<b>35</b>	<b>26,0</b>	15	0,260
51	34,9	78	45	103,5	<b>41</b>	<b>31,5</b>	15	0,340
55	38,1	84	48	111,5	<b>51</b>	<b>38,0</b>	15	0,435
61	42,8	94	55	124,5	<b>58</b>	<b>47,0</b>	15	0,590
71	50,8	110	66	145,5	<b>80</b>	<b>64,0</b>	15	1,060

**Mating materials:**  
**Stainless steel on PTFE**  
**Maintenance-free**

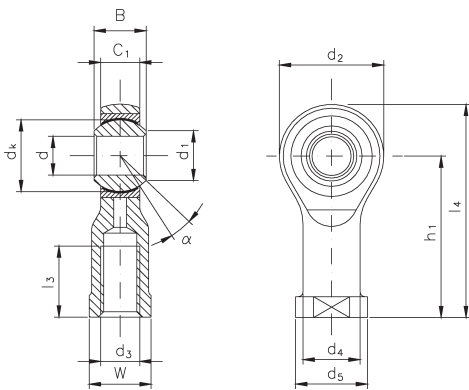
**Stainless steel**  
**DIN ISO 12240-4**  
**dimension series K**

**Inner ring:** Stainless steel, hardened, ground and polished.

**Outer ring:** Brass lined with an antifriction film, consisting of PTFE, outer diameter ground.

**Housing:** Stainless steel. The spherical bearing is pressed into the housing and caulked at both sides.

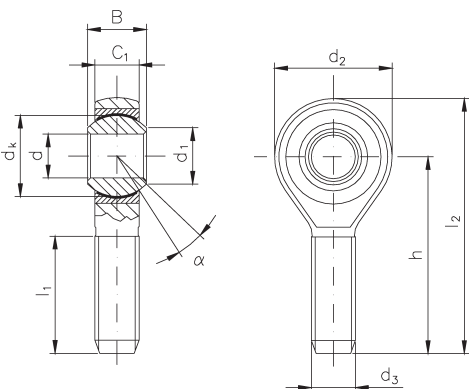
## Female thread



Designation		d	d <sub>3</sub>	B	C <sub>1</sub>	d <sub>1</sub>
Righthand thread	Lefthand thread	mm	mm	mm	mm	mm
KI 5-DNR	KIL 5-DNR	5	M5	8	6,00	7,7
KI 5-DNRM4**		5	M4	8	6,00	7,7
KI 6-DNR	KIL 6-DNR	6	M6	9	6,75	8,9
KI 8-DNR	KIL 8-DNR	8	M8	12	9,00	10,3
KI 10-DNR	KIL 10-DNR	10	M10	14	10,50	12,9
KI 10-DNRM10x1,25**		10	M10x1,25	14	10,50	12,9
KI 12-DNR	KIL 12-DNR	12	M12	16	12,00	15,4
KI 12-DNRM12x1,25**		12	M12x1,25	16	12,00	15,4
KI 14-DNR	KIL 14-DNR	14	M14	19	13,50	16,8
KI 16-DNR	KIL 16-DNR	16	M16	21	15,00	19,3
KI 16-DNRM16x1,5**		16	M16x1,5	21	15,00	19,3
KI 18-DNR	KIL 18-DNR	18	M18x1,5	23	16,50	21,8
KI 20-DNR	KIL 20-DNR	20	M20x1,5	25	18,00	24,3
KI 22-DNR	KIL 22-DNR	22	M22x1,5	28	20,00	25,8
KI 25-DNR	KIL 25-DNR	25	M24x2	31	22,00	29,5
KI 30-DNR	KIL 30-DNR	30	M30x2	37	25,00	34,8
KI 30-DNRM27x2**		30	M27x2	37	25,00	34,8

\*\*) connecting thread acc. to CETOP norm for pneumatic cylinder

## Male thread



Designation		d	d <sub>3</sub>	B	C <sub>1</sub>	d <sub>1</sub>
Righthand thread	Lefthand thread	mm	mm	mm	mm	mm
KA 5-DNR	KAL 5-DNR	5	M5	8	6,00	7,7
KA 6-DNR	KAL 6-DNR	6	M6	9	6,75	8,9
KA 8-DNR	KAL 8-DNR	8	M8	12	9,00	10,3
KA 10-DNR	KAL 10-DNR	10	M10	14	10,50	12,9
KA 12-DNR	KAL 12-DNR	12	M12	16	12,00	15,4
KA 14-DNR	KAL 14-DNR	14	M14	19	13,50	16,8
KA 16-DNR	KAL 16-DNR	16	M16	21	15,00	19,3
KA 18-DNR	KAL 18-DNR	18	M18x1,5	23	16,50	21,8
KA 20-DNR	KAL 20-DNR	20	M20x1,5	25	18,00	24,3
KA 22-DNR	KAL 22-DNR	22	M22x1,5	28	20,00	25,8
KA 25-DNR	KAL 25-DNR	25	M24x2	31	22,00	29,5
KA 30-DNR	KAL 30-DNR	30	M30x2	37	25,00	34,8

Sizes 18 and 22 only on request.


**Special versions:**

- **Version -DNRBF (NIRO copper alloys free):**  
 as standard, but outer ring made of stainless steel

- **Version -DR:**  
 as standard, but inner ring made of 100Cr6 hard chromium plated at sliding surface

Further versions are available on request

d <sub>2</sub> max. mm	d <sub>4</sub> ≈ mm	d <sub>5</sub> mm	dk mm	h <sub>1</sub> mm	l <sub>3</sub> min. mm	l <sub>4</sub> ≈ mm	W mm	Load rating static C <sub>0</sub> kN	dyn. C kN	Tilt angle α°	Weight kg
19	9,0	11	11,1	27	8	36,5	9	6	7,5	13	0,017
19	9,0	11	11,1	27	8	36,5	9	6	7,5	13	0,016
21	10,0	13	12,7	30	9	40,5	11	7	10,0	13	0,025
25	12,5	16	15,8	36	12	48,5	14	10	17,0	13	0,043
29	15,0	19	19,0	43	15	57,5	17	13	24,5	13	0,072
29	15,0	19	19,0	43	15	57,5	17	13	24,5	13	0,072
33	17,5	22	22,2	50	18	66,5	19	15	33,0	13	0,107
33	17,5	22	22,2	50	18	66,5	19	15	33,0	13	0,107
37	20,0	25	25,4	57	21	75,5	22	22	43,0	15	0,160
43	22,0	27	28,5	64	24	85,5	22	28	54,0	15	0,210
43	22,0	27	28,5	64	24	85,5	22	28	54,0	15	0,210
47	25,0	31	31,7	71	27	94,5	27	35	66,0	15	0,295
51	27,5	34	34,9	77	30	102,5	30	41	80,0	15	0,380
55	30,0	37	38,1	84	33	111,5	32	51	98,0	15	0,490
61	33,5	42	42,8	94	36	124,5	36	58	122,0	15	0,650
71	40,0	50	50,8	110	45	145,5	41	80	165,0	15	1,150
70	40,0	50	50,8	110	45	145,5	41	80	165,0	15	1,150

d <sub>2</sub> max. mm	dk mm	h mm	l <sub>1</sub> min. mm	l <sub>2</sub> ≈ mm	Load rating static C <sub>0</sub> kN	dyn. C kN	Tilt angle α°	Weight kg
19	11,1	33	19	42,5	4	7,5	13	0,013
21	12,7	36	21	46,5	6	10,0	13	0,019
25	15,8	42	25	54,5	8	17,0	13	0,032
29	19,0	48	28	62,5	12	24,5	13	0,054
33	22,2	54	32	70,5	15	33,0	13	0,085
37	25,4	60	36	78,5	22	43,0	15	0,125
43	28,5	66	37	87,5	28	54,0	15	0,185
47	31,7	72	41	95,5	35	66,0	15	0,260
51	34,9	78	45	103,5	41	80,0	15	0,340
55	38,1	84	48	111,5	51	98,0	15	0,435
61	42,8	94	55	124,5	58	122,0	15	0,590
71	50,8	110	66	145,5	80	165,0	15	1,060

## Ball bearing

Mounting sizes acc. to DIN ISO 12240-4 dimension series K

### Inner ring and outer ring:

Antifriction bearing steel, hardened, high precision machined.

### Housing:

Steel with bearing outer ring pressed into housing, raceway precision ground.

### Rolling element:

Balls made from through-hardened, antifriction bearing steel.

### Covering disc:

Stainless steel caulked into housing.

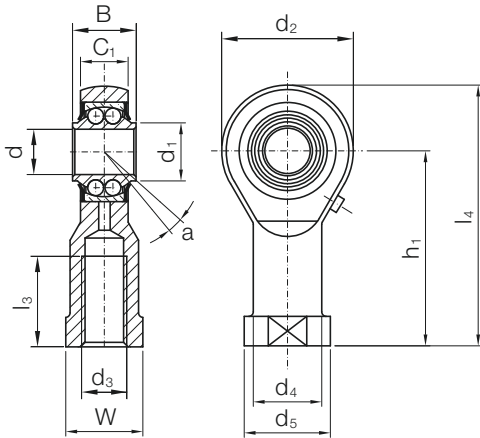
### Lubrication:

The rod ends are given initial lubrication.

### Note:

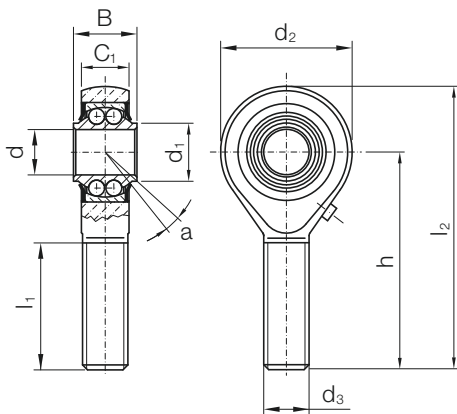
With these rod ends, it is important to ensure that the tilt angle specified in the table is not exceeded, either while mounting or during operation, otherwise the cover washers may be damaged.

## Female thread



Designation		d	d <sub>3</sub>	B	C <sub>1</sub>	d <sub>1</sub> ≈	d <sub>2</sub>
Righthand thread	Lefthand thread	mm	mm	mm	mm	mm	mm
KUI 6-ZZ	KUIL 6-ZZ	6	M6	9	6.75	8.0	21
KUI 8-ZZ	KUIL 8-ZZ	8	M8	12	9.00	10.0	25
KUI 10-ZZ	KUIL 10-ZZ	10	M10	14	10.50	12.4	29
KUI 12-ZZ	KUIL 12-ZZ	12	M12	16	12.00	14.6	33
KUI 14-ZZ	KUIL 14-ZZ	14	M14	19	13.50	16.4	37
KUI 16-ZZ	KUIL 16-ZZ	16	M16	21	15.00	18.7	43
KUI 18-ZZ	KUIL 18-ZZ	18	M18 x 1.5	23	16.50	22.0	47
KUI 20-ZZ	KUIL 20-ZZ	20	M20 x 1.5	25	18.00	24.0	51
KUI 22-ZZ	KUIL 22-ZZ	22	M22 x 1.5	28	20.00	26.0	55
KUI 25-ZZ	KUIL 25-ZZ	25	M24 x 2	31	22.00	29.8	61
KUI 30-ZZ	KUIL 30-ZZ	30	M30 x 2	37	25.00	35.6	71

## Male thread



Designation		d	d <sub>3</sub>	B	C <sub>1</sub>	d <sub>1</sub> ≈	d <sub>2</sub>
Righthand thread	Lefthand thread	mm	mm	mm	mm	mm	mm
KUA 6-ZZ	KUAL 6-ZZ	6	M6	9	6.75	8.0	21
KUA 8-ZZ	KUAL 8-ZZ	8	M8	12	9.00	10.0	25
KUA 10-ZZ	KUAL 10-ZZ	10	M10	14	10.50	12.4	29
KUA 12-ZZ	KUAL 12-ZZ	12	M12	16	12.00	14.6	33
KUA 14-ZZ	KUAL 14-ZZ	14	M14	14	13.50	16.4	37
KUA 16-ZZ	KUAL 16-ZZ	16	M16	21	15.00	18.7	43
KUA 18-ZZ	KUAL 18-ZZ	18	M18x1,5	23	16.50	22.0	47
KUA 20-ZZ	KUAL 20-ZZ	20	M20x1,5	25	18.00	24.0	51
KUA 22-ZZ	KUAL 22-ZZ	22	M22x1,5	28	20.00	26.0	55
KUA 25-ZZ	KUAL 25-ZZ	25	M24x2	31	22.00	29.8	61
KUA 30-ZZ	KUAL 30-ZZ	30	M30x2	37	25.00	35.6	71




**Max. permissible speed:**

This is affected by the bearing load, the bearing clearance, the lubricant and heat output and input. The maximum permissible speed given in the tables applies for a purely radial load, normal bearing clearance tolerance, no external heat, an operating temperature which is not above the limit, and a low and absolutely shock-free load.

**Cabrivating nipple:**

Size 6 to 10: DIN 3405  
 Size 12 to 30: DIN 71412

**Load ratings:**

calculated acc. to DIN ISO 76 and 281.

**Special versions:**

available on request

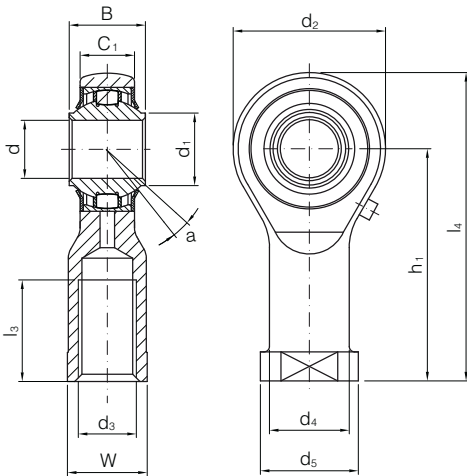
$d_4$ ≈	$d_5$	$h_1$	$l_3$ min.	$l_4$ ≈	W	Limiting speed	Load ratings bearing dynamic	Load ratings bearing static $C_0$	Tilt angle
mm	mm	mm	mm	mm	mm	min <sup>-1</sup>	kN	kN	α°
10.0	13.0	30	9	40.5	11	1300	1.83	0.36	7
12.5	16.0	36	12	48.5	14	1250	3.08	0.69	7
15.0	19.0	43	15	57.5	17	1200	3.91	0.94	7
17.5	22.0	50	18	66.5	19	1150	4.90	1.23	7
20.0	25.0	57	21	75.5	22	1000	5.00	1.36	7
22.0	27.0	64	24	85.5	22	950	5.20	1.55	7
25.0	31.0	71	27	94.5	27	850	6.49	1.97	7
27.5	34.0	77	30	102.5	30	800	6.70	2.17	7
30.0	37.0	84	33	111.5	32	725	7.23	2.39	7
32.5	42.0	94	36	124.5	36	550	10.90	3.05	7
40.0	50.8	110	45	145.5	41	425	14.88	5.01	7

h	$l_1$ min.	$l_2$ ≈	Limiting speed	Load ratings bearing dynamic C	Load ratings bearing static $C_0$	Tilt angle
mm	mm	mm	min <sup>-1</sup>	kN	kN	α°
36	21	46.5	1300	1.83	0.36	7
42	25	54.5	1250	3.08	0.69	7
48	28	62.5	1200	3.91	0.94	7
54	32	70.5	1150	4.90	1.23	7
60	36	78.5	1000	5.00	1.36	7
66	37	87.5	950	5.20	1.55	7
72	41	95.5	850	6.49	1.97	7
78	45	103.5	800	6.70	2.17	7
84	48	111.5	725	7.23	2.39	7
94	55	124.5	550	10.90	3.05	7
110	66	145.5	425	14.88	5.01	7

**Roller bearing**  
Mounting sizes acc.  
to DIN ISO 12240-4  
dimension series K

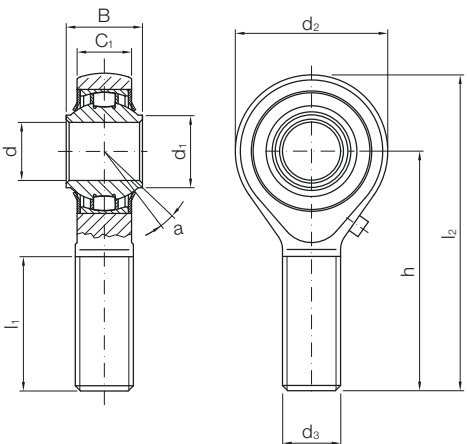
- Inner ring  
outer ring:** Antifriction bearing steel, hardened, high precision machined.
- Housing:** Steel with bearing outer ring pressed into housing, raceway precision ground.
- Rolling element:** Barrel roller bearings made from through-hardened, antifriction bearing steel.
- Retainer:** Synthetic material.
- Covering disc:** Stainless steel caulked into housing.
- Lubrication:** The rod ends are given initial lubrication.

## Female thread



Designation		d	d <sub>3</sub>	B	C <sub>1</sub>	d <sub>1</sub> ≈	d <sub>2</sub> max.	d <sub>4</sub>
Righthand thread	Lefthand thread	mm	mm	mm	mm	mm	mm	mm
KI 20202-ZZ	KIL 20202-ZZ	12	M12	16	12	14.6	33	17.5
KI 20203-ZZ	KIL 20203-ZZ	16	M16	21	15	18.7	43	22.0
KI 20204-ZZ	KIL 20204-ZZ	20	M20x1.5	25	18	24.15	51	27.5
KI 20205-ZZ	KIL 20205-ZZ	25	M24x2	31	22	29.8	61	33.5
KI 20206-ZZ	KIL 20206-ZZ	30	M30x2	37	25	35.6	71	40.0

## Male thread



Designation		d	d <sub>3</sub>	B	C <sub>1</sub>	d <sub>1</sub> ≈	d <sub>2</sub> max.	h
Righthand thread	Lefthand thread	mm	mm	mm	mm	mm	mm	mm
KA 20202-ZZ	KAL 20202-ZZ	12	M12	16	12	14.6	33	54
KA 20203-ZZ	KAL 20203-ZZ	16	M16	21	15	18.7	43	66
KA 20204-ZZ	KAL 20204-ZZ	20	M20x1.5	25	18	24.15	51	78
KA 20205-ZZ	KAL 20205-ZZ	25	M24x2	31	22	29.8	61	94
KA 20206-ZZ	KAL 20206-ZZ	30	M30x2	37	25	35.6	71	110



**Note:** With these rod ends, it is important to ensure that the tilt angle specified in the table is not exceeded, either while mounting or during operation, otherwise the sealing washers may be damaged.

**Max. permissible speed:** This is affected by the bearing load, the bearing clearance, the lubricant and heat output and input. The maximum permissible speed given in the tables applies for a purely radial load, normal bearing clearance tolerance, no external heat, an operating temperature which is not above the limit, and a low and absolutely shock-free load.

**Cabrivating nipple:** DIN 71412

**Load ratings:** calculated acc. to DIN ISO 76 and 281

**Special versions:**  
 - full complement (without retainer)  
 - sealing washer made of synthetic rubber-metal compound  
 Further versions are available on request.

d <sub>5</sub>	h <sub>1</sub>	l <sub>3</sub> min.	l <sub>4</sub> ≈	W	Limiting speed	Load ratings		Tilt angle
mm	mm	mm	mm	mm	min <sup>-1</sup>	bearing dynamic C	bearing static C <sub>0</sub>	α°
22	50	18	66.5	19	950	9.55	7.70	7
27	64	24	85.5	22	650	9.55	8.10	7
34	77	30	103.5	30	550	14.99	13.40	7
42	94	36	124.5	36	400	23.12	21.85	5
50	110	45	145.5	41	300	28.82	26.20	7

l <sub>1</sub> min.	l <sub>2</sub> ≈	Limiting speed	Load ratings		Tilt angle
mm	mm	min <sup>-1</sup>	bearing dynamic C	bearing static C <sub>0</sub>	α°
32	70.5	950	9.55	7.70	7
37	87.5	650	9.55	8.10	7
45	104.5	550	14.90	13.40	7
55	124.5	400	23.12	21.85	5
66	145.5	300	28.82	26.20	7

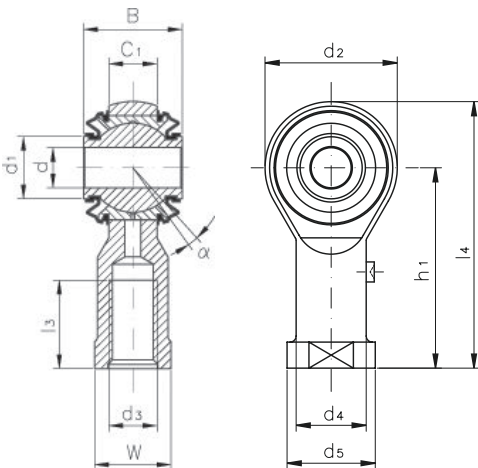
**Mating materials:**  
**Steel on steel**  
**Maintenance required**

**RS**  
 Special version  
 adjustable clearance  
 RS sealing

available on request

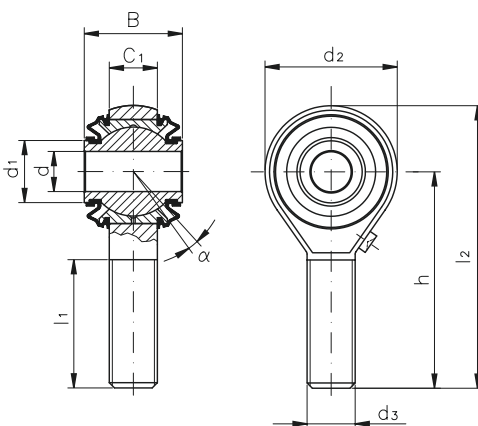
- Inner ring:** Antifriction bearing steel, hardened, ground and polished.
- Outer ring:** Made of heat-treated steel. Lubricant is distributed via the lubrication groove in the outer ring.
- Rubber bellows:** Synthetic rubber.
- Housing:** Sizes 8 to 12 free-cutting steel, sizes 14 to 30 tempering steel (standardised), all sizes galvanized and chromatised.
- Lubricating nipple:** DIN 3405, shape D, further lubricating nipple shapes available on request.
- Tolerances:** To DIN ISO 12240-4, schedule K, except:  $d = H8$ ,  $B = +0.3$
- Note:** With these rod ends, it is important to ensure that the tilt angle specified in the table is not exceeded, either while mounting or during operation, otherwise the rubber bellows may be damaged. Replacement for previous 2RS-version. Available on request.

## Female thread



Designation		d	d <sub>3</sub>	B	C <sub>1</sub>	d <sub>1</sub>
Righthand thread	Lefthand thread	mm	mm	mm	mm	mm
KI 8-RS	KIL 8-RS	6	M8	19	9,0	11,50
KI 10-RS	KIL 10-RS	8	M10	21	10,5	13,50
KI 12-RS	KIL 12-RS	10	M12	23	12,0	15,50
KI 14-RS	KIL 14-RS	12	M14	26	13,5	17,50
KI 16-RS	KIL 16-RS	14	M16	28	15,0	19,50
KI 18-RS	KIL 18-RS	16	M18x1,5	30	16,5	22,00
KI 20-RS	KIL 20-RS	18	M20x1,5	32	18,0	24,50
KI 22-RS	KIL 22-RS	20	M22x1,5	35	20,0	26,50
KI 25-RS	KIL 25-RS	22	M24x2	38	22,0	29,50
KI 30-RS	KIL 30-RS	25	M30x2	44	25,0	35,00

## Male thread



Designation		d	d <sub>3</sub>	B	C <sub>1</sub>	d <sub>1</sub>
Righthand thread	Lefthand thread	mm	mm	mm	mm	mm
KA 8-RS	KAL 8-RS	6	M8	19	9,0	11,50
KA 10-RS	KAL 10-RS	8	M10	21	10,5	13,50
KA 12-RS	KAL 12-RS	10	M12	23	12,0	15,50
KA 14-RS	KAL 14-RS	12	M14	26	13,5	17,50
KA 16-RS	KAL 16-RS	14	M16	28	15,0	19,50
KA 18-RS	KAL 18-RS	16	M18x1,5	30	16,5	22,00
KA 20-RS	KAL 20-RS	18	M20x1,5	32	18,0	24,50
KA 22-RS	KAL 22-RS	20	M22x1,5	35	20,0	26,50
KA 25-RS	KAL 25-RS	22	M24x2	38	22,0	29,50
KA 30-RS	KAL 30-RS	25	M30x2	44	25,0	35,00


**Special versions:**

- Mating materials steel on high-duty bronze.
  - Mating materials steel on steel with anti-friction coating.
- Further versions are available on request.

d <sub>2</sub> max. mm	d <sub>4</sub> mm	d <sub>5</sub> mm	h <sub>1</sub> mm	l <sub>3</sub> min. mm	l <sub>4</sub> ≈ mm	W mm	Load rating stat. C <sub>0</sub> kN	dyn. C kN	Tilt angle α°	Weight kg
25	12,5	16	36	12	48,5	14	<b>12</b>	<b>7,0</b>	9	0,066
29	15,0	19	43	15	57,5	17	<b>15</b>	<b>10,0</b>	9	0,118
33	17,5	22	50	18	66,5	19	<b>23</b>	<b>13,5</b>	9	0,162
37	20,0	25	57	21	75,5	22	<b>24</b>	<b>17,0</b>	10	0,235
43	22,0	27	64	24	85,5	22	<b>34</b>	<b>21,5</b>	10	0,285
47	25,0	31	71	27	94,5	27	<b>39</b>	<b>26,0</b>	10	0,385
51	27,5	34	77	30	102,5	30	<b>42</b>	<b>31,5</b>	10	0,500
55	30,0	37	84	33	111,5	32	<b>54</b>	<b>38,0</b>	10	0,615
61	33,5	42	94	36	124,5	36	<b>60</b>	<b>47,0</b>	10	0,800
71	40,0	50	110	45	145,5	41	<b>82</b>	<b>64,0</b>	12	1,210

d <sub>2</sub> max. mm	h mm	l <sub>1</sub> min. mm	l <sub>2</sub> ≈ mm	Load rating stat. C <sub>0</sub> kN	dyn. C kN	Tilt angle α°	Weight kg
25	42	25	54,5	<b>8</b>	<b>7,0</b>	9	0,055
29	48	28	62,5	<b>13</b>	<b>10,0</b>	9	0,100
33	54	32	70,5	<b>21</b>	<b>13,5</b>	9	0,140
37	60	36	78,5	<b>22</b>	<b>17,0</b>	10	0,200
43	66	37	87,5	<b>33</b>	<b>21,5</b>	10	0,260
47	72	41	95,5	<b>39</b>	<b>26,0</b>	10	0,350
51	78	45	103,5	<b>42</b>	<b>31,5</b>	10	0,460
55	84	48	111,5	<b>54</b>	<b>38,0</b>	10	0,560
61	94	55	124,5	<b>60</b>	<b>47,0</b>	10	0,740
71	110	66	145,5	<b>82</b>	<b>64,0</b>	12	1,120

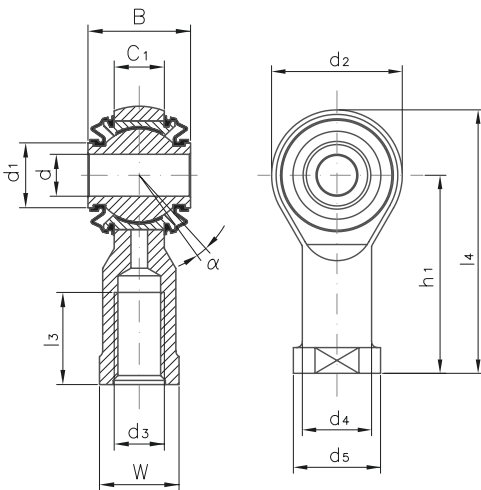
**Mating materials:**  
**Steel on PTFE**  
**Maintenance-free**

**RS**  
**Special version**  
**RS sealing**

available on request

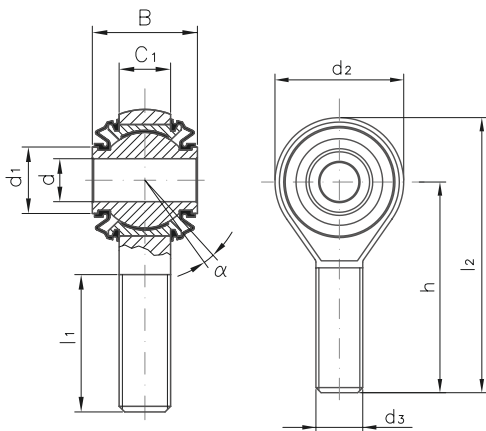
- Inner ring:** Antifriction bearing steel, hardened, ground and polished.
- Outer ring:** Steel lined with an antifriction film, consisting PTFE.
- Rubber bellows:** Synthetic rubber.
- Housing:** Sizes 8 to 12 free-cutting steel, sizes 14 to 30 tempering steel (standardised), all sizes galvanized and chromatised.
- Tolerances:** Acc. To DIN ISO 12240-4, schedule K, except:  $d = H8$ ,  $B = \pm 0.3$
- Note:** With these rod ends, it is important to ensure that the tilt angle specified in the table is not exceeded, either while mounting or during operation, otherwise the rubber bellows may be damaged. Replacement for previous 2RS-version. Available on request.

## Female thread



Designation		d	d <sub>3</sub>	B	C <sub>1</sub>	d <sub>1</sub>
Righthand thread	Lefthand thread	mm	mm	mm	mm	mm
KI 8-DRS	KIL 8-DRS	6	M8	19	9,0	11,5
KI 10-DRS	KIL 10-DRS	8	M10	21	10,5	13,5
KI 12-DRS	KIL 12-DRS	10	M12	23	12,0	15,5
KI 14-DRS	KIL 14-DRS	12	M14	26	13,5	17,5
KI 16-DRS	KIL 16-DRS	14	M16	28	15,0	19,5
KI 18-DRS	KIL 18-DRS	16	M18x1,5	30	16,5	22,0
KI 20-DRS	KIL 20-DRS	18	M20x1,5	32	18,0	24,5
KI 22-DRS	KIL 22-DRS	20	M22x1,5	35	20,0	26,5
KI 25-DRS	KIL 25-DRS	22	M24x2	38	22,0	29,5
KI 30-DRS	KIL 30-DRS	25	M30x2	44	25,0	35,0

## Male thread



Designation		d	d <sub>3</sub>	B	C <sub>1</sub>	d <sub>1</sub>
Righthand thread	Lefthand thread	mm	mm	mm	mm	mm
KA 8-DRS	KAL 8-DRS	6	M8	19	9,0	11,5
KA 10-DRS	KAL 10-DRS	8	M10	21	10,5	13,5
KA 12-DRS	KAL 12-DRS	10	M12	23	12,0	15,5
KA 14-DRS	KAL 14-DRS	12	M14	26	13,5	17,5
KA 16-DRS	KAL 16-DRS	14	M16	28	15,0	19,5
KA 18-DRS	KAL 18-DRS	16	M18x1,5	30	16,5	22,0
KA 20-DRS	KAL 20-DRS	18	M20x1,5	32	18,0	24,5
KA 22-DRS	KAL 22-DRS	20	M22x1,5	35	20,0	26,5
KA 25-DRS	KAL 25-DRS	22	M24x2	38	22,0	29,5
KA 30-DRS	KAL 30-DRS	25	M30x2	44	25,0	35,0



Special versions: available on request

d <sub>2</sub> max. mm	d <sub>4</sub> mm	d <sub>5</sub> mm	h <sub>1</sub> mm	l <sub>3</sub> min. mm	l <sub>4</sub> ≈ mm	W mm	Load rating		Tilt angle	Weight
							stat. C <sub>0</sub> kN	dyn. C kn	α°	kg
25	12,5	16	36	12	48,5	14	<b>12</b>	<b>17,0</b>	9	0,066
29	15,0	19	43	15	57,5	17	<b>15</b>	<b>24,5</b>	9	0,118
33	17,5	22	50	18	66,5	19	<b>23</b>	<b>33,0</b>	9	0,162
37	20,0	25	57	21	75,5	22	<b>24</b>	<b>43,0</b>	10	0,235
43	22,0	27	64	24	85,5	22	<b>34</b>	<b>54,0</b>	10	0,285
47	25,0	31	71	27	94,5	27	<b>39</b>	<b>66,0</b>	10	0,385
51	27,5	34	77	30	102,5	30	<b>42</b>	<b>80,0</b>	10	0,500
55	30,0	37	84	33	111,5	32	<b>54</b>	<b>98,0</b>	10	0,615
61	33,5	42	94	36	124,5	36	<b>60</b>	<b>122,0</b>	10	0,800
71	40,0	50	110	45	145,5	41	<b>82</b>	<b>165,0</b>	12	1,210

d <sub>2</sub> max. mm	h	l <sub>1</sub> min. mm	l <sub>2</sub> ≈ mm	Load rating		Tilt angle	Weight
	mm			stat. C <sub>0</sub> kN	dyn. C kN	α°	kg
25	42	25	54,5	<b>10</b>	<b>17,0</b>	9	0,055
29	48	28	62,5	<b>15</b>	<b>24,5</b>	9	0,100
33	54	32	70,5	<b>23</b>	<b>33,0</b>	9	0,140
37	60	36	78,5	<b>24</b>	<b>43,0</b>	10	0,200
43	66	37	87,5	<b>33</b>	<b>54,0</b>	10	0,260
47	72	41	95,5	<b>39</b>	<b>66,0</b>	10	0,350
51	78	45	103,5	<b>42</b>	<b>80,0</b>	10	0,460
55	84	48	111,5	<b>54</b>	<b>98,0</b>	10	0,560
61	94	55	124,5	<b>60</b>	<b>122,0</b>	10	0,740
71	110	66	145,5	<b>82</b>	<b>165,0</b>	12	1,120

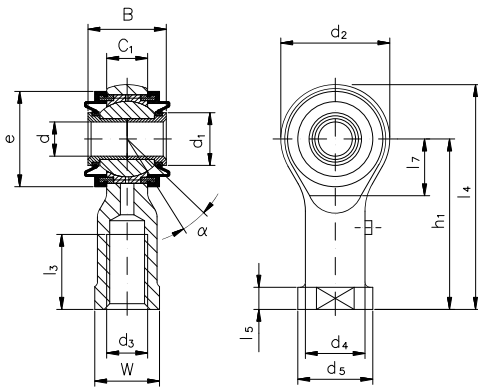
# ASKUBAL® Heavy-duty rod ends

**Mating materials:**  
**Steel on high-duty bronze**  
**Maintenance required**

**2RS version**  
**Special version**  
**2RS sealing**

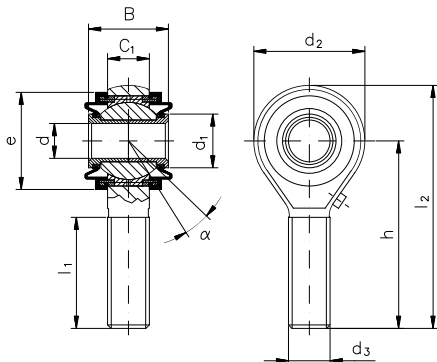
- Inner ring:** Antifriction bearing steel, hardened, ground and polished.
- Bearing shells:** Both shells made of heavy duty bronze have a male thread and are screwed into the housing together with the inner ring, secured with the rubber belows.
- Rubber belows:** Synthetic rubber with vulcanised brass slipping and steel locknut.
- Housing:** Sizes 8 to 12 free-cutting steel, sizes 14 to 30 tempering steel (standardised), all sizes galvanised and chromatised.
- Bushings:** Tempering steel, hardened, bore and outside diameter ground, pressed into the inner ring. They are only used as intake of the brass abrasive rings of the rubber belows. Due to their low thickness they are not decicated to transmit radial and axial forces into the spherical bearing.
- Lubricating nipple:** DIN 3405 shape D, further lubricating nipple shapes available on request.
- Tolerances:** To DIN ISO 12240-4, schedule K, except:  $d = H10$ ,  $B = + - 0,3$

## Female thread



Designation		d	d <sub>3</sub>	B	C <sub>1</sub>
Right-hand thread	Left-hand thread	mm			
KI 8-STK2RS	KIL 8-STK2RS	6	M8	19	9,0
KI 10-STK2RS	KIL 10-STK2RS	8	M10	21	10,5
KI 12-STK2RS	KIL 12-STK2RS	10	M12	23	12,0
KI 14-STK2RS	KIL 14-STK2RS	12	M14	26	13,5
KI 16-STK2RS	KIL 16-STK2RS	14	M16	28	15,0
KI 18-STK2RS	KIL 18-STK2RS	16	M18x1,5	30	16,5
KI 20-STK2RS	KIL 20-STK2RS	18	M20x1,5	32	18,0
KI 22-STK2RS	KIL 22-STK2RS	20	M22x1,5	35	20,0
KI 25-STK2RS	KIL 25-STK2RS	22	M24x2	38	22,0
KI 30-STK2RS	KIL 30-STK2RS	25	M30x2	44	25,0

## Male thread



Designation		d	d <sub>3</sub>	B	C <sub>1</sub>
Right-hand thread	Left-hand thread	mm			
KA 8-STK2RS	KAL 8-STK2RS	6	M8	19	9,0
KA 10-STK2RS	KAL 10-STK2RS	8	M10	21	10,5
KA 12-STK2RS	KAL 12-STK2RS	10	M12	23	12,0
KA 14-STK2RS	KAL 14-STK2RS	12	M14	26	13,5
KA 16-STK2RS	KAL 16-STK2RS	14	M16	28	15,0
KA 18-STK2RS	KAL 18-STK2RS	16	M18x1,5	30	16,5
KA 20-STK2RS	KAL 20-STK2RS	18	M20x1,5	32	18,0
KA 22-STK2RS	KAL 22-STK2RS	20	M22x1,5	35	20,0
KA 25-STK2RS	KAL 25-STK2RS	22	M24x2	38	22,0
KA 30-STK2RS	KAL 30-STK2RS	25	M30x2	44	25,0





**Note:** With these rod ends, it is important to ensure that the tilt angle specified in the table is not exceeded, either while mounting or during operation, otherwise the rubber bellows may be damaged

**Special versions:** available on request.

d <sub>1</sub>	d <sub>2</sub>	d <sub>4</sub>	d <sub>5</sub>	e	h <sub>1</sub>	l <sub>3</sub>	l <sub>4</sub> ≈	W	Load ratings		Tilt angle α°	Weight kg
									stat. C <sub>0</sub> kN	dyn. C kn		
	max			≈		min						
10,5	25	12,5	16	20	36	12	48,5	14	12	7,0	9	0,066
13,0	29	15,0	19	24	43	15	57,5	17	15	10,0	9	0,118
15,5	33	17,5	22	28	50	18	66,5	19	23	13,5	9	0,162
17,0	37	20,0	25	30	57	21	75,5	22	24	17,0	10	0,235
19,5	43	22,0	27	34	64	24	85,5	22	34	21,5	10	0,285
22,0	47	25,0	31	37	71	27	94,5	27	39	26,0	10	0,385
24,5	51	27,5	34	40	77	30	102,5	30	42	31,5	10	0,500
26,0	55	30,0	37	44	84	33	111,5	32	54	38,0	10	0,615
29,5	61	33,5	42	50	94	36	124,5	36	60	47,0	10	0,800
35,0	71	40,0	50	58	110	45	145,5	41	82	64,0	12	1,210

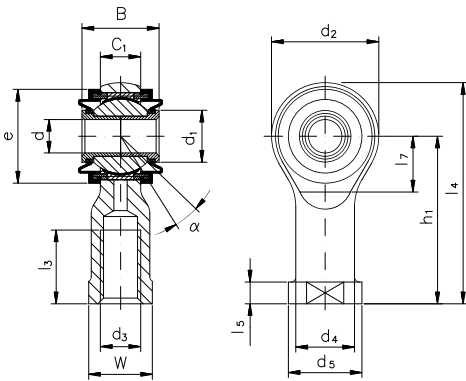
d <sub>1</sub>	d <sub>2</sub>	e	h	l <sub>1</sub>	l <sub>2</sub> ≈	Load ratings		Tilt angle α°	Weight kg
						stat. C <sub>0</sub> kN	dyn. C kN		
	max	≈		min					
10,5	25	20	42	25	54,5	8	7,0	9	0,055
13,0	29	24	48	28	62,5	13	10,0	9	0,100
15,5	33	28	54	32	70,5	21	13,5	9	0,140
17,0	37	30	60	36	78,5	22	17,0	10	0,200
19,5	43	34	66	37	87,5	33	21,5	10	0,260
22,0	47	37	72	41	95,5	39	26,0	10	0,350
24,5	51	40	78	45	103,5	42	31,5	10	0,460
26,0	55	44	84	48	111,5	54	38,0	10	0,560
29,5	61	50	94	55	124,5	60	47,0	10	0,740
35,0	71	58	110	66	145,5	82	64,0	12	1,120

**Mating materials:**  
**Steel on PTFE**  
**Maintenance-free**

**2RS version**  
**Special version**  
**2RS sealing**

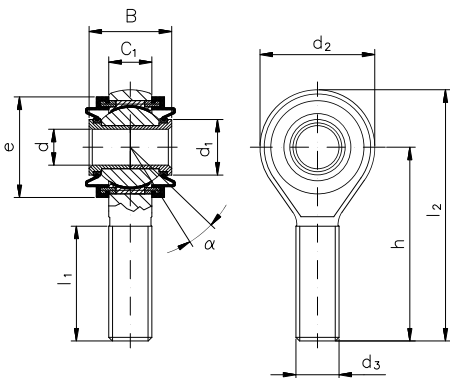
- Inner ring:** Antifriction bearing steel, hardened, ground and polished.
- Outer ring:** Brass lined with an antifriction film, consisting PTFE, cold formed around inner ring, outside diameter with thread, screwed into housing and secured with the rubber bellows.
- Rubber bellows:** Synthetic rubber with vulcanised brass sliping and steel locknut.
- Housing:** Sizes 8 to 12 free-cutting steel, sizes 14 to 30 tempering steel (standardised), all sizes galvanised and chromatised.
- Bushings:** Tempering steel, hardened, bore and outside diameter ground, pressed into the inner ring. They are only used as intake of the brass abrasive rings of the rubber bellows. Due to their low thickness they are not decicated to transmit radial and axial forces into the spherical bearing.

## Female thread



Designation		d	d <sub>3</sub>	B	C <sub>1</sub>
Right-hand thread	Left-hand thread	mm			
KI 8-D2RS	KIL 8-D2RS	6	M8	19	9,0
KI 10-D2RS	KIL 10-D2RS	8	M10	21	10,5
KI 12-D2RS	KIL 12-D2RS	10	M12	23	12,0
KI 14-D2RS	KIL 14-D2RS	12	M14	26	13,5
KI 16-D2RS	KIL 16-D2RS	14	M16	28	15,0
KI 18-D2RS	KIL 18-D2RS	16	M18x1,5	30	16,5
KI 20-D2RS	KIL 20-D2RS	18	M20x1,5	32	18,0
KI 22-D2RS	KIL 22-D2RS	20	M22x1,5	35	20,0
KI 25-D2RS	KIL 25-D2RS	22	M24x2	38	22,0
KI 30-D2RS	KIL 30-D2RS	25	M30x2	44	25,0

## Male thread



Designation		d	d <sub>3</sub>	B	C <sub>1</sub>
Right-hand thread	Left-hand thread	mm			
KA 8-D2RS	KAL 8-D2RS	6	M8	19	9,0
KA 10-D2RS	KAL 10-D2RS	8	M10	21	10,5
KA 12-D2RS	KAL 12-D2RS	10	M12	23	12,0
KA 14-D2RS	KAL 14-D2RS	12	M14	26	13,5
KA 16-D2RS	KAL 16-D2RS	14	M16	28	15,0
KA 18-D2RS	KAL 18-D2RS	16	M18x1,5	30	16,5
KA 20-D2RS	KAL 20-D2RS	18	M20x1,5	32	18,0
KA 22-D2RS	KAL 22-D2RS	20	M22x1,5	35	20,0
KA 25-D2RS	KAL 25-D2RS	22	M24x2	38	22,0
KA 30-D2RS	KAL 30-D2RS	25	M30x2	44	25,0



**Tolerances:** Acc. to DIN ISO 12240-4, schedule K, except: d = H10, B = +- 0,3

**Note:** With these rod ends, it is important to ensure that the tilt angle specified in the table is not exceeded, either while mounting or during operation, otherwise the rubber bellows may be damaged.

**Special versions:** available on request.

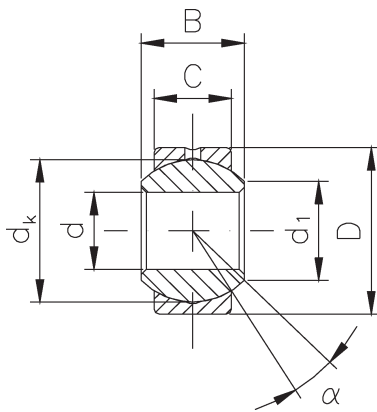
d <sub>1</sub>	d <sub>2</sub>	d <sub>4</sub>	d <sub>5</sub>	e	h <sub>1</sub>	l <sub>3</sub>	l <sub>4</sub> ≈	W	Load ratings		Tilt angle α°	Weight kg
									stat. C <sub>0</sub> kN	dyn. C kN		
	max			≈		min						
10,5	25	12,5	16	20	36	12	48,5	14	12	17,0	9	0,066
13,0	29	15,0	19	24	43	15	57,5	17	15	24,5	9	0,118
15,5	33	17,5	22	28	50	18	66,5	19	23	33,0	9	0,162
17,0	37	20,0	25	30	57	21	75,5	22	24	43,0	10	0,235
19,5	43	22,0	27	34	64	24	85,5	22	34	54,0	10	0,285
22,0	47	25,0	31	37	71	27	94,5	27	39	66,0	10	0,385
24,5	51	27,5	34	40	77	30	102,5	30	42	80,0	10	0,500
26,0	55	30,0	37	44	84	33	111,5	32	54	98,0	10	0,615
29,5	61	33,5	42	50	94	36	124,5	36	60	122,0	10	0,800
35,0	71	40,0	50	58	110	45	145,5	41	82	165,0	12	1,210

d <sub>1</sub>	d <sub>2</sub>	e	h	l <sub>1</sub>	l <sub>2</sub> ≈	Load ratings		Tilt angle α°	Weight kg
						stat. C <sub>0</sub> kN	dyn. C kN		
	max	≈		min					
10,5	25	20	42	25	54,5	10	17,0	9	0,055
13,0	29	24	48	28	62,5	15	24,5	9	0,100
15,5	33	28	54	32	70,5	23	33,0	9	0,140
17,0	37	30	60	36	78,5	24	43,0	10	0,200
19,5	43	34	66	37	87,5	33	54,0	10	0,260
22,0	47	37	72	41	95,5	39	66,0	10	0,350
24,5	51	40	78	45	103,5	42	80,0	10	0,460
26,0	55	44	84	48	111,5	54	98,0	10	0,560
29,5	61	50	94	55	124,5	60	122,0	10	0,740
35,0	71	58	110	66	145,5	82	165,0	12	1,120

**Mating materials:**  
**Steel on heavy-duty bronze**  
**Maintenance required**

**Type G**  
 DIN ISO 12240-1  
 dimension series K

- Inner ring:** Antifriction bearing steel, hardened, ground and polished.
- Outer ring:** Outer diameter ground. Sliding face made of high-duty bronze. Lubricant is distributed via the lubricating groove in the outer ring.
- Lubrication:** The lubricant enters the lubricating groove through a cross hole in the outer ring.
- Special versions:** are available on request e.g.:  
 - Sliding face of inner ring hard chromium plated.



Designation	d mm	d <sub>1</sub> ≈ mm	B mm	C mm	D mm	d <sub>k</sub> mm	Load rating		Tilt angle α°	Weight kg
							stat. C <sub>0</sub> kN	dyn. C kN		
G 3	3	5,1	6	4,50	10	7,9	8	1,8	13	0,004
G 5	5	7,7	8	6,00	13	11,1	15	3,5	13	0,007
G 6	6	8,9	9	6,75	16	12,7	19	4,5	13	0,010
G 8	8	10,3	12	9,00	19	15,8	31	7,0	13	0,016
G 10	10	12,9	14	10,50	22	19,0	43	10,0	13	0,031
G 12	12	15,4	16	12,00	26	22,2	58	13,5	13	0,065
G 14	14	16,8	19	13,50	28	25,4	74	17,0	15	0,090
G 16	16	19,3	21	15,00	32	28,5	92	21,5	15	0,100
G 18	18	21,8	23	16,50	35	31,7	112	26,0	15	0,125
G 20	20	24,3	25	18,00	40	34,9	135	31,5	15	0,180
G 22	22	25,8	28	20,00	42	38,1	164	38,0	15	0,210
G 25	25	29,5	31	22,00	47	42,8	203	47,0	15	0,295
G 30	30	34,8	37	25,00	55	50,8	273	64,0	15	0,425
G 35	35	37,7*	43	28,00*	62*	57,1	344	80,0	16	0,500
G 40	40	45,2*	49	33,00*	75*	66,6	473	110,0	17	0,900
G 50	50	56,6*	60	45,00	90	82,5	798	186,0	12	1,640

\*) deviates from standard

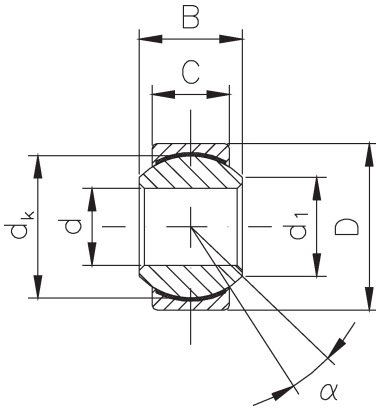
**Mating materials:**  
**Steel on PTFE**  
**Maintenance-free**

**Type G**  
 DIN ISO 12240-1  
 dimension series K

**Inner ring:** Antifriction bearing steel, hardened, ground and polished.

**Outer ring:** Steel lined with an antifriction film, consisting of PTFE, outer diameter ground.

**Special versions:** are available on request e.g.:  
 - Sliding face of inner ring hard chromium plated.



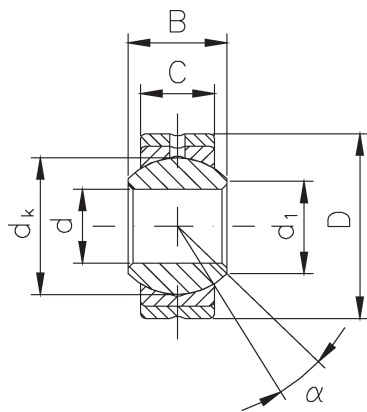
Designation	d mm	d <sub>1</sub> ≈ mm	B mm	C mm	D mm	dk mm	Load rating		Tilt angle α°	Weight kg
							stat. C <sub>0</sub> kN	dyn. C kN		
G 5-D	5	7,7	8	6,00	13	11,1	14	7,5	13	0,007
G 6-D	6	8,9	9	6,75	16	12,7	18	10,0	13	0,010
G 8-D	8	10,3	12	9,00	19	15,8	30	17,0	13	0,016
G 10-D	10	12,9	14	10,50	22	19,0	42	24,5	13	0,031
G 12-D	12	15,4	16	12,00	26	22,2	56	33,0	13	0,065
G 14-D	14	16,8	19	13,50	28	25,4	72	43,0	15	0,090
G 16-D	16	19,3	21	15,00	32	28,5	90	54,0	15	0,100
G 18-D	18	21,8	23	16,50	35	31,7	110	66,0	15	0,125
G 20-D	20	24,3	25	18,00	40	34,9	132	80,0	15	0,180
G 22-D	22	25,8	28	20,00	42	38,1	160	98,0	15	0,210
G 25-D	25	29,5	31	22,00	47	42,8	198	122,0	15	0,295
G 30-D	30	34,8	37	25,00	55	50,8	267	165,0	15	0,425
G 35-D	35	37,7*	43	28,00*	62*	57,1	336	208,0	16	0,500
G 40-D	40	45,2*	49	33,00*	75*	66,6	462	288,0	17	0,900
G 50-D	50	56,6*	60	45,00	90	82,5	780	490,0	12	1,640

\*) deviates from standard

**Mating materials:**  
**Steel on heavy-duty bronze**  
**Maintenance required**

## Type S Special version

- Inner ring:** Antifriction bearing steel, hardened, ground and polished.
- Outer ring:** Outer diameter ground. Sliding face made of high-duty bronze. Lubricant is distributed via the lubricating groove in the outer ring.
- Outer case:** Steel, outer diameter ground. Spherical bearing is pressed into the outer case and secured at both sides against axial movement. However the two outer rings should be axial supported at mounting.
- Lubrication:** The lubricant enters the lubricating groove through a cross hole in the outer case.
- Special versions:** are available on request e.g.:  
 - Sliding face of inner ring hard chromium plated.  
 - Outer case made of stainless steel.

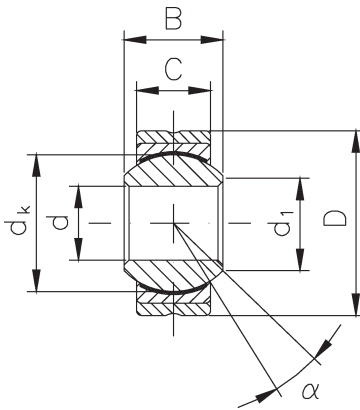


Designation	d mm	d <sub>1</sub> ≈ mm	B mm	C mm	D mm	dk mm	Load rating		Tilt angle α°	Weight kg
							stat. C <sub>0</sub> kN	dyn. C kN		
S 3	3	5,1	6	4,50	12	7,9	8	1,8	13	0,005
S 5	5	7,7	8	6,00	16	11,1	15	3,5	13	0,009
S 6	6	8,9	9	6,75	18	12,7	19	4,5	13	0,013
S 8	8	10,3	12	9,00	22	15,8	31	7,0	13	0,024
S 10	10	12,9	14	10,50	26	19,0	43	10,0	13	0,040
S 12	12	15,4	16	12,00	30	22,2	58	13,5	13	0,080
S 14	14	16,8	19	13,50	34	25,4	74	17,0	15	0,100
S 16	16	19,3	21	15,00	38	28,5	92	21,5	15	0,130
S 18	18	21,8	23	16,50	42	31,7	112	26,0	15	0,170
S 20	20	24,3	25	18,00	46	34,9	135	31,5	15	0,230
S 22	22	25,8	28	20,00	50	38,1	164	38,0	15	0,280
S 25	25	29,5	31	22,00	56	42,8	203	47,0	15	0,390
S 30	30	34,8	37	25,00	66	50,8	273	64,0	15	0,610

**Mating materials:**  
**Steel on PTFE**  
**Maintenance-free**

## Type S Special version

- Inner ring:** Antifriction bearing steel, hardened, ground and polished.
- Outer ring:** Steel lined with an antifriction film, consisting of PTFE, outer diameter ground.
- Outer case:** Steel, outer diameter ground. Spherical bearing is pressed into the outer case and secured at both sides against axial movement.
- Special versions:** are available on request e.g.:  
 - Sliding face of inner ring hard chromium plated.  
 - Outer case made of stainless steel.

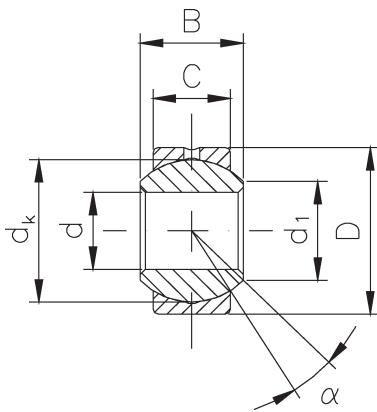


Designation	d mm	d <sub>1</sub> ≈ mm	B mm	C mm	D mm	dk mm	Load rating		Tilt angle α°	Weight kg
							stat. C <sub>0</sub> kN	dyn. C kN		
S 5-D	5	7,7	8	6,00	16	11,1	14	7,5	13	0,009
S 6-D	6	8,9	9	6,75	18	12,7	18	10,0	13	0,013
S 8-D	8	10,3	12	9,00	22	15,8	30	17,0	13	0,024
S 10-D	10	12,9	14	10,50	26	19,0	42	24,5	13	0,040
S 12-D	12	15,4	16	12,00	30	22,2	56	33,0	13	0,080
S 14-D	14	16,8	19	13,50	34	25,4	72	43,0	15	0,110
S 16-D	16	19,3	21	15,00	38	28,5	90	54,0	15	0,130
S 18-D	18	21,8	23	16,50	42	31,7	110	66,0	15	0,170
S 20-D	20	24,3	25	18,00	46	34,9	132	80,0	15	0,230
S 22-D	22	25,8	28	20,00	50	38,1	160	98,0	15	0,280
S 25-D	25	29,5	31	22,00	56	42,8	198	122,0	15	0,390
S 30-D	30	34,8	37	25,00	66	50,8	267	165,0	15	0,610

**Mating materials:**  
**Stainless steel on**  
**heavy-duty bronze**  
**Maintenance required**

**Stainless steel**  
 Type G  
 DIN ISO 12240-1  
 dimension series K

- Inner ring:** Stainless steel, hardened, ground and polished.
- Outer ring:** Bronze, outer diameter ground. Sliding face made of high-duty bronze. Lubricant is distributed via the lubricating groove in the outer ring.
- Lubrication:** The lubricant enters the lubricating groove through a cross hole in the outer ring.
- Special versions:** - **Version -R:** as standard, but inner ring made of 100 Cr6 hard chromium plated at sliding surface.  
 Further versions are available on request.



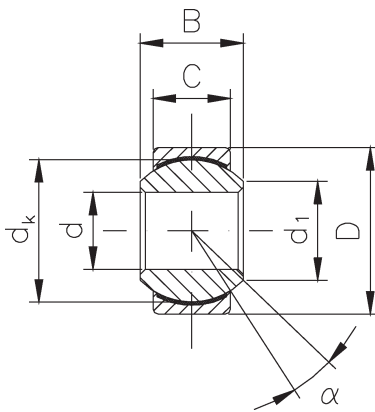
Designation	d mm	d <sub>1</sub> ≈ mm	B mm	C mm	D mm	dk mm	Load rating		Tilt angle α°	Weight kg
							stat. C <sub>0</sub> kN	dyn. C kN		
G 5-NR	5	7,7	8	6,00	13	11,1	15	3,5	13	0,007
G 6-NR	6	8,9	9	6,75	16	12,7	19	4,5	13	0,010
G 8-NR	8	10,3	12	9,00	19	15,8	31	7,0	13	0,016
G 10-NR	10	12,9	14	10,50	22	19,0	43	10,0	13	0,031
G 12-NR	12	15,4	16	12,00	26	22,2	58	13,5	13	0,065
G 14-NR	14	16,8	19	13,50	28	25,4	74	17,0	15	0,090
G 16-NR	16	19,3	21	15,00	32	28,5	92	21,5	15	0,100
G 18-NR	18	21,8	23	16,50	35	31,7	112	26,0	15	0,125
G 20-NR	20	24,3	25	18,00	40	34,9	135	31,5	15	0,180
G 22-NR	22	25,8	28	20,00	42	38,1	164	38,0	15	0,210
G 25-NR	25	29,5	31	22,00	47	42,8	203	47,0	15	0,295
G 30-NR	30	34,8	37	25,00	55	50,8	273	64,0	15	0,425



**Mating materials:**  
**Stainless steel on PTFE**  
**Maintenance-free**

**Stainless steel**  
 Type G  
 DIN ISO 12240-1  
 dimension series K

- Inner ring:** Stainless steel, hardened, ground and polished.
- Outer ring:** Brass lined with an antifriction film, consisting of PTFE, outer diameter ground.
- Special versions:**
- **Version -DNRBF (NIRO copper alloys free):**  
as standard, but outer ring made of stainless steel.
  - **Version -DR:**  
as standard, but inner ring made of 100 Cr6 hard chromium plated at sliding surface.
- Further versions are available on request.

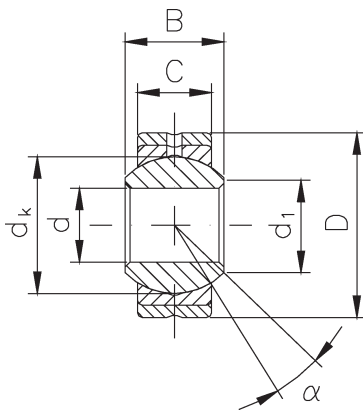


Designation	d mm	d <sub>1</sub> mm ≈	B mm	C mm	D mm	dk mm	Load rating		Tilt angle α°	Weight kg
							stat. C <sub>0</sub> kN	dyn. C kN		
G 5-DNR	5	7,7	8	6,00	13	11,1	14	7,5	13	0,007
G 6-DNR	6	8,9	9	6,75	16	12,7	18	10,0	13	0,010
G 8-DNR	8	10,3	12	9,00	19	15,8	30	17,0	13	0,016
G 10-DNR	10	12,9	14	10,50	22	19,0	42	24,5	13	0,031
G 12-DNR	12	15,4	16	12,00	26	22,2	56	33,0	13	0,065
G 14-DNR	14	16,8	19	13,50	28	25,4	72	43,0	15	0,090
G 16-DNR	16	19,3	21	15,00	32	28,5	90	54,0	15	0,100
G 18-DNR	18	21,8	23	16,50	35	31,7	110	66,0	15	0,125
G 20-DNR	20	24,3	25	18,00	40	34,9	132	80,0	15	0,180
G 22-DNR	22	25,8	28	20,00	42	38,1	160	98,0	15	0,210
G 25-DNR	25	29,5	31	22,00	47	42,8	198	122,0	15	0,295
G 30-DNR	30	34,8	37	25,00	55	50,8	267	165,0	15	0,425

**Mating materials:**  
**Stainless steel on**  
**heavy-duty bronze**  
**Maintenance required**

**Stainless steel**  
**Special version type S**

- Inner ring:** Stainless steel, hardened, ground and polished.
- Outer ring:** Bronze, outer diameter ground. Sliding face made of high-duty bronze. Lubricant is distributed via the lubricating groove in the outer ring.
- Outer case:** Stainless steel, outer diameter ground. Spherical bearing is pressed into the outer case and secured at both sides against axial movement.
- Lubrication:** The lubricant enters the lubricating groove through a cross hole in the outer case.
- Special versions:** - **Version -R:**  
as standard, but inner ring made of 100 Cr6 hard chromium plated at sliding surface.
- Further versions are available on request.

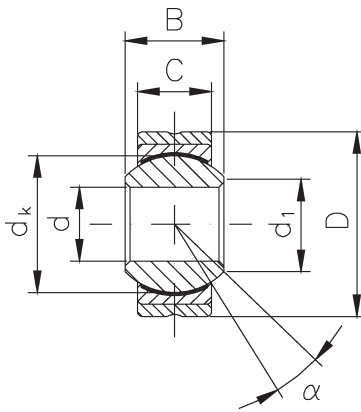


Designation	d	d <sub>1</sub>	B	C	D	dk	Load rating		Tilt angle α°	Weight kg
	mm	≈ mm					stat. C <sub>0</sub> kN	dyn. C kN		
S 6-NR	6	8,9	9	6,75	18	12,7	19	4,5	13	0,013
S 8-NR	8	10,3	12	9,00	22	15,8	31	7,0	13	0,024
S 10-NR	10	12,9	14	10,50	26	19,0	43	10,0	13	0,040
S 12-NR	12	15,4	16	12,00	30	22,2	58	13,5	13	0,080
S 14-NR	14	16,8	19	13,50	34	25,4	74	17,0	15	0,110
S 16-NR	16	19,3	21	15,00	38	28,5	92	21,5	15	0,130
S 18-NR	18	21,8	23	16,50	42	31,7	131	26,0	15	0,170
S 20-NR	20	24,3	25	18,00	46	34,9	157	31,5	15	0,230
S 22-NR	22	25,8	28	20,00	50	38,1	164	38,0	15	0,280
S 25-NR	25	29,5	31	22,00	56	42,8	203	47,0	15	0,390
S 30-NR	30	34,8	37	25,00	66	50,8	273	64,0	15	0,610

Mating materials:  
Stainless steel on PTFE  
Maintenance-free

## Stainless steel Special version type S

- Inner ring:** Stainless steel, hardened, ground and polished.
- Outer ring:** Brass lined with an antifriction film, consisting of PTFE, cold formed around inner ring, outside diameter ground.
- Outer case:** Stainless steel, outer diameter ground. Spherical bearing is pressed into the outer case and secured at both sides against axial movement.
- Special versions:**
- **Version -DNRBF (NIRO copper alloys free):**  
as standard, but outer ring made of stainless steel.
  - **Version -DR:**  
as standard, but inner ring made of 100 Cr6 hard chromium plated at sliding surface.
- Further versions are available on request.



Designation	d mm	d <sub>1</sub> ≈ mm	B mm	C mm	D mm	dk mm	Load rating		Tilt angle α°	Weight kg
							stat. C <sub>0</sub> kN	dyn. C kN		
S 6-DNR	6	8,9	9	6,75	18	12,7	18	10,0	13	0,013
S 8-DNR	8	10,3	12	9,00	22	15,8	30	17,0	13	0,024
S 10-DNR	10	12,9	14	10,50	26	19,0	42	24,5	13	0,040
S 12-DNR	12	15,4	16	12,00	30	22,2	56	33,0	13	0,080
S 14-DNR	14	16,8	19	13,50	34	25,4	72	43,0	15	0,110
S 16-DNR	16	19,3	21	15,00	38	28,5	90	54,0	15	0,130
S 18-DNR	18	21,8	23	16,50	42	31,7	110	66,0	15	0,170
S 20-DNR	20	24,3	25	18,00	46	34,9	132	80,0	15	0,230
S 22-DNR	22	25,8	28	20,00	50	38,1	160	98,0	15	0,280
S 25-DNR	25	29,5	31	22,00	56	42,8	198	122,0	15	0,390
S 30-DNR	30	34,8	37	25,00	66	50,8	267	165,0	15	0,610

## Ball bearing

Mounting sizes acc. to  
DIN ISO 12240-4 dimension  
series K

### Inner ring and outer ring:

Antifriction bearing steel, hardened, high precision machined.

### Outer case:

Heat-treated steel.

### Rolling element:

Balls made from through-hardened, antifriction bearing steel.

### Covering disc:

Stainless steel caulked into housing.

### Lubrication:

The spherical bearings are given initial lubrication.

### Load ratings:

Calculated acc. to DIN ISO 76 and 281.

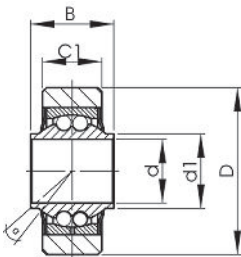
### Maximum per- missible speed:

This is affected by the bearing load, the bearing clearance, the lubricant and the heat output and input. The maximum permissible speed given in the tables applies for a purely radial load, normal bearing clearance tolerance, no external heat, an operation temperature which is not above the limit, and a low and absolutely shock-free load.

### Note:

With these spherical bearings, it is important to ensure that the tilt angle specified in the table is not exceeded, either while mounting or during operation, otherwise the cover discs may be damaged.

**Special versions:** available on request.

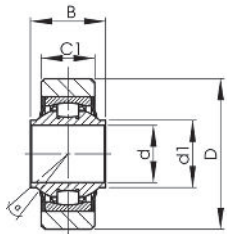


Designation	d	D	C 1	B	d <sub>1</sub>	Load rating		Limiting speed n (max.) min <sup>-1</sup>	Tilt angle α°
	mm	mm	mm	mm	mm	stat. C <sub>0</sub> kN	dyn. C kN		
GUI 6-ZZ	6	19	6,75	9	8,0	0,36	1,83	1.300	7
GUI 8-ZZ	8	22	9,00	12	10,0	0,69	3,08	1.250	7
GUI 10-ZZ	10	30	10,50	14	12,4	0,94	3,91	1.200	7
GUI 12-ZZ	12	32	12,00	16	14,6	1,23	4,90	1.150	7
GUI 14-ZZ	14	37	13,50	19	16,4	1,36	5,00	1.000	7
GUI 16-ZZ	16	42	15,00	21	18,7	1,55	5,20	950	7
GUI 18-ZZ	18	47	16,50	23	22,0	1,97	6,49	850	7
GUI 20-ZZ	20	52	18,00	25	24,0	2,17	6,70	800	7
GUI 22-ZZ	22	52	20,00	28	26,0	2,39	7,23	725	7
GUI 25-ZZ	25	62	22,00	31	29,8	3,05	10,90	550	7
GUI 30-ZZ	30	72	25,00	37	35,6	5,01	14,88	425	7



## Roller bearing

Mounting sizes acc. to  
 DIN ISO 12240-4 dimension  
 series K



**Inner ring and outer ring:**

Antifriction bearing steel, hardened, high precision machined.

**Outer case:**

Heat-treated steel.

**Rolling element:**

Barrel roller bearings made from through-hardened, antifriction bearing steel.

**Retainer:**

Synthetic material.

**Covering disc:**

Stainless steel caulked into housing.

**Lubrication:**

The spherical bearings are given initial lubrication.

**Load ratings:**

Calculated acc. to DIN ISO 76 and 281.

**Maximum permissible speed:**

This is affected by the bearing load, the bearing clearance, the lubricant and the heat output and input. The maximum permissible speed given in the tables applies for a purely radial load, normal bearing clearance tolerance, no external heat, an operation temperature which is not above the limit, and a low and absolutely shock-free load.

**Note:**

With these spherical bearings, it is important to ensure that the tilt angle specified in the table is not exceeded, either while mounting or during operation, otherwise the covering discs may be damaged.

**Special versions:**

- full complement (without retainer),
- sealing washer made of synthetic rubber-metal compound, further versions are available on request.

Designation	d	D	C 1	B	d <sub>1</sub>	Load rating		Limiting speed n (max.) min <sup>-1</sup>	Tilt angle ∞°
	mm	mm	mm	mm	mm	stat. C <sub>0</sub> kN	dyn. C kN		
G 20202-ZZ	12	32	12	16	14,60	7,70	9,55	950	7
G 20203-ZZ	16	42	15	21	18,70	8,10	9,55	650	7
G 20204-ZZ	20	52	18	25	24,15	13,40	14,99	550	7
G 20205-ZZ	25	62	22	31	29,80	21,85	23,12	400	5
G 20206-ZZ	30	72	25	37	35,60	26,20	28,82	300	7

**Mating materials:**  
**Steel on steel**  
**Maintenance required**

**RS**  
**Special version**  
**2RS sealing**

**Inner ring:** Antifriction bearing steel, hardened, ground and polished.

**Outer ring:** Made of heat-treated steel. Lubricant is distributed via the lubrication groove in the outer ring.

**Rubber bellows:** Synthetic rubber.

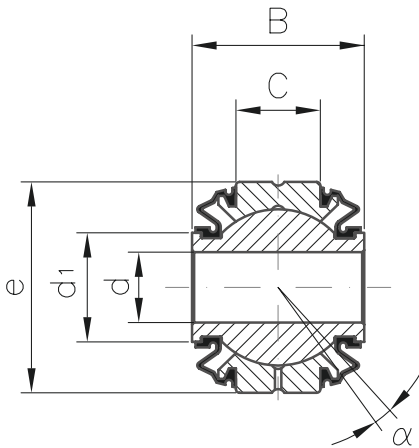
**Lubrication:** The lubricant enters the lubricating groove through a cross hole in the outer ring.

**Tolerances:** To DIN ISO 12240-1, schedule K, except:  $d = H8$ ,  $B = +0.3$

**Note:** With these rod ends, it is important to ensure that the tilt angle specified in the table is not exceeded, either while mounting or during operation, otherwise the rubber bellows may be damaged. Replacement for previous 2RS-version. Available on request.

**Special versions:**

- Mating materials steel on high-duty bronze
- Mating materials steel on steel with anti-friction coating



Designation	d	d <sub>1</sub> ≈	B	C	e	Load rating		Tilt angle α°	Weight kg
						stat. C <sub>0</sub> kN	dyn. C kN		
Righthand thread	mm	mm	mm	mm	mm				
S 8-RS	6	11,5	19	9,0	22	31	7,0	9	0,035
S 10-RS	8	13,5	21	10,5	26	43	10,0	9	0,065
S 12-RS	10	15,5	23	12,0	30	58	13,5	9	0,110
S 14-RS	12	17,5	26	13,5	34	74	17,0	10	0,150
S 16-RS	14	19,5	28	15,0	38	92	21,5	10	0,180
S 18-RS	16	22,5	30	16,5	42	112	26,0	10	0,225
S 20-RS	18	24,5	32	18,0	46	135	31,5	10	0,300
S 22-RS	20	26,5	35	20,0	50	164	38,0	10	0,350
S 25-RS	22	29,5	38	22,0	56	236	47,0	10	0,470
S 30-RS	25	35,0	44	25,0	66	273	64,0	12	0,690

**Mating materials:**  
**Steel on PFFE**  
**Maintenance-free**

**RS**  
 Special version  
 RS sealing

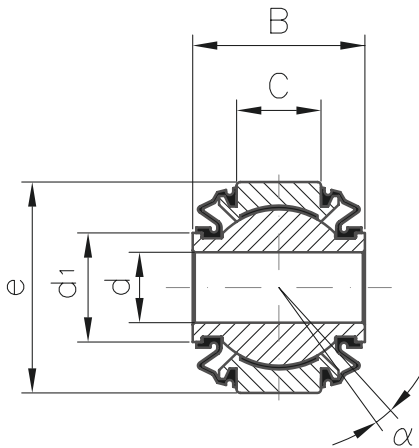
**Inner ring:** Antifriction bearing steel, hardened, ground and polished.

**Outer ring:** Steel lined with an antifriction film, consisting PTFE.

**Rubber bellows:** Synthetic rubber.

**Tolerances:** Acc. To DIN ISO 12240-1, schedule K, except:  $d = H8$ ,  $B = +0.3$

**Note:** With these rod ends, it is important to ensure that the tilt angle specified in the table is not exceeded, either while mounting or during operation, otherwise the rubber bellows may be damaged. Replacement for previous 2RS-version. Available on request.



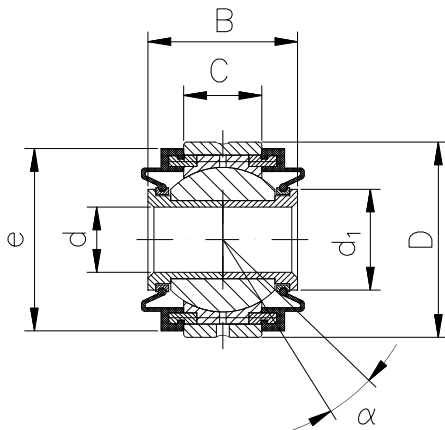
Designation	d	d <sub>1</sub>	B	C	e	Load rating		Tilt angle	Weight
						stat. C <sub>0</sub>	dyn. C		
Righthand thread	mm	≈ mm	mm	mm	mm	kN	kN	α°	kg
S 8-DRS	6	11,5	19	9,0	22	30	17,0	9	0,035
S 10-DRS	8	13,5	21	10,5	26	42	24,5	9	0,065
S 12-DRS	10	15,5	23	12,0	30	56	33,0	9	0,110
S 14-DRS	12	17,5	26	13,5	34	72	43,0	10	0,150
S 16-DRS	14	19,5	28	15,0	38	90	54,0	10	0,180
S 18-DRS	16	22,5	30	16,5	42	110	66,0	10	0,225
S 20-DRS	18	24,5	32	18,0	46	132	80,0	10	0,300
S 22-DRS	20	26,5	35	20,0	50	160	98,0	10	0,350
S 25-DRS	22	29,5	38	22,0	56	198	122,0	10	0,470
S 30-DRS	25	35,0	44	25,0	66	267	165,0	12	0,690

**Mating materials:**  
**Steel on high-duty bronze**  
**Maintenance required**

**2RS version**  
**Special version**  
**2RS sealing**

- Inner ring:** Antifriction bearing steel, hardened, ground and polished.
- Bearing shells:** Sliding face made of high-duty bronze. Both shells have a male thread and are screwed into the outer case. In this way, any required bearing clearance can be adjusted and then secured with the two vulcanised locknuts of the rubber bellows.
- Outer case:** Steel, outer diameter ground.
- Rubber bellows:** Synthetic rubber with vulcanised brass slipring and steel locknut
- Bushings:** Tempering steel, hardened, bore and outside diameter ground, pressed into the inner ring. They are only used as intake of the brass abrasive rings of the rubber bellows. Due to their low thickness they are not dedicated to transmit radial and axial forces into the spherical bearing.
- Lubricating:** The lubricant enters the lubricating groove through a cross hole in the outer ring
- Tolerances:** To DIN ISO 12240-4, schedule K, except:  $d = H10$ ,  $B = \pm 0,3$
- Note:** With these rod ends, it is important to ensure that the tilt angle specified in the table is not exceeded, either while mounting or during operation, otherwise the rubber bellows may be damaged.

Standard



Designation	d	d <sub>1</sub>	B	C	D	e	Load ratings		Tilt angle $\alpha^\circ$	Weight kg
							stat. C <sub>0</sub> kN	dyn. C kN		
S 8-STK2RS	6	10,5	19	9,0	22	20	31	7,0	9	0,035
S 10-STK2RS	8	13,0	21	10,5	26	24	43	10,0	9	0,065
S 12-STK2RS	10	15,5	23	12,0	30	28	58	13,5	9	0,110
S 14-STK2RS	12	17,0	26	13,5	34	30	74	17,0	10	0,150
S 16-STK2RS	14	19,5	28	15,0	38	34	92	21,5	10	0,180
S 18-STK2RS	16	22,5	30	16,5	42	37	112	26,0	10	0,225
S 20-STK2RS	18	24,5	32	18,0	46	40	135	31,5	10	0,300
S 22-STK2RS	20	26,0	35	20,0	50	44	164	38,0	10	0,350
S 25-STK2RS	22	29,5	38	22,0	56	50	236	47,0	10	0,470
S 30-STK2RS	25	35,0	44	25,0	66	58	273	64,0	12	0,690



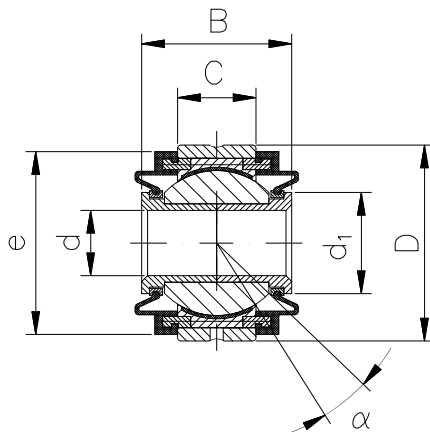
Mating materials:  
 Steel on PTFE  
 Maintenance-free

**2RS version**  
 Special version  
 2RS sealing

- Inner ring:** Antifriction bearing steel, hardened, ground and polished.
- Outer ring:** Brass lined with an antifriction film, consisting PTFE, cold formed around inner ring, outside diameter with thread, screwed into the outer case and secured with the vulcanised brass slipping and steel locknut.
- Outer case:** Steel, outer diameter ground.
- Rubber bellows:** Synthetic rubber with vulcanised brass slipping and steel locknut
- Bushings:** Tempering steel, hardened, bore and outside diameter ground, pressed into the inner ring. They are only used as intake of the brass abrasive rings of the rubber bellows. Due to their low thickness they are not decicated to transmit radial and axial forces into the spherical bearing.
- Tolerances:** Acc. to DIN ISO 12240-4, schedule K, except: d = H10, B = +- 0,3
- Note:** With these rod ends, it is important to ensure that the tilt angle specified in the table ist not exceeded, either while mounting or during operation, otherwise the rubber bellows may be damaged.



Standard



Designation	d	d <sub>1</sub>	B	C	D	e	Load ratings		Tilt angle α°	Weight kg
							stat. C <sub>0</sub> kN	dyn. C kN		
S 8-D2RS	6	10,5	19	9,0	22	20	30	17,0	9	0,035
S 10-D2RS	8	13,0	21	10,5	26	24	42	24,5	9	0,065
S 12-D2RS	10	15,5	23	12,0	30	28	56	33,0	9	0,110
S 14-D2RS	12	17,0	26	13,5	34	30	72	43,0	10	0,150
S 16-D2RS	14	19,5	28	15,0	38	34	90	54,0	10	0,180
S 18-D2RS	16	22,5	30	16,5	42	37	110	66,0	10	0,225
S 20-D2RS	18	24,5	32	18,0	46	40	132	80,0	10	0,300
S 22-D2RS	20	26,0	35	20,0	50	44	160	98,0	10	0,350
S 25-D2RS	22	29,5	38	22,0	56	50	198	122,0	10	0,470
S 30-D2RS	25	35,0	44	25,0	66	58	267	165,0	12	0,690

**Mating materials:**  
**Steel on steel**  
**Maintenance required**

**DO**  
 DIN ISO 12240-4  
 dimension series E

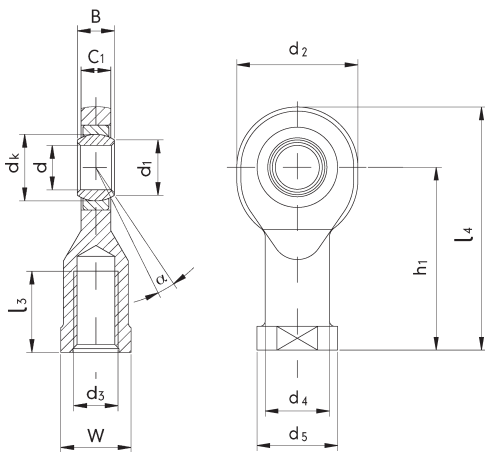
**Inner ring:** Antifriction bearing steel, hardened, ground.

**Outer ring:** Antifriction bearing steel, hardened, ground. Outer ring is split for assembly of inner ring.

**Housing:** Made of steel, all sizes galvanized and chromatised. The spherical bearing is pressed into the housing and caulked at both sides.

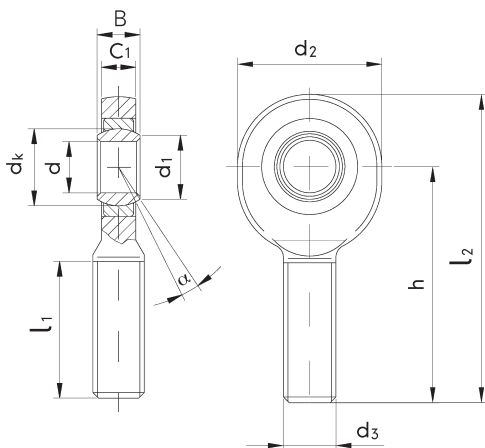
**Lubrication nipple:** Sizes 6 to 15 without lubricating nipple, sizes 17 to 30 nipple DIN 3405, shape D, further lubricating nipple shapes on request.

## Female thread



Designation		d	d <sub>3</sub>	B	C <sub>1</sub>	d <sub>1</sub>
Righthand thread	Lefthand thread	mm	mm	mm	max, mm	≈ mm
GIR 6-DO	GIL 6-DO	6	M6	6	4.5	8
GIR 8-DO	GIL 8-DO	8	M8	8	6.5	10
GIR 10-DO	GIL 10-DO	10	M10	9	7.5	13
GIR 12-DO	GIL 12-DO	12	M12	10	8.5	15
GIR 15-DO	GIL 15-DO	15	M14	12	10.5	18
GIR 17-DO	GIL 17-DO	17	M16	14	11.5	20
GIR 20-DO	GIL 20-DO	20	M20x1.5	16	13.5	24
GIR 25-DO	GIL 25-DO	25	M24x2	20	18.0	29
GIR 30-DO	GIL 30-DO	30	M30x2	22	20.0	34
GIR 35-DO	GIL 35-DO	35	M36x3	25	22.0	39
GIR 40-DO	GIL 40-DO	40	M39x3	28	24.0	45
GIR 50-DO	GIL 50-DO	50	M45x3	35	31.0	55
GIR 60-DO	GIL 60-DO	60	M52x3	44	39.0	66
GIR 70-DO	GIL 70-DO	70	M56x4	49	43.0	77
GIR 80-DO	GIL 80-DO	80	M64x4	55	48.0	88

## Male thread



Designation		d	d <sub>3</sub>	B	C <sub>1</sub>	d <sub>1</sub>
Righthand thread	Lefthand thread	mm	mm	mm	max. mm	≈ mm
GAR 6-DO	GAL 6-DO	6	M6	6	4.5	8
GAR 8-DO	GAL 8-DO	8	M8	8	6.5	10
GAR 10-DO	GAL 10-DO	10	M10	9	7.5	13
GAR 12-DO	GAL 12-DO	12	M12	10	8.5	15
GAR 15-DO	GAL 15-DO	15	M14	12	10.5	18
GAR 17-DO	GAL 17-DO	17	M16	14	11.5	20
GAR 20-DO	GAL 20-DO	20	M20x1.5	16	13.5	24
GAR 25-DO	GAL 25-DO	25	M24x2	20	18.0	29
GAR 30-DO	GAL 30-DO	30	M30x2	22	20.0	34
GAR 35-DO	GAL 35-DO	35	M36x3	25	22.0	39
GAR 40-DO	GAL 40-DO	40	M39x3	28	24.0	45
GAR 50-DO	GAL 50-DO	50	M45x3	35	31.0	55
GAR 60-DO	GAL 60-DO	60	M52x3	44	39.0	66
GAR 70-DO	GAL 70-DO	70	M56x4	49	43.0	77
GAR 80-DO	GAL 80-DO	80	M64x4	55	48.0	88



Special versions: available on request

d <sub>2</sub> max. mm	d <sub>4</sub> ≈ mm	d <sub>5</sub> max. mm	dk mm	h <sub>1</sub> mm	l <sub>3</sub> min. mm	l <sub>4</sub> max. mm	W mm	Load rating static C <sub>0</sub> kN	Tilt angle α°	Weight kg
22	11	14	10	30	11	43	11	<b>8.1</b>	13	0.021
25	13	17	13	36	15	50	13	<b>12.9</b>	15	0.039
30	16	20	16	43	15	60	16	<b>17.6</b>	12	0.061
35	19	23	18	50	18	69	18	<b>24.5</b>	10	0.096
41	22	27	22	61	21	83	21	<b>36.0</b>	8	0.162
47	25	31	25	67	24	92	27	<b>45.0</b>	10	0.233
54	28	36	29	77	30	106	30	<b>60.0</b>	9	0.324
65	35	44	35	94	36	128	36	<b>83.0</b>	7	0.625
75	42	52	40	110	45	149	46	<b>110.0</b>	6	0.976
84	47	60	47	125	60	169	55	<b>146.0</b>	6	1.520
94	52	67	53	142	65	191	60	<b>180.0</b>	7	2.060
114	62	77	66	160	68	219	70	<b>290.0</b>	6	3.570
137	70	90	80	175	70	246	80	<b>450.0</b>	6	5.630
162	80	100	92	200	80	284	85	<b>610.0</b>	6	8.330
182	95	112	105	230	85	324	95	<b>750.0</b>	6	13.040

d <sub>2</sub> max. mm	dk mm	h mm	l <sub>1</sub> min. mm	l <sub>2</sub> max. mm	Load rating static C <sub>0</sub> kN	Tilt angle α°	Weight kg
22	10	36	16	49	<b>5.5</b>	13	0.017
25	13	42	21	56	<b>10.0</b>	15	0.029
30	16	48	26	65	<b>16.0</b>	12	0.044
35	18	54	28	73	<b>23.0</b>	11	0.066
41	22	63	34	85	<b>32.0</b>	9	0.121
47	25	69	36	94	<b>44.0</b>	10	0.172
54	29	78	43	107	<b>60.0</b>	9	0.283
65	35	94	53	128	<b>83.0</b>	8	0.504
75	40	110	65	149	<b>110.0</b>	7	0.835
84	47	140	82	184	<b>146.0</b>	6	1.410
94	53	150	86	199	<b>180.0</b>	7	1.860
114	66	185	104	244	<b>290.0</b>	6	3.580
137	80	210	115	281	<b>450.0</b>	6	5.730
162	92	235	125	319	<b>610.0</b>	6	7.940
182	105	270	140	364	<b>750.0</b>	6	12.060

# ASKUBAL® Rod ends and spherical bearings

**Mating materials:**  
**Steel on PTFE**  
**Maintenance-free**

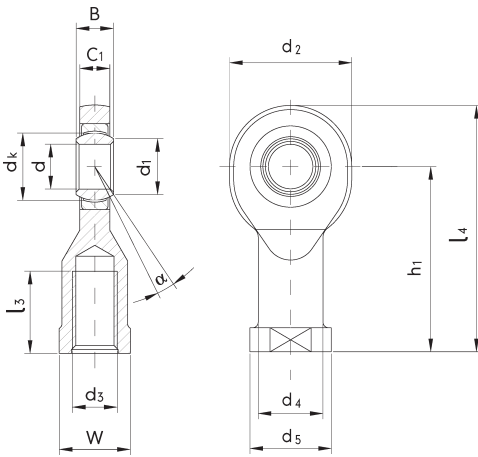
**UK**  
**DIN ISO 12240-4**  
**dimension series E**

**Inner ring:** Antifriction bearing steel, hardened, ground and polished, raceway hard chromium plated.

**Outer ring:** Free-cutting steel, lined with PTFE.

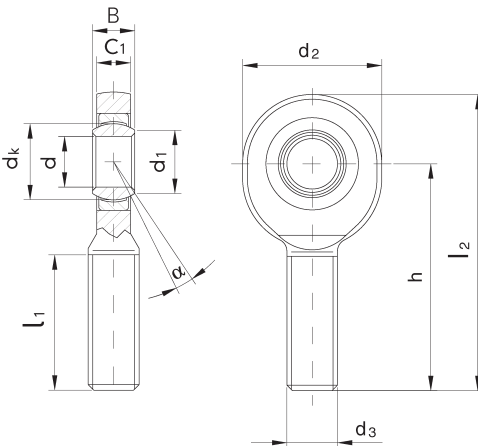
**Housing:** Made of steel, all sizes galvanized and chromatised. The spherical bearing is pressed into the housing and caulked at both sides.

## Female thread



Designation		d	d <sub>3</sub>	B	C <sub>1</sub> max.	d <sub>1</sub> ≈
Righthand thread	Lefthand thread	mm	mm	mm	mm	mm
GIR 6-UK	GIL 6-UK	6	M6	6	4.5	8
GIR 8-UK	GIL 8-UK	8	M8	8	6.5	10
GIR 10-UK	GIL 10-UK	10	M10	9	7.5	13
GIR 12-UK	GIL 12-UK	12	M12	10	8.5	15
GIR 15-UK	GIL 15-UK	15	M14	12	10.5	18
GIR 15-UK2RS	GIL 15-UK2RS	15	M14	12	10.5	18
GIR 17-UK	GIL 17-UK	17	M16	14	11.5	20
GIR 17-UK2RS	GIL 17-UK2RS	17	M16	14	11.5	20
GIR 20-UK	GIL 20-UK	20	M20x1.5	16	13.5	24
GIR 20-UK2RS	GIL 20-UK2RS	20	M20x1.5	16	13.5	24
GIR 25-UK	GIL 25-UK	25	M24x2	20	18.0	29
GIR 25-UK2RS	GIL 25-UK2RS	25	M24x2	20	18.0	29
GIR 30-UK	GIL 30-UK	30	M30x2	22	20.0	34
GIR 30-UK2RS	GIL 30-UK2RS	30	M30x2	22	20.0	34
GIR 35-UK2RS	GIL 35-UK2RS	35	M36x3	25	22.0	39
GIR 40-UK2RS	GIL 40-UK2RS	40	M39x3	28	24.0	45
GIR 50-UK2RS	GIL 50-UK2RS	50	M45x3	35	31.0	55
GIR 60-UK2RS	GIL 60-UK2RS	60	M52x3	44	39.0	66
GIR 70-UK2RS	GIL 70-UK2RS	70	M56x4	49	43.0	77
GIR 80-UK2RS	GIL 80-UK2RS	80	M64x4	55	48.0	88

## Male thread



Designation		d	d <sub>3</sub>	B	C <sub>1</sub> max.	d <sub>1</sub> ≈
Righthand thread	Lefthand thread	mm	mm	mm	mm	mm
GAR 6-UK	GAL 6-UK	6	M6	6	4.5	8
GAR 8-UK	GAL 8-UK	8	M8	8	6.5	10
GAR 10-UK	GAL 10-UK	10	M10	9	7.5	13
GAR 12-UK	GAL 12-UK	12	M12	10	8.5	15
GAR 15-UK	GAL 15-UK	15	M14	12	10.5	18
GAR 15-UK2RS	GAL 15-UK2RS	15	M14	12	10.5	18
GAR 17-UK	GAL 17-UK	17	M16	14	11.5	20
GAR 17-UK2RS	GAL 17-UK2RS	17	M16	14	11.5	20
GAR 20-UK	GAL 20-UK	20	M20x1.5	16	13.5	24
GAR 20-UK2RS	GAL 20-UK2RS	20	M20x1.5	16	13.5	24
GAR 25-UK	GAL 25-UK	25	M24x2	20	18.0	29
GAR 25-UK2RS	GAL 25-UK2RS	25	M24x2	20	18.0	29
GAR 30-UK	GAL 30-UK	30	M30x2	22	20.0	34
GAR 30-UK2RS	GAL 30-UK2RS	30	M30x2	22	20.0	34
GAR 35-UK2RS	GAL 35-UK2RS	35	M36x3	25	22.0	39
GAR 40-UK2RS	GAL 40-UK2RS	40	M39x3	28	24.0	45
GAR 50-UK2RS	GAL 50-UK2RS	50	M45x3	35	31.0	55
GAR 60-UK2RS	GAL 60-UK2RS	60	M52x3	44	39.0	66
GAR 70-UK2RS	GAL 70-UK2RS	70	M56x4	49	43.0	77
GAR 80-UK2RS	GAL 80-UK2RS	80	M64x4	55	48.0	88



Special versions: available on request

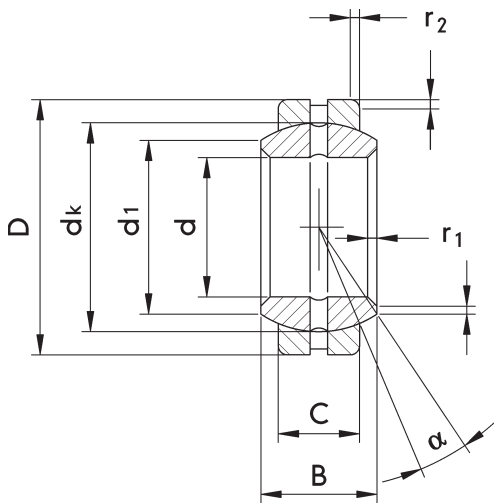
d <sub>2</sub> max. mm	d <sub>4</sub> ≈ mm	d <sub>5</sub> max. mm	dk mm	h <sub>1</sub> mm	l <sub>3</sub> min. mm	l <sub>4</sub> max. mm	W mm	Load rating static C <sub>0</sub> kN	Tilt angle α°	Weight kg
22	11	14	10	30	11	43	11	8.1	13	0.021
25	13	17	13	36	15	50	13	12.9	15	0.039
30	16	20	16	43	15	60	16	17.6	12	0.061
35	19	23	18	50	18	69	18	24.5	10	0.096
41	22	27	22	61	21	83	21	36.0	8	0.160
41	22	27	22	61	21	83	21	36.0	8	0.160
47	25	31	25	67	24	92	27	45.0	10	0.230
47	25	31	25	67	24	92	27	45.0	10	0.230
54	28	36	29	77	30	106	30	60.0	9	0.320
54	28	36	29	77	30	106	30	60.0	9	0.320
65	35	44	35	94	36	128	36	83.0	7	0.620
65	35	44	35	94	36	128	36	83.0	7	0.620
75	42	52	40	110	45	149	46	110.0	6	0.970
75	42	52	40	110	45	149	46	110.0	6	0.970
84	47	60	47	125	60	169	55	146.0	6	1.500
94	52	67	53	142	65	191	60	180.0	7	2.100
114	62	77	66	160	68	219	70	290.0	6	3.500
137	70	90	80	175	70	246	80	450.0	6	5.600
162	80	100	92	200	80	284	85	610.0	6	8.300
182	95	112	105	230	85	324	95	750.0	6	13.000

d <sub>2</sub> max. mm	dk mm	h mm	l <sub>1</sub> min. mm	l <sub>2</sub> max. mm	Load rating static C <sub>0</sub> kN	Tilt angle α°	Weight kg
22	10	36	16	49	5.5	13	0.017
25	13	42	21	56	10.0	15	0.029
30	16	48	26	65	16.0	12	0.044
35	18	54	28	73	23.0	10	0.066
41	22	63	34	85	32.0	8	0.120
41	22	63	34	85	32.0	8	0.120
47	25	69	36	94	44.0	10	0.170
47	25	69	36	94	44.0	10	0.170
54	29	78	43	107	60.0	9	0.280
54	29	78	43	107	60.0	9	0.280
65	35	94	53	128	83.0	7	0.510
65	35	94	53	128	83.0	7	0.510
75	40	110	65	149	110.0	6	0.840
75	40	110	65	149	110.0	6	0.840
84	47	140	82	184	146.0	6	1.400
94	53	150	86	199	180.0	7	1.800
114	66	185	104	244	290.0	6	3.600
137	80	210	115	281	450.0	6	5.700
162	92	235	125	319	610.0	6	7.900
182	105	270	140	364	750.0	6	12.000

**Mating materials:**  
**Steel on steel**  
**Maintenance required**

**DO**  
 DIN ISO 12240-1  
 dimension series E

**Inner ring:** Antifriction bearing steel, hardened, ground.  
**Outer ring:** Antifriction bearing steel, hardened, ground. Outer ring is split for assembly of inner ring.  
**Lubrication:** Sizes 6 to 15 without lubrication groove and lubrication hole. From size 17 upwards, relubrication is also possible through the inner bore.

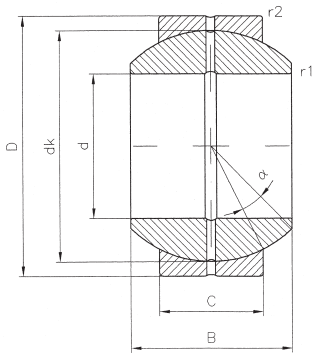


Designation	d	d <sub>1</sub>	B	C	D	dk	r <sub>1</sub>	r <sub>2</sub>	Load rating static C <sub>0</sub>	Tilt angle	Weight
	mm	≈ mm	mm	mm	mm	mm	min. mm	min. mm	kN	≈ °	kg
GE 6-DO	6	8	6	4	14	10	0.3	0.3	17	13	0.004
GE 8-DO	8	10	8	5	16	13	0.3	0.3	27	15	0.008
GE 10-DO	10	13	9	6	19	16	0.3	0.3	40	12	0.011
GE 12-DO	12	15	10	7	22	18	0.3	0.3	53	10	0.015
GE 15-DO	15	18	12	9	26	22	0.3	0.3	84	8	0.027
GE 17-DO	17	20	14	10	30	25	0.3	0.3	106	10	0.041
GE 20-DO	20	24	16	12	35	29	0.3	0.3	146	9	0.066
GE 25-DO	25	29	20	16	42	35	0.6	0.6	240	7	0.119
GE 30-DO	30	34	22	18	47	40	0.6	0.6	310	6	0.153
GE 35-DO	35	39	25	20	55	47	0.6	1.0	399	6	0.233
GE 40-DO	40	45	28	22	62	53	0.6	1.0	495	7	0.306
GE 45-DO	45	50	32	25	68	60	0.6	1.0	637	7	0.427
GE 50-DO	50	55	35	28	75	66	0.6	1.0	780	6	0.939
GE 60-DO	60	66	44	36	90	80	1.0	1.0	1220	6	1.040
GE 70-DO	70	77	49	40	105	92	1.0	1.0	1560	6	1.550
GE 80-DO	80	88	55	45	120	105	1.0	1.0	2000	6	2.310
GE 90-DO	90	98	60	50	130	115	1.0	1.0	2440	5	2.750
GE 100-DO	100	109	70	55	150	130	1.0	1.0	3030	7	4.450
GE 110-DO	110	120	70	55	160	140	1.0	1.0	3270	6	4.820
GE 120-DO	120	130	85	70	180	160	1.0	1.0	4750	6	8.050
GE 140-DO	140	150	90	70	210	180	1.0	1.0	5350	7	11.020
GE 160-DO	160	170	105	80	230	200	1.0	1.0	6800	8	14.010
GE 180-DO	180	192	105	80	260	225	1.1	1.1	7650	6	18.650
GE 200-DO	200	212	130	100	290	250	1.1	1.1	10600	7	28.030

**Mating materials:**  
Steel on steel  
**Maintenance required**

**FO**  
DIN ISO 12240-1  
dimension series G

- Inner ring:** Antifriction bearing steel, hardened, ground.
- Outer ring:** Antifriction bearing steel, hardened, ground. Outer ring is split for assembly of inner ring.
- Lubrication:** Lubrication groove and lubrication hole, relubrication is also possible through the inner bore.



Designation	d	B	C	D	dk	r <sub>1</sub>	r <sub>2</sub>	Load rating static C <sub>0</sub>	Tilt angle	Weight
	mm	mm	mm	mm	mm	mm	mm	kN	α°	kg
GE 20-FO	20	25	16	42	35.5	0.6	0.6	240	17	0.15
GE 25-FO	25	28	18	47	40.7	0.6	0.6	310	17	0.19
GE 30-FO	30	32	20	55	47.0	0.6	1.0	400	17	0.29
GE 35-FO	35	35	23	62	53.0	0.6	1.0	500	16	0.39
GE 40-FO	40	40	25	68	60.0	0.6	1.0	640	17	0.52
GE 45-FO	45	43	28	75	66.0	0.6	1.0	780	15	0.68
GE 50-FO	50	56	36	90	80.0	0.6	1.0	1120	17	1.40
GE 60-FO	60	63	40	105	92.0	1.0	1.0	1560	17	2.00
GE 70-FO	70	70	45	120	105.0	1.0	1.0	2000	16	2.90
GE 80-FO	80	75	50	130	115.0	1.0	1.0	2450	14	3.50
GE 90-FO	90	85	55	150	130.0	1.0	1.0	3050	15	5.40
GE 100-FO	100	85	55	160	140.0	1.0	1.0	3250	14	5.90

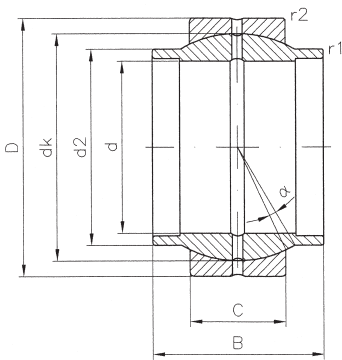
**Mating materials:**  
**Steel on steel**  
**Maintenance required**

**LO**  
 DIN ISO 12240-1  
 dimension series W

**Inner ring:** Antifriction bearing steel, hardened, ground.

**Outer ring:** Antifriction bearing steel, hardened, ground. Outer ring is split for assembly of inner ring.

**Lubrication:** Lubrication groove and lubrication hole, relubrication is also possible through the inner bore.



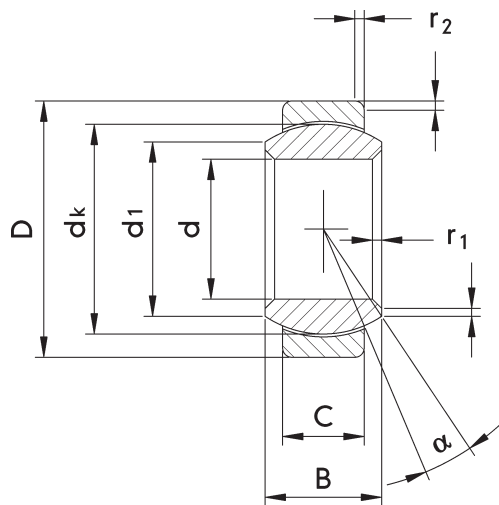
Designation	d	d <sub>2</sub> min. mm	B	C	D	dk	r <sub>1</sub>	r <sub>2</sub>	Load rating static C <sub>0</sub> kN	Tilt angle ∞°	Weight kg
GE 20-LO	20	25.0	20	12	35.0	29.0	0.3	0.3	146	4	0.070
GE 25-LO	25	30.0	25	16	42.0	35.5	0.6	0.6	240	4	0.120
GE 32-LO	32	38.0	32	18	52.0	44.0	0.6	1.0	335	4	0.200
GE 40-LO	40	46.0	40	22	62.0	53.0	0.6	1.0	500	4	0.340
GE 50-LO	50	57.0	50	28	75.0	66.0	0.6	1.0	780	4	0.560
GE 63-LO	63	71.5	63	36	95.0	83.0	0.1	1.0	1270	4	1.200
GE 70-LO	70	79.0	70	40	105.0	92.0	1.0	1.0	1560	4	1.700
GE 80-LO	80	91.0	80	45	120.0	105.0	1.0	1.0	2000	4	2.400



**Mating materials:**  
**Steel on PTFE**  
**Maintenance-free**

**UK**  
 DIN ISO 12240-1  
 dimension series E

**Inner ring:** Antifriction bearing steel, hardened, ground and polished.  
**Outer ring:** Steel, lined with PTFE.  
**Sealing:** Sealing rings at both sides.



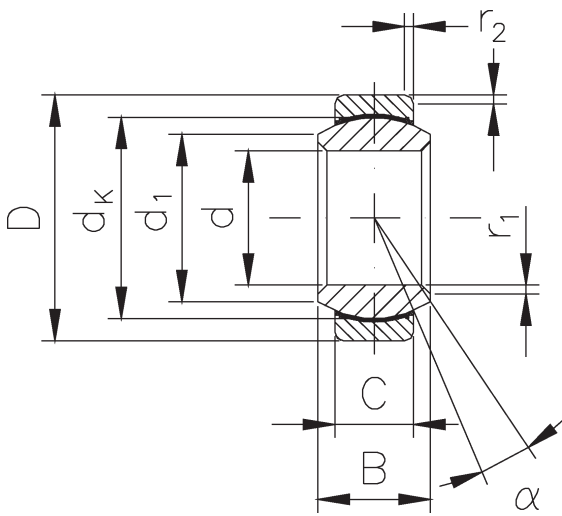
Designation	d	d <sub>1</sub>	B	C	D	dk	r <sub>1</sub>	r <sub>2</sub>	Load rating static C <sub>0</sub>	Tilt angle	Weight
	mm	≈ mm	mm	mm	mm	mm	min. mm	min. mm	kN	≈ °	kg
GE 6-UK	6	8	6	4	14	10	0.3	0.3	9	13	0.004
GE 8-UK	8	10	8	5	16	13	0.3	0.3	14	15	0.008
GE 10-UK	10	13	9	6	19	16	0.3	0.3	21	12	0.011
GE 12-UK	12	15	10	7	22	18	0.3	0.3	28	10	0.015
GE 15-UK	15	18	12	9	26	22	0.3	0.3	45	8	0.027
GE 17-UK	17	20	14	10	30	25	0.3	0.3	56	10	0.041
GE 17-UK2RS	17	20	14	10	30	25	0.3	0.3	60	10	0.041
GE 20-UK	20	24	16	12	35	29	0.3	0.3	78	9	0.066
GE 20-UK2RS	20	24	16	12	35	29	0.3	0.3	83	9	0.066
GE 25-UK	25	29	20	16	42	35	0.6	0.6	127	7	0.119
GE 25-UK2RS	25	29	20	16	42	35	0.6	0.6	137	7	0.119
GE 30-UK	30	34	22	18	47	40	0.6	0.6	166	6	0.153
GE 30-UK2RS	30	34	22	18	47	40	0.6	0.6	176	6	0.153
GE 35-UK2RS	35	39	25	20	55	17	0.6	1.0	224	6	0.233
GE 40-UK2RS	40	45	28	22	62	53	0.6	1.0	280	7	0.306
GE 45-UK2RS	45	50	32	25	68	60	0.6	1.0	360	7	0.427
GE 50-UK2RS	50	55	35	28	75	66	0.6	1.0	440	6	0.939
GE 60-UK2RS	60	66	44	36	90	80	1.0	1.0	695	6	1.040
GE 70-UK2RS	70	77	49	40	105	92	1.0	1.0	880	6	1.550
GE 80-UK2RS	80	88	55	45	120	105	1.0	1.0	1140	6	2.310
GE 90-UK2RS	90	98	60	50	130	115	1.0	1.0	1370	5	2.750
GE 100-UK2RS	100	109	70	55	150	130	1.0	1.0	1730	7	4.450
GE 110-UK2RS	110	120	70	55	160	140	1.0	1.0	1860	6	4.820
GE 120-UK2RS	120	130	85	70	180	160	1.0	1.0	2700	6	8.050

Mating materials:  
Steel on PTFE  
Maintenance-free

**TGR**  
DIN ISO 12240-1  
dimension series E

**Inner ring:** Stainless steel, hardened, ground and polished.

**Outer ring:** Stainless steel lined with PTFE, cold formed around the inner ring.

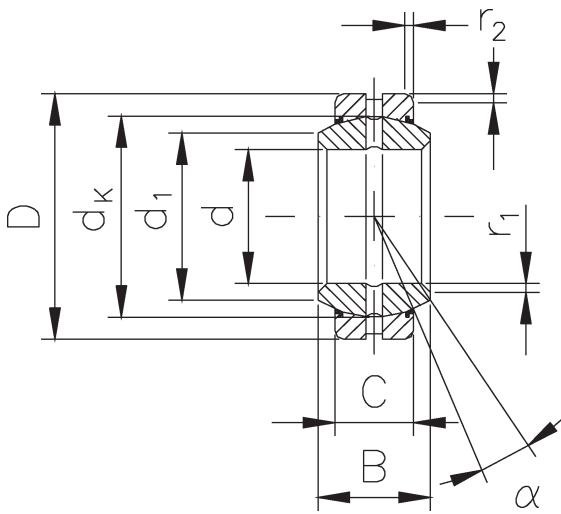


Designation	d	d <sub>1</sub>	B	C	D	dk	r <sub>1</sub>	r <sub>2</sub>	Load rating static C <sub>0</sub>	Tilt angle	Weight
	mm	mm	mm	mm	mm	mm	mm	mm	kN	α°	kg
GE 8-TGR	8	10	8	5	16	13.0	0.5	0.5	15	15	0.008
GE 10-TGR	10	13	9	6	19	16.0	0.8	0.5	22	12	0.012
GE 12-TGR	12	15	10	7	22	18.0	0.8	0.8	29	11	0.017
GE 15-TGR	15	18	12	9	26	22.0	0.8	0.8	44	9	0.032
GE 17-TGR	17	20	14	10	30	25.0	0.8	0.8	56	10	0.049
GE 20-TGR	20	24	16	12	35	29.0	0.8	1.0	78	9	0.065
GE 25-TGR	25	29	20	16	42	35.5	0.8	1.0	127	8	0.115
GE 30-TGR	30	34	22	18	47	40.7	0.8	1.0	166	7	0.160

Mating materials:  
Steel on steel  
Maintenance required

**DO2RS**  
DIN ISO 12240-1  
dimension series E  
2RS sealing

- Inner ring:** Antifriction bearing steel, hardened, ground.
- Outer ring:** Antifriction bearing steel, hardened, ground. Outer ring is split for assembly of inner ring.
- Sealing:** Sealing rings at both sides.
- Lubrication:** Sizes 6 to 15 without lubrication groove and lubrication hole. Form size 17 upwards, relubrication is also possible through the inner bore.

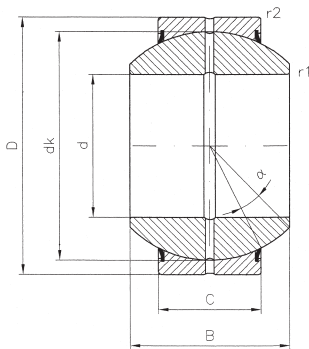


Designation	d	d <sub>1</sub>	B	C	D	dk	r <sub>1</sub>	r <sub>2</sub>	Load rating static C <sub>0</sub>	Tilt angle	Weight
	mm	mm	mm	mm	mm	mm	mm	mm	kN	α°	kg
GE 15-DO2RS	15	18	12	9	26	22.0	0.8	0.8	84	9	0.032
GE 17-DO2RS	17	20	14	10	30	25.0	0.8	0.8	106	10	0.049
GE 20-DO2RS	20	24	16	12	35	29.0	0.8	1.0	146	9	0.065
GE 25-DO2RS	25	29	20	16	42	35.5	0.8	1.0	240	8	0.115
GE 30-DO2RS	30	34	22	18	47	40.7	0.8	1.0	310	7	0.160
GE 35-DO2RS	35	39	25	20	55	47.0	1.0	1.2	399	7	0.258
GE 40-DO2RS	40	45	28	22	62	53.0	1.0	1.2	495	7	0.315
GE 45-DO2RS	45	50	32	25	68	60.0	1.0	1.2	637	8	0.413
GE 50-DO2RS	50	56	35	28	75	66.0	1.0	1.2	780	7	0.560
GE 60-DO2RS	60	66	44	36	90	80.0	1.2	1.5	1220	7	1.100
GE 70-DO2RS	70	77	49	40	105	92.0	1.2	1.5	1560	6	1.540
GE 80-DO2RS	80	89	55	45	120	105.0	1.2	1.5	2000	6	2.290

**Mating materials:**  
**Steel on steel**  
**Maintenance required**

**FO2RS**  
 DIN ISO 12240-1  
 dimension series G  
 2RS-sealing

- Inner ring:** Antifriction bearing steel, hardened, ground.
- Outer ring:** Antifriction bearing steel, hardened, ground. Outer ring is split for assembly of inner ring.
- Lubrication:** Lubrication groove and lubrication hole, relubrication is also possible through the inner bore.
- Sealing:** Sealing rings at both sides.

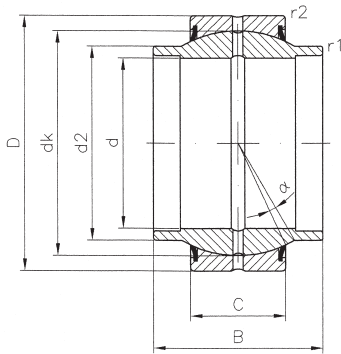


Designation	d	B	C	D	dk	r <sub>1</sub>	r <sub>2</sub>	Load rating static C <sub>0</sub>	Tilt angle	Weight
	mm	mm	mm	mm	mm	mm	mm	kN	∞°	kg
GE 20-FO2RS	20	25	16	42	35.5	0.6	0.6	240	17	0.15
GE 25-FO2RS	25	28	18	47	40.7	0.6	0.6	310	17	0.19
GE 30-FO2RS	30	32	20	55	47.0	0.6	1.0	400	17	0.29
GE 35-FO2RS	35	35	23	62	53.0	0.6	1.0	500	16	0.39
GE 40-FO2RS	40	40	25	68	60.0	0.6	1.0	640	17	0.52
GE 45-FO2RS	45	43	28	75	66.0	0.6	1.0	780	15	0.68
GE 50-FO2RS	50	56	36	90	80.0	0.6	1.0	1120	17	1.40
GE 60-FO2RS	60	63	40	105	92.0	1.0	1.0	1560	17	2.00
GE 70-FO2RS	70	70	45	120	105.0	1.0	1.0	2000	16	2.90
GE 80-FO2RS	80	75	50	130	115.0	1.0	1.0	2450	14	3.50
GE 90-FO2RS	90	85	55	150	130.0	1.0	1.0	3050	15	5.40
GE 100-FO2RS	100	85	55	160	140.0	1.0	1.0	3250	14	5.90

**Mating materials:**  
Steel on steel  
**Maintenance required**

**HO2RS**  
2RS-sealing

- Inner ring:** Antifriction bearing steel, hardened, ground.
- Outer ring:** Antifriction bearing steel, hardened, ground. Outer ring is split for assembly of inner ring.
- Lubrication:** Lubrication groove and lubrication hole, relubrication is also possible through the inner bore.
- Radial clearance:** see technical basics, table spherical bearings dimension series E, mating materials steel on steel.
- Sealing:** Sealing rings at both sides.

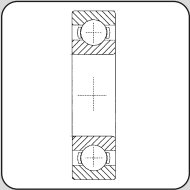


Designation	d	d <sub>2</sub>	B	C	D	dk	r <sub>1</sub>	r <sub>2</sub>	Load rating static C <sub>0</sub>	Tilt angle	Weight
	mm	min. mm	mm	mm	mm	mm	mm	mm	kN	α°	kg
GE 20-HO2RS	20	24.0	24	12	35	29.0	0.2	0.3	146	3	0.057
GE 25-HO2RS	25	29.0	29	16	42	35.5	0.2	0.6	240	3	0.100
GE 30-HO2RS	30	34.2	30	18	47	40.7	0.2	0.6	310	3	0.140
GE 35-HO2RS	35	40.0	35	20	55	47.0	0.3	1.0	400	3	0.240
GE 40-HO2RS	40	45.0	38	22	62	53.0	0.3	1.0	500	3	0.290
GE 45-HO2RS	45	51.5	40	25	68	60.0	0.3	1.0	640	3	0.430
GE 50-HO2RS	50	56.5	43	28	75	66.0	0.3	1.0	780	3	0.540
GE 60-HO2RS	60	67.7	54	36	90	80.0	0.3	1.0	1220	3	1.100
GE 70-HO2RS	70	78.0	65	40	105	92.0	0.3	1.0	1560	3	1.600
GE 80-HO2RS	80	90.0	74	45	120	105.0	0.3	1.0	2000	3	2.400

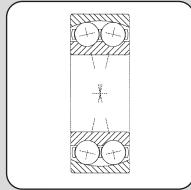
Deep groove ball bearings DIN 625 T1	P. 2-5
Deep groove ball bearings stainless steel DIN 625 T1	P. 2-15
Angular ball bearings DIN 628 T1	P. 2-17
Spindle bearings DIN 628 T1	P. 2-19
Self aligning ball bearings DIN 630	P. 2-20
Self aligning roller bearings DIN 635 T2	P. 2-22
McGill Self aligning roller bearings	P. 2-23
Taper roller bearings with cylindrical bore DIN ISO 355 and DIN 720	P. 2-25
Deep groove ball thrust bearing DIN 711	P. 2-26
<hr/>	
Steel balls	P. 2-27



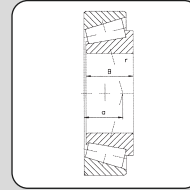
Deep groove ball bearings  
Deep groove ball bearings  
stainless steel



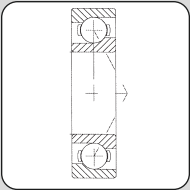
Self aligning ball bearings



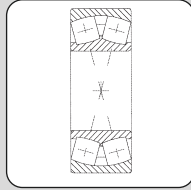
Taper roller bearings  
with cylindrical bore



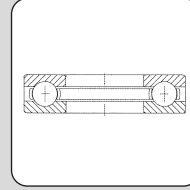
Angular ball bearings



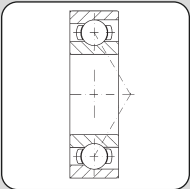
Self aligning roller bearings



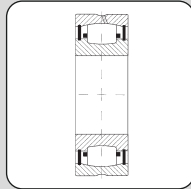
Deep groove ball thrust bearing



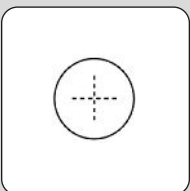
Spindle bearings



McGill Self aligning roller bearings



Steel balls



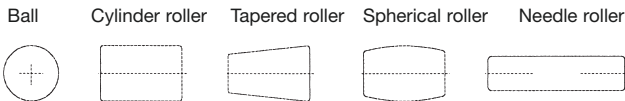
## Technical information

### Rolling bearing

- Blanket term for all bearings with roller bodies

### Shapes of rolling bearings

- Rolling bearings are first and foremost categorized as ball bearings or roller bearings according to the shape of the roller body. Rolling bearings can generally withstand far greater forces than ball bearings. On the other hand, ball bearings have higher speeds than roller bearings.



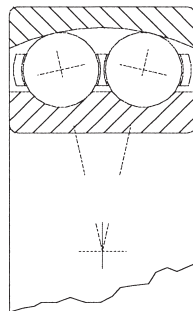
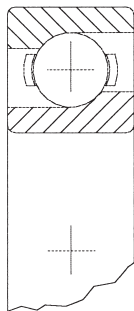
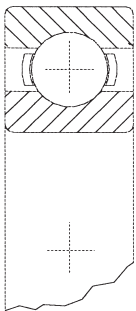
### Ball bearing (radial bearing)

- Ball bearings are categorized according to their typical design characteristics:

**Deep groove ball bearings:**  
one or two grooves in the inner and outer ring

**Angular ball bearings:**  
the load is transferred from one ring to the other via an angle

**Self-aligning ball bearings:**  
are able to compensate for misalignments of the shaft to the casing to a certain extent



### Roller bearing (radial bearing)

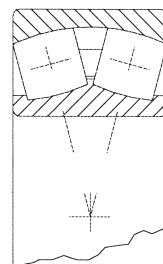
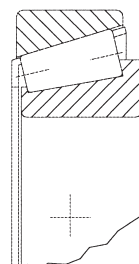
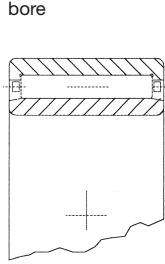
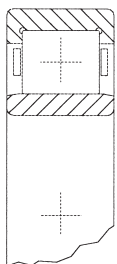
- Roller bearings are categorized according to the shape of the roller:

**Cylinder roller bearings:**  
can withstand great forces radially exerted on the bearing

**Needle roller bearings:**  
can withstand forces radially exerted on the bearing; considerably smaller outer diameter with the same nominal bore

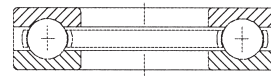
**Tapered roller bearings:**  
can withstand forces radially and axially exerted on the bearing

**Self-aligning roller bearings:**  
formerly called spherical roller bearings; able to compensate for misalignments of the shaft to the casing to a certain extent



### Axial bearing

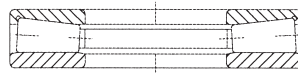
- Only the axial bearings are marked with the prefix **axial**. I.e., if a designation does not contain this word, the bearing is radial!



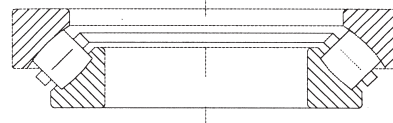
Axial deep groove ball bearing



Axial cylinder roller bearing



Axial tapered roller bearing

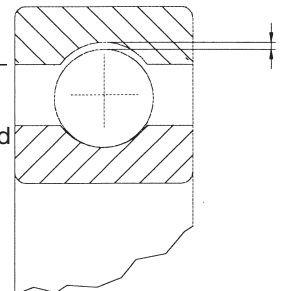


Axial swivel-joint roller bearing

### Bearing clearance

- The bearing clearance is the gap between the parts in a roller bearing axially or radially. The bearing clearance is standardized. Roller bearings are offered with various bearing clearances depending on the type of bearing. Generally, one speaks of standard clearance, greater than standard clearance, and less than standard clearance.

Added designation	Bearing clearance
C2	less than standard
C0	standard
C3	greater than standard
C4	greater than C3
C5	greater than C4



### Rolling bearing tolerances

- The tolerances of roller bearings are standardized according to DIN 620 T1 to T6 and divided into various accuracy classes. The accuracy classes are marked in the DIN norm as **normal, P6, P5, P4**.

The accuracy increases as the number decreases!

	DIN-Norm
higher quality ↓	Normal
	P6
	P5
	P4

**Tolerances are the admissible values that deviate from the nominal sizes.**





### Designation of the rolling bearings

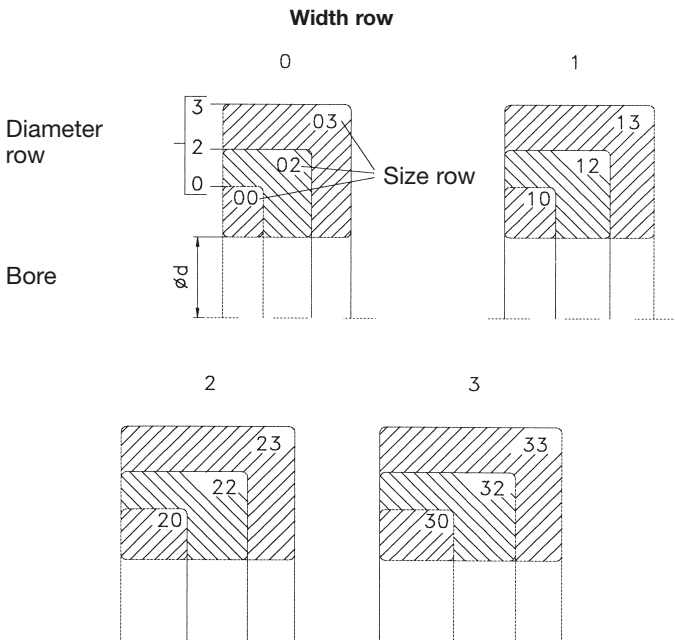
The outer dimensions of the rolling bearings are set forth in DIN 616 in accordance with DIN ISO 355.

They are designed so that several outer diameters and widths are assigned to each bearing bore to provide a large range of load capacity for bearings with the same bore and design. This designation system is also set forth in DIN 623.

A distinction is made between the diameter rows: and the width rows:

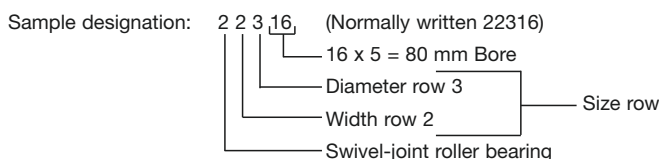
<b>0</b> (very light)	<b>0</b>
<b>2</b> (light)	<b>1</b>
<b>3</b> (medium)	<b>2</b>
<b>4</b> (heavy)	<b>3</b>

These relations are made clear in the following graphic. It should, however, be kept in mind that the standardized bearing designations do not correspond to this system in all cases.



### Bearing abbreviations

A bearing abbreviation consists of numbers or of letters and numbers. The first number or letter group indicates the bearing design (deep groove ball bearing, tapered roller bearing, self-aligning roller bearings, etc.) and the width and diameter row (light, medium, heavy, etc.); the second number group indicates the bore code. The size of the bore of the bearing is a function of the multiplication of the code by 5 (above a bore diameter  $\geq 20$  mm).



The bearing designations without the added designation indicate normal bearings, for instance with normal size, shape and run accuracy in accordance with the tolerances in DIN 620. Deviations are described by the added designations. These prefixes indicate bearing components (rings, cages),

while suffixes indicate special aspects of the interior construction, size tolerances, run accuracy, bearing clearance, etc.

### Prefixes

Prefixes are used very rarely. They normally mark single parts of complete bearings.

### Suffixes

Suffixes mark special models that deviate from the standard. In particular, they include information about:

- interior design
- outer shape
- bearing clearance
- cage model
- lubricant
- tolerances
- seals

### Selection of rolling bearings

The design engineer can select the best type of bearing based on the characteristic properties of the various types of roller bearings and the operating conditions of the arrangement of the bearings. Here, the special or most important conditions of each case for the bearings that could influence the selection of the best bearing for the task are to be taken into consideration. Various types of bearings may be best for the given operating conditions in many cases.

The effective outer forces and the demands for service life and operating safety determine the size of the bearing needed. Above all, the decisive factors for the selection of the type and size of the bearing are the size, direction and type of loads that will be exerted on the bearing and the operating speed. Space limitations often require the selection of bearings with small cross-sections or even multiple rows of bearings to attain the necessary load-bearing capacity and service life.

If the bearings have to be very accurate, bearings with great accuracy, especially ball bearings and cylinder roller bearings, should be used as they are produced in the highest accuracy classes.

The operating temperature of the bearings influences the design of the arrangement of the bearings both from the viewpoint of the selection of lubricant and the model of the bearing when the operating temperature continually rises above 100°C. The inner bearing clearance must be suited to the operating conditions, which are mostly determined by the temperature difference between the inner and outer ring, by the effects of the heat fed to the bearing, or by the effect of the high speed.

Furthermore, the selection of the bearing is also influenced by the simplicity of the installation, demands on lubrication and seals, and demands for low friction and low running noise.

A distinction is made for roller bearings between static and dynamic loads.



## Service life

The service life of a bearing is the number of revolutions or the running number in operating hours that a bearing works at a set speed before the first signs of material fatigue (peeling) appear on the roller bodies or the running paths. There can, however be great differences in the service life of the same type and size of bearing under the same operating conditions. For this reason, the term service life was clearly defined for a calculation, and the **nominal service life** was used as the basis with an eye to operating safety and to fulfill the ISO recommendation. That means that this service life is met or exceeded by 90% of a large number of the same bearings under the same operating conditions.

We thus do not use the term service life to mean the time until a bearing fails due only to the dynamic material fatigue of the bearing rings or the roller bodies. Unforeseen failures due, for instance, to improper installation, errors in the design of the bearing, errors in maintenance, and the entrance of dirt and moisture.

## Load rating

- The **static load rating C<sub>0</sub>** corresponds to the load under which the entire remaining deformation of roller bodies and running paths is maximally 0.0001 of the roller body's diameter. The calculation is based on surface pressure in the center of the pressure field.
- The **dynamic load rating C** corresponds to the load under which 90% of a large number of the same roller bearings attain a nominal service life of 1 million revolutions before they fail due to the fatigue of the roller surface. For radial bearings, the dynamic load rating refers to the purely radial, unchanging load and the rotating inner ring, while the purely axial, unchanging load is used for axial bearings. For each bearing, the dynamic load rating C is indicated in the bearing tables. This number depends on the dimensions of the bearing, the number of roller bodies, the material, and the model of the bearing.

### Note:

The showed load ratings are only valid if bearings are mounted into housings or on shafts. Therefore the mounting place of bearing has to be designed (fit, roundness of components) in such way that a deformation of bearing can be prevent resp. a appropriate stability (stiffness) of housing and shaft can be reached.

## Lubrication of rolling bearings

Rolling bearings must be lubricated for three reasons:

1. To prevent metallic contact between the roller bodies, bearing rings, and cages.
2. To prevent corrosion.
3. To prevent wear.

Normally, roller bearings are lubricated with grease. During installing, only 30-50% of the empty space where the bearing is being installed should be filled with grease.

In the course of time, lubricants lose their lubrication. Used or dirty lubricants therefore have to be renewed or replaced. For this lubrication, only greases and oils suitable for bearings may be used.

Sealed bearings are generally lubricated with high-performance lithium-saponified greases. These greases normally have a temperature range from -20°C to +110°C, withstanding operating temperatures of +110°C for short times. Under constant operation above 70°C, these standard lithium-saponified greases tend to be effective for shorter periods.

For sufficient values under constant use at higher temperatures, use special greases.

Keep in mind, though, that the use limits of the contact seals used is +110°C. For use above this limit, make sure that seals made of heat-resistant materials can be used.

Non-marked bearings are generally dimensionally stable up to a limit temperature of 120°C. Operating temperatures above 120°C require special heat treatment (stabilization) to prevent inadmissible changes in the bearing dimensions due to crystallization. Such treated bearings are marked with special marks.

As already mentioned, always make sure that the use limit of the contact seals used in the standard is at +110°C. For use above this limit, make sure that seals made of heat-resistant materials can be used.

## Regreasing intervals

The usable life of the grease is influenced by many factors. The regreasing intervals in our table thus can only be seen as very rough estimates.

**Experience with comparable bearings or ones already used is therefore very important as not all operating conditions and influential factors that affect the service life of a lubricant – and hence also the bearing – are known or determinable in many cases.**

Operating temperature of the bearing in °C	Lubrication interval		
	Operating conditions		
	clean	dirty	very dirty most dirty
50	3 years	6 months	3 months
70	1 year	2 months	1 month
100	3 months	2 weeks	1 week
110	6 weeks	1 weeks	3 days

## Speed limit

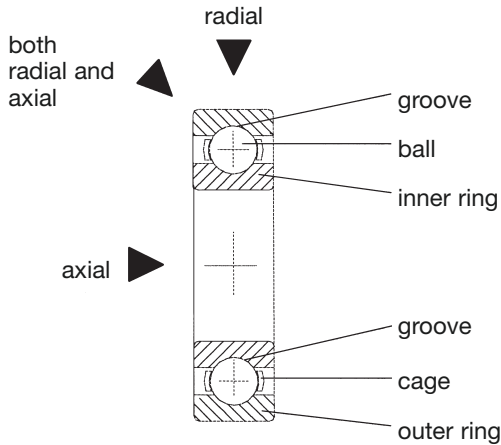
The bearing load, the bearing clearance, the lubricant, and the heat elimination and heat supply influence the speed limit. The speed limit given in the tables apply for purely radial loads on radial bearings and purely axial loads on axial bearings, normal tolerance of the bearing clearance, no external heat, no excessive operating temperatures, and low, absolutely shock-free loads.



## Deep groove ball bearing single-row (DIN 625 T1)

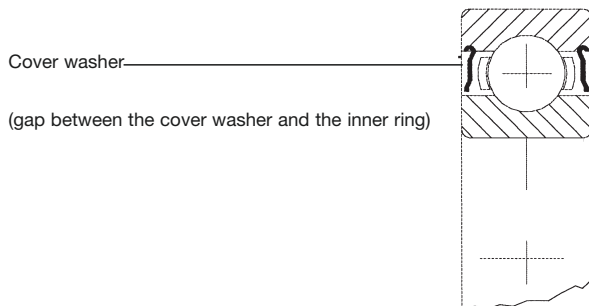
The deep groove bearing is the most commonly used roller bearing due to its great versatility. It can withstand loads both radially and axially.

### Design characteristics



### Seal with cover washer

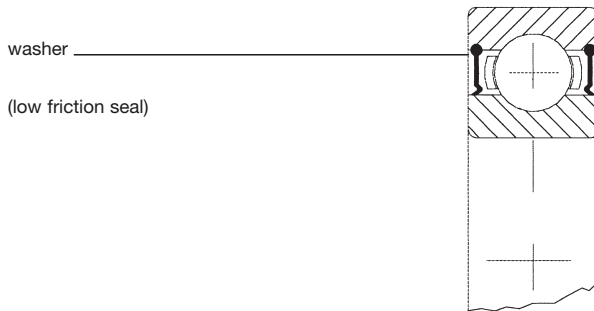
Deep groove ball bearing with 1 or 2 cover washers (Z or 2Z model) for shafts  $\varnothing$  3 to 120 mm. Sealing effects for standard applications, low friction, for high speeds, ready for installation, greased, low noise. These seals do not, however, replace overpressure seals. The temperature range for standard lubrication with lithium-saponified lubricant at between  $-20^{\circ}$  to  $+110^{\circ}\text{C}$ . These greases withstand operating temperatures of  $+110^{\circ}\text{C}$  for short periods. Under constant operation above  $70^{\circ}\text{C}$ , these greases tend to be effective for shorter periods.



### Seal with sealing washer

Deep groove ball bearings with 1 or 2 sealing washers (RS or 2RS models) for shafts  $\varnothing$  6 to 80 mm. Sealing effect for standard applications. The seals do not, however, replace overpressure seals. The use limit of the contact seals used in the standard is  $+110^{\circ}\text{C}$ . Low noise, ready for installation, greased, maintenance-free operation. The temperature range for standard lubrication with lithium-saponified lubricants is from  $-20^{\circ}\text{C}$  to  $+110^{\circ}\text{C}$ .

These greases withstand operating temperatures of  $+110^{\circ}\text{C}$  for short periods. Under constant operation above  $70^{\circ}\text{C}$ , these greases tend to be effective for shorter periods.



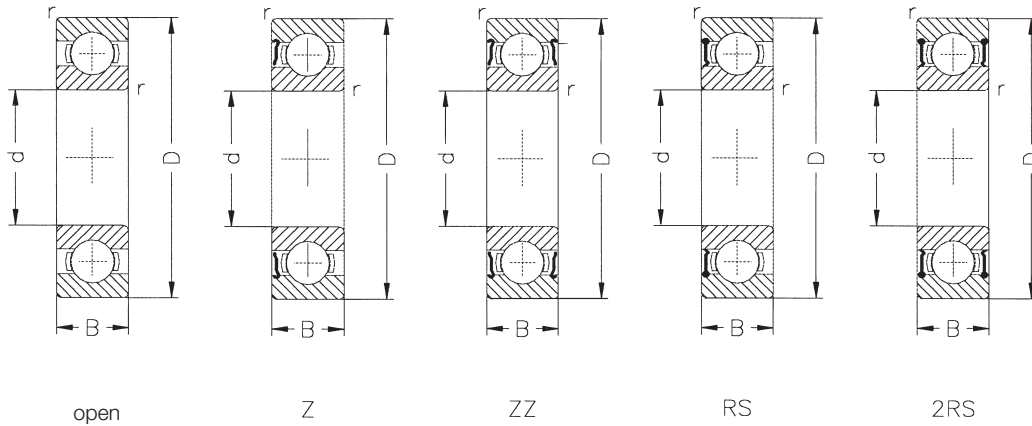
### Warning:

The deep groove ball bearings with cover washers and sealing washers must not be washed off!

For both styles of sealing it may occur a small loss of grease during running-in.

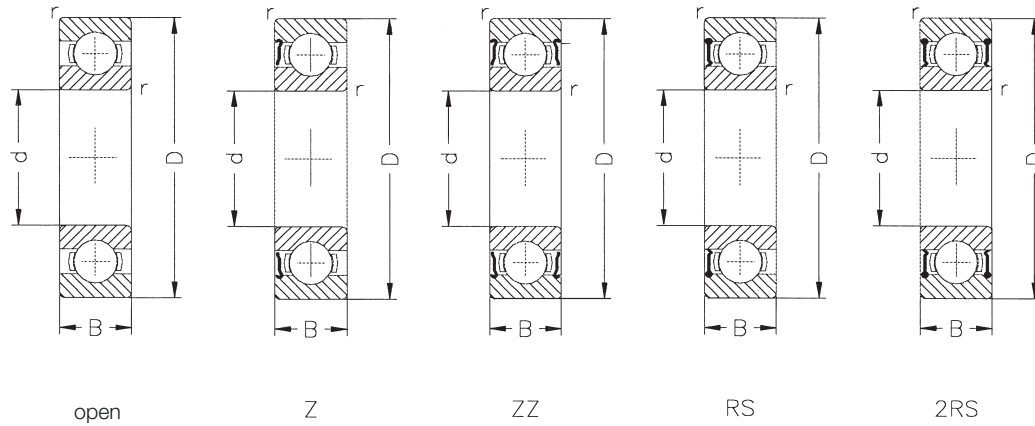


## Deep groove ball bearings



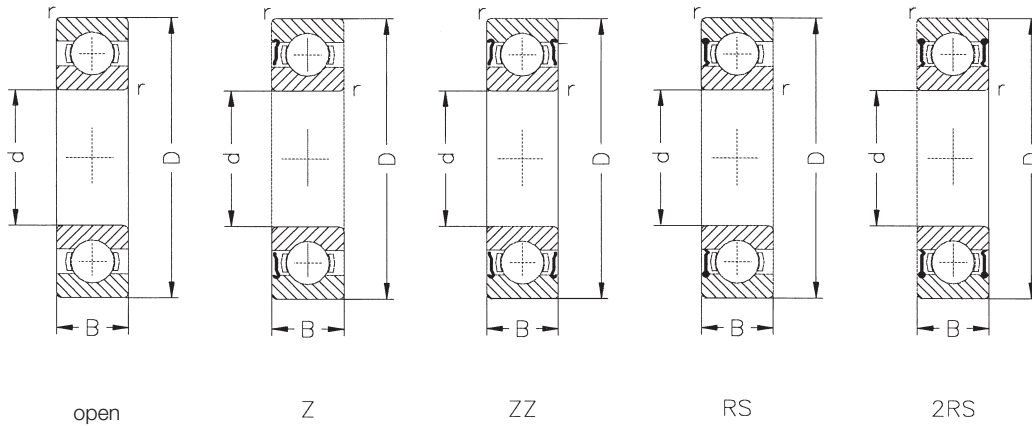
Dimensions				Load ratings		Limiting speed		Bearing No.	Weight kg
d mm	D mm	B mm	r min. mm	dynamic C kN	static C <sub>0</sub> kN	grease min <sup>-1</sup>	oil min <sup>-1</sup>		
3	10	4	0.15	0.51	0.22	40000	48000	623	0.002
3	10	4	0.15	0.51	0.22	40000		623-Z	0.002
3	10	4	0.15	0.51	0.22	40000		623-ZZ	0.002
4	13	5	0.20	0.90	0.40	38000	45000	624	0.003
4	13	5	0.20	0.90	0.40	38000		624-Z	0.003
4	13	5	0.20	0.90	0.40	38000		624-ZZ	0.003
4	16	5	0.30	1.46	0.67	26000	43000	634	0.005
4	16	5	0.30	1.46	0.67	26000		634-Z	0.005
4	16	5	0.30	1.46	0.67	26000		634-ZZ	0.005
5	16	5	0.30	1.32	0.44	36000	43000	625	0.006
5	16	5	0.30	1.32	0.44	36000		625-Z	0.006
5	16	5	0.30	1.32	0.44	36000		625-ZZ	0.006
5	19	6	0.30	2.20	1.04	32000	38000	635	0.009
5	19	6	0.30	2.20	1.04	32000		635-Z	0.009
5	19	6	0.30	2.20	1.04	32000		635-ZZ	0.009
6	19	6	0.30	1.76	0.86	32000	38000	626	0.008
6	19	6	0.30	1.76	0.86	32000		626-Z	0.008
6	19	6	0.30	1.76	0.86	32000		626-ZZ	0.008
6	19	6	0.30	1.76	0.86	22000		626-RS	0.008
6	19	6	0.30	1.76	0.86	22000		626-2RS	0.008
7	19	6	0.30	1.76	0.86	36000	43000	607	0.009
7	19	6	0.30	1.76	0.86	36000		607-Z	0.009
7	19	6	0.30	1.76	0.86	36000		607-ZZ	0.009
7	19	6	0.30	1.76	0.86	32000		607-RS	0.009
7	19	6	0.30	1.76	0.86	32000		607-2RS	0.009
7	22	7	0.30	1.76	0.86	36000	43000	627	0.012
7	22	7	0.30	1.76	0.86	36000		627-Z	0.012
7	22	7	0.30	1.76	0.86	36000		627-ZZ	0.012
7	22	7	0.30	1.76	0.86	32000		627-RS	0.012
7	22	7	0.30	1.76	0.86	32000		627-2RS	0.012
8	22	7	0.30	2.60	1.32	30000	36000	608	0.013
8	22	7	0.30	2.60	1.32	30000		608-Z	0.013
8	22	7	0.30	2.60	1.32	30000		608-ZZ	0.013
8	22	7	0.30	2.60	1.32	19000		608-RS	0.013
8	22	7	0.30	2.60	1.32	19000		608-2RS	0.013
9	24	7	0.30	2.65	1.37	30000	36000	609	0.015
9	24	7	0.30	2.65	1.37	30000		609-Z	0.015
9	24	7	0.30	2.65	1.37	30000		609-ZZ	0.015
9	24	7	0.30	2.65	1.37	18000		609-RS	0.015
9	24	7	0.30	2.65	1.37	18000		609-2RS	0.015
9	26	8	0.60	3.55	1.86	28000	34000	629	0.020
9	26	8	0.60	3.55	1.86	28000		629-Z	0.020
9	26	8	0.60	3.55	1.86	28000		629-ZZ	0.020
9	26	8	0.60	3.55	1.86	19000		629-RS	0.020
9	26	8	0.60	3.55	1.86	19000		629-2RS	0.020

## Deep groove ball bearings



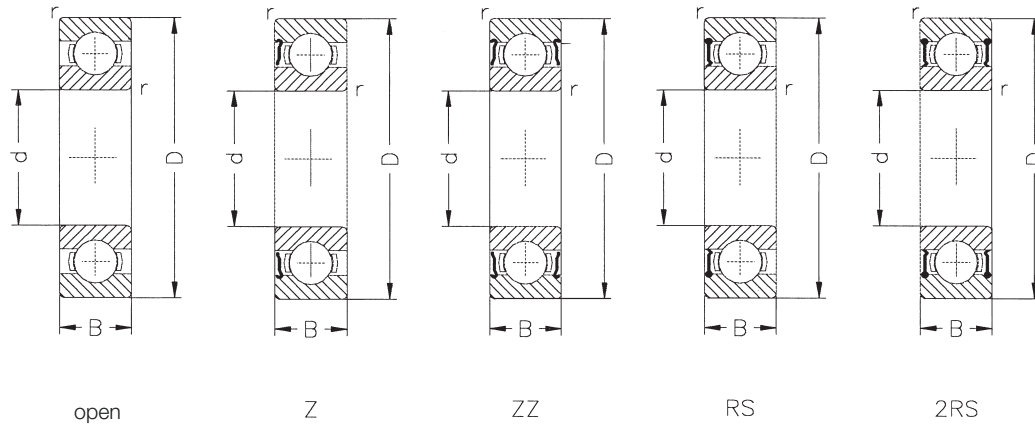
Dimensions				Load ratings		Limiting speed		Bearing no.	Weight
d mm	D mm	B mm	r min. mm	dynamic C kN	static C <sub>0</sub> kN	grease min <sup>-1</sup>	oil min <sup>-1</sup>		
10	19	5	0.30	<b>1.38</b>	<b>0.59</b>	36000	43000	61800	0.005
10	19	5	0.30	<b>1.38</b>	<b>0.59</b>	36000		61800-ZZ	0.005
10	19	5	0.30	<b>1.38</b>	<b>0.59</b>	20000		61800-2RS	0.005
10	22	6	0.30	<b>1.95</b>	<b>0.75</b>	34000	40000	61900	0.010
10	22	6	0.30	<b>1.95</b>	<b>0.75</b>	34000		61900-ZZ	0.010
10	22	6	0.30	<b>1.95</b>	<b>0.75</b>	19000		61900-2RS	0.010
10	26	8	0.30	<b>3.98</b>	<b>1.96</b>	28000	34000	6000	0.020
10	26	8	0.30	<b>3.98</b>	<b>1.96</b>	28000		6000-Z	0.020
10	26	8	0.30	<b>3.98</b>	<b>1.96</b>	28000		6000-ZZ	0.020
10	26	8	0.30	<b>3.98</b>	<b>1.96</b>	17000		6000-RS	0.020
10	26	8	0.30	<b>3.98</b>	<b>1.96</b>	17000		6000-2RS	0.020
10	30	9	0.60	<b>4.42</b>	<b>2.60</b>	24000	30000	6200	0.032
10	30	9	0.60	<b>4.42</b>	<b>2.60</b>	24000		6200-Z	0.032
10	30	9	0.60	<b>4.42</b>	<b>2.60</b>	24000		6200-ZZ	0.032
10	30	9	0.60	<b>4.42</b>	<b>2.60</b>	17000		6200-RS	0.032
10	30	9	0.60	<b>4.42</b>	<b>2.60</b>	17000		6200-2RS	0.032
10	35	11	0.60	<b>7.58</b>	<b>3.45</b>	20000	25000	6300	0.057
10	35	11	0.60	<b>7.58</b>	<b>3.45</b>	20000		6300-Z	0.057
10	35	11	0.60	<b>7.58</b>	<b>3.45</b>	20000		6300-ZZ	0.057
10	35	11	0.60	<b>7.58</b>	<b>3.45</b>	15000		6300-RS	0.057
10	35	11	0.60	<b>7.58</b>	<b>3.45</b>	15000		6300-2RS	0.057
12	21	5	0.30	<b>1.43</b>	<b>0.67</b>	32000	38000	61801	0.006
12	21	5	0.30	<b>1.43</b>	<b>0.67</b>	32000		61801-ZZ	0.006
12	21	5	0.30	<b>1.43</b>	<b>0.67</b>	19000		61801-2RS	0.006
12	24	6	0.30	<b>2.25</b>	<b>0.98</b>	28000	34000	61901	0.011
12	24	6	0.30	<b>2.25</b>	<b>0.98</b>	28000		61901-ZZ	0.011
12	24	6	0.30	<b>2.25</b>	<b>0.98</b>	18000		61901-2RS	0.011
12	28	8	0.30	<b>4.42</b>	<b>2.36</b>	25500	32000	6001	0.022
12	28	8	0.30	<b>4.42</b>	<b>2.36</b>	25500		6001-Z	0.022
12	28	8	0.30	<b>4.42</b>	<b>2.36</b>	25500		6001-ZZ	0.022
12	28	8	0.30	<b>4.42</b>	<b>2.36</b>	17000		6001-RS	0.022
12	28	8	0.30	<b>4.42</b>	<b>2.36</b>	17000		6001-2RS	0.022
12	32	10	0.60	<b>6.00</b>	<b>3.10</b>	22000	28000	6201	0.040
12	32	10	0.60	<b>6.00</b>	<b>3.10</b>	22000		6201-Z	0.040
12	32	10	0.60	<b>6.00</b>	<b>3.10</b>	22000		6201-ZZ	0.040
12	32	10	0.60	<b>6.00</b>	<b>3.10</b>	15000		6201-RS	0.040
12	32	10	0.60	<b>6.00</b>	<b>3.10</b>	15000		6201-2RS	0.040
12	37	12	1.00	<b>8.50</b>	<b>4.15</b>	18500	23000	6301	0.065
12	37	12	1.00	<b>8.50</b>	<b>4.15</b>	18500		6301-Z	0.065
12	37	12	1.00	<b>8.50</b>	<b>4.15</b>	18500		6301-ZZ	0.065
12	37	12	1.00	<b>8.50</b>	<b>4.01</b>	13000		6301-RS	0.065
12	37	12	1.00	<b>8.50</b>	<b>4.15</b>	13000		6301-2RS	0.065
15	24	5	0.30	<b>1.56</b>	<b>0.80</b>	28000	34000	61802	0.007
15	24	5	0.30	<b>1.56</b>	<b>0.80</b>	28000		61802-ZZ	0.007
15	24	5	0.30	<b>1.56</b>	<b>0.80</b>	17000		61802-2RS	0.007
15	28	7	0.30	<b>4.03</b>	<b>2.04</b>	24000	30000	61902	0.016
15	28	7	0.30	<b>4.03</b>	<b>2.04</b>	24000		61902-ZZ	0.016
15	28	7	0.30	<b>4.03</b>	<b>2.04</b>	16000		61902-2RS	0.016
15	32	8	0.30	<b>5.60</b>	<b>2.85</b>	24000	30000	16002	0.027

## Deep groove ball bearings



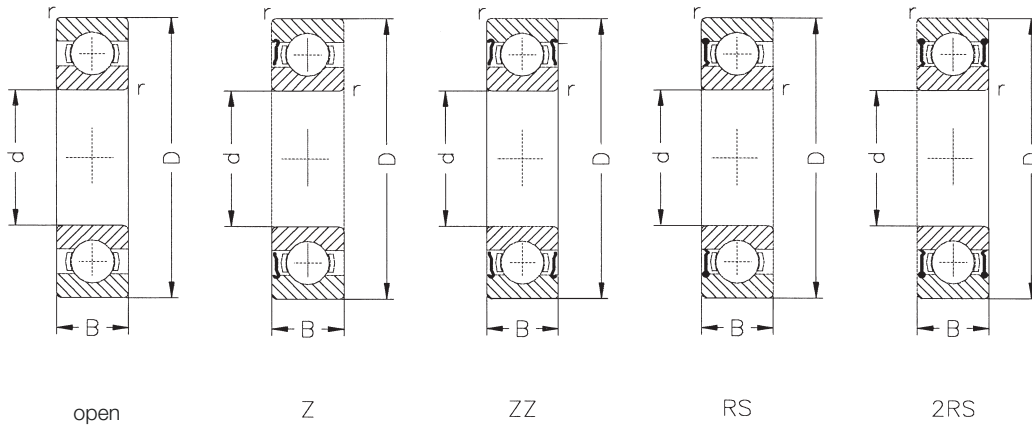
Dimensions				Load ratings		Limiting speed		Bearing no.	Weight kg
d mm	D mm	B mm	r min. mm	dynamic C kN	static C <sub>0</sub> kN	grease min <sup>-1</sup>	oil min <sup>-1</sup>		
15	32	9	0.30	4.82	2.85	22000	28000	6002	0.032
15	32	9	0.30	4.82	2.85	22000		6002-Z	0.032
15	32	9	0.30	4.82	2.85	22000		6002-ZZ	0.032
15	32	9	0.30	4.82	2.85	14000		6002-RS	0.032
15	32	9	0.30	4.82	2.85	14000		6002-2RS	0.032
15	35	11	0.60	6.70	3.75	19000	24000	6202	0.048
15	35	11	0.60	6.70	3.75	19000		6202-Z	0.048
15	35	11	0.60	6.70	3.75	19000		6202-ZZ	0.048
15	35	11	0.60	6.70	3.75	13000		6202-RS	0.048
15	35	11	0.60	6.70	3.75	13000		6202-2RS	0.048
15	42	13	1.00	9.88	5.40	15500	20000	6302	0.092
15	42	13	1.00	9.88	5.40	15500		6302-Z	0.092
15	42	13	1.00	9.88	5.40	15500		6302-ZZ	0.092
15	42	13	1.00	9.88	5.40	12000		6302-RS	0.092
15	42	13	1.00	9.88	5.40	12000		6302-2RS	0.092
17	26	5	0.30	1.68	0.93	24000	30000	61803	0.008
17	26	5	0.30	1.68	0.93	24000		61803-ZZ	0.008
17	26	5	0.30	1.68	0.93	16000		61803-2RS	0.008
17	30	7	0.30	4.36	2.32	22000	28000	61903	0.018
17	30	7	0.30	4.36	2.32	22000		61903-ZZ	0.018
17	30	7	0.30	4.36	2.32	14000		61903-2RS	0.018
17	35	8	0.30	6.00	3.25	22000	28000	16003	0.032
17	35	10	0.30	5.15	3.25	20000	25000	6003	0.042
17	35	10	0.30	5.15	3.25	20000		6003-Z	0.042
17	35	10	0.30	5.15	3.25	20000		6003-ZZ	0.042
17	35	10	0.30	5.15	3.25	13000		6003-RS	0.042
17	35	10	0.30	5.15	3.25	13000		6003-2RS	0.042
17	40	12	0.60	8.28	4.75	17000	21000	6203	0.069
17	40	12	0.60	8.28	4.75	17000		6203-Z	0.069
17	40	12	0.60	8.28	4.75	17000		6203-ZZ	0.069
17	40	12	0.60	8.28	4.75	12000		6203-RS	0.069
17	40	12	0.60	8.28	4.75	12000		6203-2RS	0.069
17	47	14	1.00	11.80	6.55	14000	17000	6303	0.121
17	47	14	1.00	11.80	6.55	14000		6303-Z	0.121
17	47	14	1.00	11.80	6.55	14000		6303-ZZ	0.121
17	47	14	1.00	11.80	6.55	11000		6303-RS	0.121
17	47	14	1.00	11.80	6.55	11000		6303-2RS	0.121
20	32	7	0.30	2.70	1.50	19000	24000	61804	0.018
20	32	7	0.30	2.70	1.50	19000		61804-ZZ	0.018
20	32	7	0.30	2.70	1.50	13000		61804-2RS	0.018
20	37	9	0.30	6.37	3.65	18000	22000	61904	0.038
20	37	9	0.30	6.37	3.65	18000		61904-ZZ	0.038
20	37	9	0.30	6.37	3.65	12000		61904-2RS	0.038
20	42	8	0.30	6.95	4.05	18000	22000	16004	0.049
20	42	12	0.60	8.09	5.00	16500	20000	6004	0.072
20	42	12	0.60	8.09	5.00	16500		6004-Z	0.072
20	42	12	0.60	8.09	5.00	16500		6004-ZZ	0.072
20	42	12	0.60	8.09	5.00	11000		6004-RS	0.072
20	42	12	0.60	8.09	5.00	11000		6004-2RS	0.072

## Deep groove ball bearings



Dimensions				Load ratings		Limiting speed		Bearing no.	Weight
d mm	D mm	B mm	r min. mm	dynamic C kN	static C <sub>0</sub> kN	oil min <sup>-1</sup>	oil min <sup>-1</sup>		
20	47	14	1.00	11.10	6.55	14000	17000	6204	0.117
20	47	14	1.00	11.10	6.55	14000		6204-Z	0.117
20	47	14	1.00	11.10	6.55	14000		6204-ZZ	0.117
20	47	14	1.00	11.10	6.55	10000		6204-RS	0.117
20	47	14	1.00	11.10	6.55	10000		6204-2RS	0.117
20	52	15	1.10	13.90	7.80	12000	15000	6304	0.158
20	52	15	1.10	13.90	7.80	12000		6304-Z	0.158
20	52	15	1.10	13.90	7.80	12000		6304-ZZ	0.158
20	52	15	1.10	13.90	7.80	9000		6304-RS	0.158
20	52	15	1.10	13.90	7.80	9000		6304-2RS	0.158
25	37	7	0.30	4.36	2.60	17000	20000	61805	0.022
25	37	7	0.30	4.36	2.60	17000		61805-ZZ	0.022
25	37	7	0.30	4.36	2.60	11000		61805-2RS	0.022
25	42	9	0.30	6.63	4.00	16000	19000	61905	0.045
25	42	9	0.30	6.63	4.00	16000		61905-ZZ	0.045
25	42	9	0.30	6.63	4.00	10000		61905-2RS	0.045
25	47	8	0.30	7.20	4.65	16000	19000	16005	0.056
25	47	12	0.60	8.62	5.85	14500	18000	6005	0.086
25	47	12	0.60	8.62	5.85	14500		6005-Z	0.086
25	47	12	0.60	8.62	5.85	14500		6005-ZZ	0.086
25	47	12	0.60	8.62	5.85	9500		6005-RS	0.086
25	47	12	0.60	8.62	5.85	9500		6005-2RS	0.086
25	52	15	1.00	12.10	7.80	12000	14500	6205	0.142
25	52	15	1.00	12.10	7.80	12000		6205-Z	0.142
25	52	15	1.00	12.10	7.80	12000		6205-ZZ	0.142
25	52	15	1.00	12.10	7.80	8500		6205-RS	0.142
25	52	15	1.00	12.10	7.80	8500		6205-2RS	0.142
25	62	17	1.10	20.60	11.40	10000	12000	6305	0.248
25	62	17	1.10	20.60	11.40	10000		6305-Z	0.248
25	62	17	1.10	20.60	11.40	10000		6305-ZZ	0.248
25	62	17	1.10	20.60	11.40	7500		6305-RS	0.248
25	62	17	1.10	20.60	11.40	7500		6305-2RS	0.248
30	42	7	0.30	4.49	2.90	15000	18000	61806	0.027
30	42	7	0.30	4.49	2.90	15000		61806-ZZ	0.027
30	42	7	0.30	4.49	2.90	9500		61806-2RS	0.027
30	47	9	0.30	7.28	4.55	14000	17000	61906	0.051
30	47	9	0.30	7.28	4.55	14000		61906-ZZ	0.051
30	47	9	0.30	7.28	4.55	8500		61906-2RS	0.051
30	55	9	0.30	11.20	7.35	13000	16000	16006	0.084
30	55	13	1.00	11.30	8.00	12000	15000	6006	0.128
30	55	13	1.00	11.30	8.00	12000		6006-Z	0.128
30	55	13	1.00	11.30	8.00	12000		6006-ZZ	0.128
30	55	13	1.00	11.30	8.00	8000		6006-RS	0.128
30	55	13	1.00	11.30	8.00	8000		6006-2RS	0.128
30	62	16	1.00	16.80	11.20	10000	12500	6206	0.192
30	62	16	1.00	16.80	11.20	10000		6206-Z	0.192
30	62	16	1.00	16.80	11.20	10000		6206-ZZ	0.192
30	62	16	1.00	16.80	11.20	7500		6206-RS	0.192
30	62	16	1.00	16.80	11.20	7500		6206-2RS	0.192

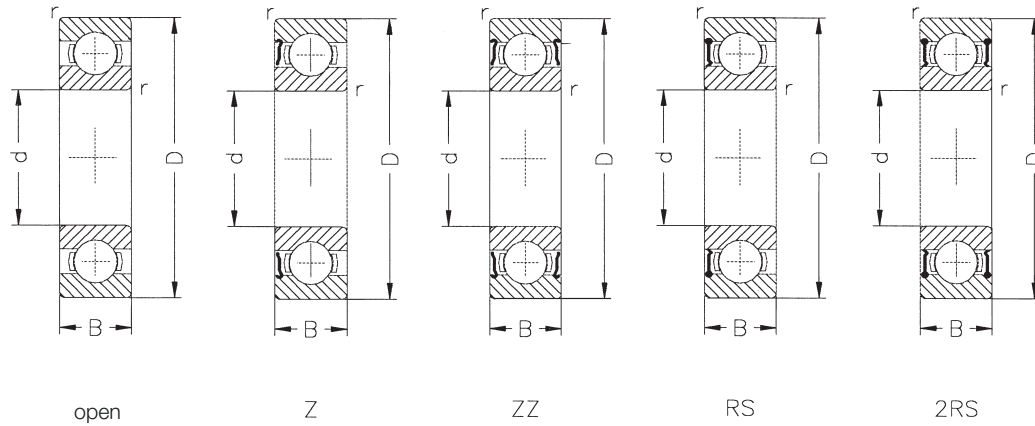
## Deep groove ball bearings



Dimensions				Load ratings		Limiting speed		Bearing no.	Weight kg
d mm	D mm	B mm	r min. mm	dynamic C kN	static C <sub>0</sub> kN	grease min <sup>-1</sup>	oil min <sup>-1</sup>		
30	72	19	1.10	24.40	16.30	8400	10000	6306	0.348
30	72	19	1.10	24.40	16.30	8400		6306-Z	0.348
30	72	19	1.10	24.40	16.30	8400		6306-ZZ	0.348
30	72	19	1.10	24.40	16.30	6300		6306-RS	0.348
30	72	19	1.10	24.40	16.30	6300		6306-2RS	0.348
35	47	7	0.30	4.75	3.20	13000	16000	61807	0.030
35	47	7	0.30	4.75	3.20	13000		61807-ZZ	0.030
35	47	7	0.30	4.75	3.20	8000		61807-2RS	0.030
35	55	10	0.60	9.56	6.20	11000	14000	61907	0.080
35	55	10	0.60	9.56	6.20	11000		61907-ZZ	0.080
35	55	10	0.60	9.56	6.20	7500		61907-2RS	0.080
35	62	9	0.30	12.20	8.80	11000	14000	16007	0.107
35	62	14	1.00	13.60	10.40	10500	13000	6007	0.167
35	62	14	1.00	13.60	10.40	10500		6007-Z	0.167
35	62	14	1.00	13.60	10.40	10500		6007-ZZ	0.167
35	62	14	1.00	13.60	10.40	7000		6007-RS	0.167
35	62	14	1.00	13.60	10.40	7000		6007-2RS	0.167
35	72	17	1.00	22.20	15.30	8800	11000	6207	0.315
35	72	17	1.00	22.20	15.30	8800		6207-Z	0.315
35	72	17	1.00	22.20	15.30	8800		6207-ZZ	0.315
35	72	17	1.00	22.20	15.30	6300		6207-RS	0.315
35	72	17	1.00	22.20	15.30	6300		6207-2RS	0.315
35	80	21	1.10	28.90	19.00	7300	9000	6307	0.503
35	80	21	1.10	28.90	19.00	7300		6307-Z	0.503
35	80	21	1.10	28.90	19.00	7300		6307-ZZ	0.503
35	80	21	1.10	28.90	19.00	5600		6307-RS	0.503
35	80	21	1.10	28.90	19.00	5600		6307-2RS	0.503
40	52	7	0.30	4.94	3.45	11000	14000	61808	0.034
40	52	7	0.30	4.94	3.45	11000		61808-ZZ	0.034
40	52	7	0.30	4.94	3.45	7500		61808-2RS	0.034
40	62	12	0.60	13.80	9.30	10000	13000	61908	0.120
40	62	12	0.60	13.80	9.30	10000		61908-ZZ	0.120
40	62	12	0.60	13.80	9.30	6700		61908-2RS	0.120
40	68	9	0.30	13.20	10.20	10000	13000	16008	0.126
40	68	15	1.00	14.30	11.50	9500	12000	6008	0.213
40	68	15	1.00	14.30	11.50	9500		6008-Z	0.213
40	68	15	1.00	14.30	11.50	9500		6008-ZZ	0.213
40	68	15	1.00	14.30	11.50	6300		6008-RS	0.213
40	68	15	1.00	14.30	11.50	6300		6008-2RS	0.213
40	80	18	1.10	25.10	18.00	7800	9500	6208	0.402
40	80	18	1.10	25.10	18.00	7800		6208-Z	0.402
40	80	18	1.10	25.10	18.00	7800		6208-ZZ	0.402
40	80	18	1.10	25.10	18.00	5600		6208-RS	0.402
40	80	18	1.10	25.10	18.00	5600		6208-2RS	0.402
40	90	23	1.50	35.30	25.00	6700	8000	6308	0.685
40	90	23	1.50	35.30	25.00	6700		6308-Z	0.685
40	90	23	1.50	35.30	25.00	6700		6308-ZZ	0.685
40	90	23	1.50	35.30	25.00	5000		6308-RS	0.685
40	90	23	1.50	35.30	25.00	5000		6308-2RS	0.685

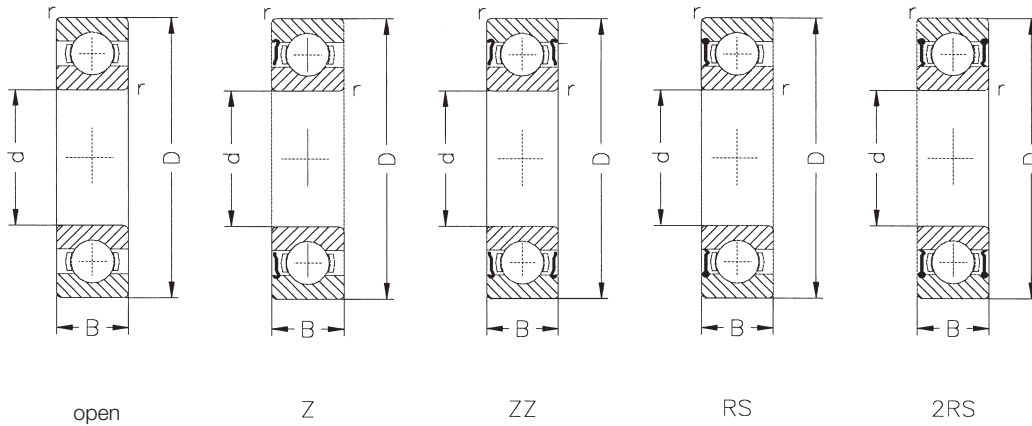


## Deep groove ball bearings



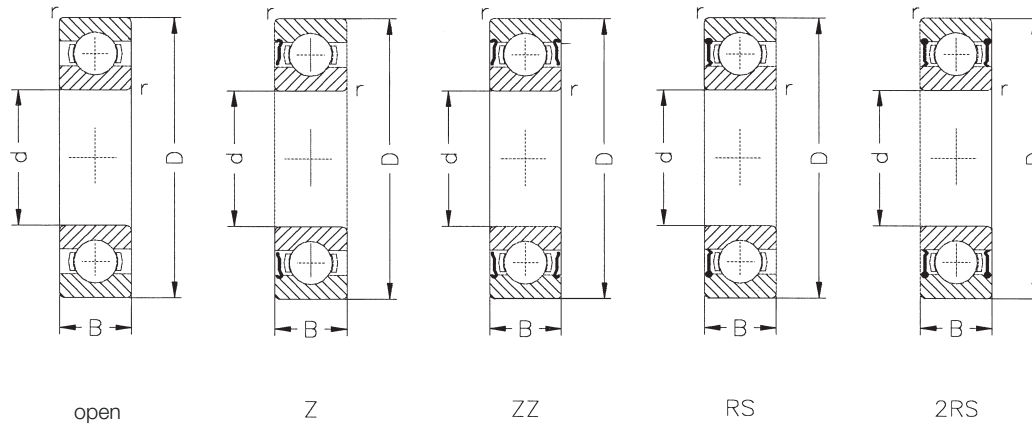
Dimensions				Load ratings		Limiting speed		Bearing no.	Weight
d mm	D mm	B mm	r min. mm	dynamic C kN	static C <sub>0</sub> kN	grease min <sup>-1</sup>	oil min <sup>-1</sup>		
45	58	7	0.30	<b>6.05</b>	<b>4.30</b>	9500	12000	61809	0.040
45	58	7	0.30	<b>6.05</b>	<b>4.30</b>	9500		61809-ZZ	0.040
45	58	7	0.30	<b>6.05</b>	<b>4.30</b>	6700		61809-2RS	0.040
45	68	12	0.60	<b>10.10</b>	<b>6.70</b>	9000	11000	61909	0.140
45	68	12	0.60	<b>10.10</b>	<b>6.70</b>	9000		61909-ZZ	0.140
45	68	12	0.60	<b>10.10</b>	<b>6.70</b>	6000		61909-2RS	0.140
45	75	10	0.60	<b>15.60</b>	<b>12.20</b>	9000	11000	16009	0.168
45	75	16	1.00	<b>17.80</b>	<b>14.30</b>	8500	10500	6009	0.263
45	75	16	1.00	<b>17.80</b>	<b>14.30</b>	8500		6009-Z	0.263
45	75	16	1.00	<b>17.80</b>	<b>14.30</b>	8500		6009-ZZ	0.263
45	75	16	1.00	<b>17.80</b>	<b>14.30</b>	5600		6009-RS	0.263
45	75	16	1.00	<b>17.80</b>	<b>14.30</b>	5600		6009-2RS	0.263
45	85	19	1.10	<b>28.20</b>	<b>20.40</b>	7300	8800	6209	0.446
45	85	19	1.10	<b>28.20</b>	<b>20.40</b>	7300		6209-Z	0.446
45	85	19	1.10	<b>28.20</b>	<b>20.40</b>	7300		6209-ZZ	0.446
45	85	19	1.10	<b>28.20</b>	<b>20.40</b>	5000		6209-RS	0.446
45	85	19	1.10	<b>28.20</b>	<b>20.40</b>	5000		6209-2RS	0.446
45	100	25	1.50	<b>45.80</b>	<b>32.00</b>	5900	7100	6309	0.914
45	100	25	1.50	<b>45.80</b>	<b>32.00</b>	5900		6309-Z	0.914
45	100	25	1.50	<b>45.80</b>	<b>32.00</b>	5900		6309-ZZ	0.914
45	100	25	1.50	<b>45.80</b>	<b>32.00</b>	4500		6309-RS	0.914
45	100	25	1.50	<b>45.80</b>	<b>32.00</b>	4500		6309-2RS	0.914
50	65	7	0.30	<b>6.24</b>	<b>4.75</b>	9000	11000	61810	0.052
50	65	7	0.30	<b>6.24</b>	<b>4.75</b>	9000		61810-ZZ	0.052
50	65	7	0.30	<b>6.24</b>	<b>4.75</b>	6000		61810-2RS	0.052
50	72	12	0.60	<b>14.60</b>	<b>10.40</b>	8500	10000	61910	0.140
50	72	12	0.60	<b>14.60</b>	<b>10.40</b>	8500		61910-ZZ	0.140
50	72	12	0.60	<b>14.60</b>	<b>10.40</b>	5600		61910-2RS	0.140
50	80	10	0.60	<b>16.00</b>	<b>13.20</b>	8500	10000	16010	0.180
50	80	16	1.00	<b>18.50</b>	<b>15.60</b>	8000	10000	6010	0.293
50	80	16	1.00	<b>18.50</b>	<b>15.60</b>	8000		6010-Z	0.293
50	80	16	1.00	<b>18.50</b>	<b>15.60</b>	8000		6010-ZZ	0.293
50	80	16	1.00	<b>18.50</b>	<b>15.60</b>	5000		6010-RS	0.293
50	80	16	1.00	<b>18.50</b>	<b>15.60</b>	5000		6010-2RS	0.293
50	90	20	1.10	<b>30.10</b>	<b>23.90</b>	6600	8300	6210	0.506
50	90	20	1.10	<b>30.10</b>	<b>23.90</b>	6600		6210-Z	0.506
50	90	20	1.10	<b>30.10</b>	<b>23.90</b>	6600		6210-ZZ	0.506
50	90	20	1.10	<b>30.10</b>	<b>23.90</b>	4800		6210-RS	0.506
50	90	20	1.10	<b>30.10</b>	<b>23.90</b>	4800		6210-2RS	0.506
50	110	27	2.00	<b>53.60</b>	<b>38.00</b>	5300	6500	6310	1.170
50	110	27	2.00	<b>53.60</b>	<b>38.00</b>	5300		6310-Z	1.170
50	110	27	2.00	<b>53.60</b>	<b>38.00</b>	5300		6310-ZZ	1.170
50	110	27	2.00	<b>53.60</b>	<b>38.00</b>	4000		6310-RS	1.170
50	110	27	2.00	<b>53.60</b>	<b>38.00</b>	4000		6310-2RS	1.170
55	90	11	0.60	<b>19.30</b>	<b>16.30</b>	7500	9000	16011	0.263
55	90	18	1.10	<b>24.00</b>	<b>21.00</b>	7200	9000	6011	0.462
55	90	18	1.10	<b>24.00</b>	<b>21.00</b>	7200		6011-Z	0.462
55	90	18	1.10	<b>24.00</b>	<b>21.00</b>	7200		6011-ZZ	0.462
55	90	18	1.10	<b>24.00</b>	<b>21.00</b>	4500		6011-RS	0.462

## Deep groove ball bearings



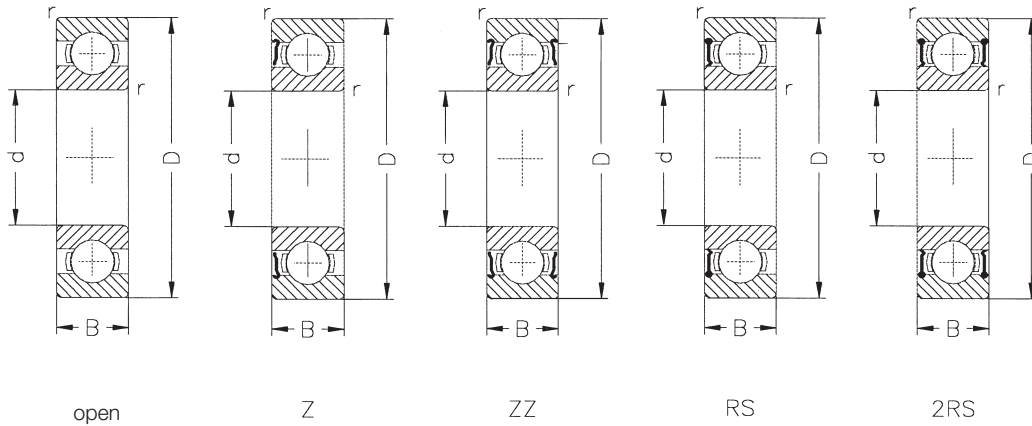
Dimensions				Load ratings		Limiting speed		Bearing no.	Weight kg
d mm	D mm	B mm	r min. mm	dynamic C kN	static C <sub>0</sub> kN	grease min <sup>-1</sup>	oil min <sup>-1</sup>		
55	90	18	1.10	24.00	21.00	4500		6011-2RS	0.462
55	100	21	1.50	37.30	29.00	6100	7500	6211	0.667
55	100	21	1.50	37.30	29.00	6100		6211-Z	0.667
55	100	21	1.50	37.30	29.00	6100		6211-ZZ	0.667
55	100	21	1.50	37.30	29.00	4300		6211-RS	0.667
55	100	21	1.50	37.30	29.00	4300		6211-2RS	0.667
55	120	29	2.10	62.00	47.50	4800	6000	6311	1.500
55	120	29	2.10	62.00	47.50	4800		6311-Z	1.500
55	120	29	2.10	62.00	47.50	4800		6311-ZZ	1.500
55	120	29	2.10	62.00	47.50	3600		6311-RS	1.500
55	120	29	2.10	62.00	47.50	3600		6311-2RS	1.500
60	95	11	0.60	20.00	17.60	7000	8500	16012	0.279
60	95	18	1.10	24.90	22.80	6700	8000	6012	0.459
60	95	18	1.10	24.90	22.80	6700		6012-Z	0.459
60	95	18	1.10	24.90	22.80	6700		6012-ZZ	0.459
60	95	18	1.10	24.90	22.80	4300		6012-RS	0.459
60	95	18	1.10	24.90	22.80	4300		6012-2RS	0.459
60	110	22	1.50	45.10	36.00	5400	6700	6212	0.852
60	110	22	1.50	45.10	36.00	5400		6212-Z	0.852
60	110	22	1.50	45.10	36.00	5400		6212-ZZ	0.852
60	110	22	1.50	45.10	36.00	4000		6212-RS	0.852
60	110	22	1.50	45.10	36.00	4000		6212-2RS	0.852
60	130	31	2.10	70.90	52.00	4500	5500	6312	1.880
60	130	31	2.10	70.90	52.00	4500		6312-Z	1.880
60	130	31	2.10	70.90	52.00	4500		6312-ZZ	1.880
60	130	31	2.10	70.90	52.00	3400		6312-RS	1.880
60	130	31	2.10	70.90	52.00	3400		6312-2RS	1.880
65	100	11	0.60	21.20	19.60	6700	8000	16013	0.298
65	100	18	1.10	26.60	24.00	6300	7500	6013	0.435
65	100	18	1.10	26.60	24.00	6300		6013-ZZ	0.436
65	100	18	1.10	26.60	24.00	4000		6013-2RS	0.436
65	120	23	1.50	49.10	41.30	5000	6200	6213	1.080
65	120	23	1.50	49.10	41.30	5000		6213-ZZ	1.080
65	120	23	1.50	49.10	41.30	3600		6213-2RS	1.080
65	140	33	2.10	80.30	60.00	4200	5000	6313	2.320
65	140	33	2.10	80.30	60.00	4200		6313-ZZ	2.320
65	140	33	2.10	80.30	60.00	3000		6313-2RS	2.320
70	110	13	0.60	28.00	25.00	6000	7000	16014	0.434
70	110	20	1.10	32.20	30.30	5700	6800	6014	0.675
70	110	20	1.10	32.20	30.30	5700		6014-ZZ	0.675
70	110	20	1.10	32.20	30.30	3600		6014-2RS	0.675
70	125	24	1.50	53.40	44.00	4700	5800	6214	1.170
70	125	24	1.50	53.40	44.00	4700		6214-ZZ	1.170
70	125	24	1.50	53.40	44.00	3400		6214-2RS	1.170
70	150	35	2.10	90.20	68.00	3800	4500	6314	1.820
70	150	35	2.10	90.20	68.00	3800		6314-ZZ	1.820
70	150	35	2.10	90.20	68.00	2800		6314-2RS	1.820

## Deep groove ball bearings



Dimensions				Load ratings		Limiting speed		Bearing no.	Weight
d mm	D mm	B mm	r min. mm	dynamic C kN	static C <sub>0</sub> kN	grease min <sup>-1</sup>	oil min <sup>-1</sup>		
75	115	13	0.60	28.50	27.00	5600	6700	16015	0.456
75	115	20	1.10	33.30	32.60	5400	6500	6015	0.720
75	115	20	1.10	33.30	32.60	5400		6015-ZZ	0.720
75	115	20	1.10	33.30	32.60	3400		6015-2RS	0.720
75	130	25	1.50	56.60	49.00	4400	5400	6215	1.300
75	130	25	1.50	56.60	49.00	4400		6215-ZZ	1.300
75	130	25	1.50	56.60	49.00	4000		6215-2RS	1.300
75	160	37	2.10	98.30	76.50	3600	4200	6315	3.390
75	160	37	2.10	98.30	76.50	3600		6315-ZZ	3.390
75	160	37	2.10	98.30	76.50	3600		6315-2RS	0.390
80	125	14	0.60	32.00	31.00	5300	6300	16016	0.615
80	125	22	1.10	40.30	39.00	5000	6000	6016	0.850
80	125	22	1.10	40.30	39.00	5000		6016-ZZ	0.850
80	125	22	1.10	40.30	39.00	5000		6016-2RS	0.850
80	140	26	2.00	62.20	53.00	4200	5200	6216	1.420
80	140	26	2.00	62.20	53.00	4200		6216-ZZ	1.420
80	140	26	2.00	62.20	53.00	3000		6216-2RS	1.420
80	170	39	2.10	106.00	86.50	3400	4000	6316	3.730
80	170	39	2.10	106.00	86.50	3400		6316-ZZ	3.730
80	170	39	2.10	106.00	86.50	2600		6316-2RS	3.730
85	130	14	0.60	34.20	33.50	5000	6000	16017	0.641
85	130	22	1.10	41.80	41.90	4800	5600	6017	0.895
85	130	22	1.10	41.80	41.90	4800		6017-ZZ	0.895
85	150	28	2.00	71.20	64.00	3900	4800	6217	1.820
85	150	28	2.00	71.20	64.00	3900		6217-ZZ	1.820
85	180	41	3.00	115.00	88.00	3200	3800	6317	4.240
85	180	41	3.00	115.00	88.00	3200		6317-ZZ	4.240
90	140	16	1.00	41.50	39.00	4500	5300	16018	0.859
90	140	24	1.50	49.20	48.70	4500	5300	6018	1.180
90	140	24	1.50	49.20	48.70	4500		6018-ZZ	1.180
90	160	30	2.00	82.30	72.00	3700	4500	6218	2.200
90	160	30	2.00	82.30	72.00	3700		6218-ZZ	2.200
90	190	43	3.00	123.00	102.00	3000	3600	6318	5.270
90	190	43	3.00	123.00	102.00	3000		6318-ZZ	5.270
95	145	16	1.00	40.00	40.50	4500	5300	16019	0.905
95	145	24	1.50	51.10	52.30	4300	5000	6019	1.210
95	145	24	1.50	51.10	52.30	4300		6019-ZZ	1.210
95	170	32	2.10	93.30	81.50	3500	4300	6219	2.670
95	170	32	2.10	93.30	81.50	3500		6219-ZZ	2.670
95	200	45	3.00	132.00	112.00	2800	3400	6319	6.140
95	200	45	3.00	132.00	112.00	2800		6319-ZZ	6.140
100	150	16	1.00	44.00	44.00	4300	5000	16020	0.929
100	150	24	1.50	50.60	52.50	4000	4800	6020	1.260
100	150	24	1.50	50.60	52.50	4000		6020-ZZ	1.260
100	180	34	2.10	105.00	93.00	3300	4000	6220	3.220
100	180	34	2.10	105.00	93.00	3300		6220-ZZ	3.220

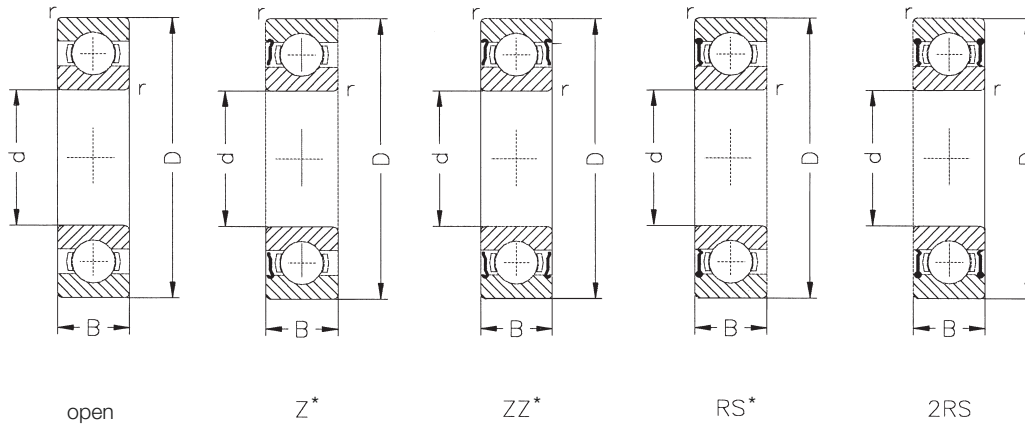
## Deep groove ball bearings



Dimensions				Load ratings		Limiting speed		Bearing no.	Weight kg
d mm	D mm	B mm	r min. mm	dynamic C kN	static C <sub>0</sub> kN	grease min <sup>-1</sup>	oil min <sup>-1</sup>		
100	215	47	3.00	150.00	134.00	2600	3200	6320	7.560
100	215	47	3.00	150.00	134.00	2600		6320-ZZ	7.560
105	160	18	1.00	54.00	54.00	4000	4800	16021	1.220
105	160	26	2.00	61.10	63.90	3900	4700	6021	1.580
105	160	26	2.00	61.10	63.90	3900		6021-ZZ	1.580
110	170	19	1.00	57.00	57.00	3800	4500	16022	1.490
110	170	28	2.00	69.30	71.00	3600	5300	6022	1.970
110	170	28	2.00	69.30	71.00	3600		6022-ZZ	1.970
110	200	38	2.10	124.00	116.00	3000	3600	6222	4.570
110	200	38	2.10	124.00	116.00	3000		6222-ZZ	4.570
110	240	50	3.00	178.00	166.00	2600	3200	6322	10.300
110	240	50	3.00	178.00	166.00	2600		6322-ZZ	10.300
120	180	19	1.00	61.00	64.00	3400	4800	16024	1.600
120	180	28	2.00	71.50	76.90	3400	4000	6024	2.110
120	180	28	2.00	71.50	76.90	3400		6024-ZZ	2.110
120	215	40	2.10	133.00	122.00	2800	3400	6224	5.600
120	215	40	2.10	133.00	122.00	2800		6224-ZZ	5.600
120	260	50	3.00	178.00	190.00	2400	3000	6324	12.800
120	260	50	3.00	178.00	190.00	2400		6324-ZZ	12.800

Further sizes are available on request.

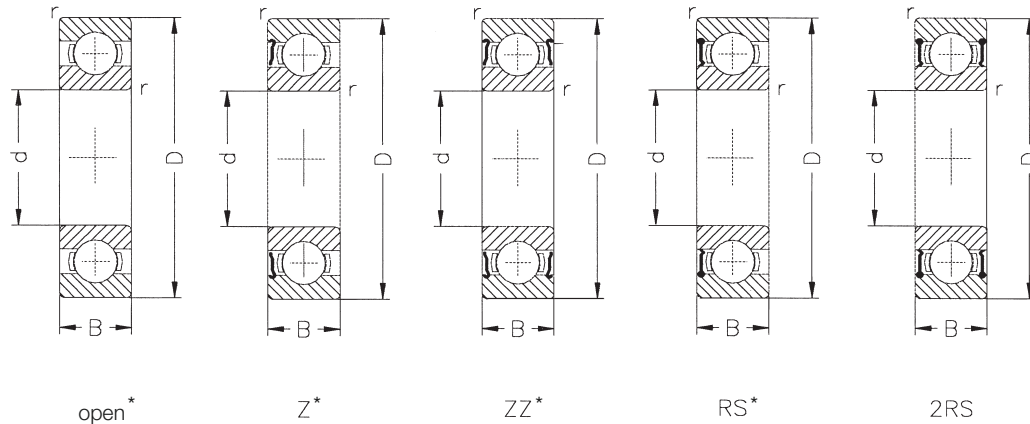
## Deep groove ball bearings stainless steel



Dimensions				Load ratings		Limiting speed		Bearing No.	Weight kg
d mm	D mm	B mm	r min. mm	dynamic C kN	static C <sub>0</sub> kN	grease min <sup>-1</sup>	oil min <sup>-1</sup>		
10	26	8	0.3	3.20	1.80	25000	30000	SS 6000	0.020
10	26	8	0.3	3.20	1.80	25000		SS 6000-Z	0.020
10	26	8	0.3	3.20	1.80	25000		SS 6000-ZZ	0.020
10	26	8	0.3	3.20	1.80	15000		SS 6000-RS	0.020
10	26	8	0.3	3.20	1.80	15000		SS 6000-2RS	0.020
10	30	9	0.6	3.50	2.10	23000	36435	SS 6200	0.032
10	30	9	0.6	3.50	2.10	23000		SS 6200-Z	0.032
10	30	9	0.6	3.50	2.10	23000		SS 6200-ZZ	0.032
10	30	9	0.6	3.50	2.10	15000		SS 6200-RS	0.032
10	30	9	0.6	3.50	2.10	15000		SS 6200-2RS	0.032
12	28	8	0.3	3.50	2.10	23000	28800	SS 6001	0.022
12	28	8	0.3	3.50	2.10	23000		SS 6001-Z	0.022
12	28	8	0.3	3.50	2.10	23000		SS 6001-ZZ	0.022
12	28	8	0.3	3.50	2.10	15000		SS 6001-RS	0.022
12	28	8	0.3	3.50	2.10	15000		SS 6001-2RS	0.022
12	32	10	0.6	4.80	2.80	21600	27000	SS 6201	0.040
12	32	10	0.6	4.80	2.80	21600		SS 6201-Z	0.040
12	32	10	0.6	4.80	2.80	21600		SS 6201-ZZ	0.040
12	32	10	0.6	4.80	2.80	14400		SS 6201-RS	0.040
12	32	10	0.6	4.80	2.80	14400		SS 6201-2RS	0.040
15	32	9	0.3	3.82	2.40	21600	27000	SS 6002	0.032
15	32	9	0.3	3.82	2.40	21600		SS 6002-Z	0.032
15	32	9	0.3	3.82	2.40	21600		SS 6002-ZZ	0.032
15	32	9	0.3	3.82	2.40	13500		SS 6002-RS	0.032
15	32	9	0.3	3.82	2.40	13500		SS 6002-2RS	0.032
15	35	11	0.6	5.36	3.30	18000	23400	SS 6202	0.048
15	35	11	0.6	5.36	3.30	18000		SS 6202-Z	0.048
15	35	11	0.6	5.36	3.30	18000		SS 6202-ZZ	0.048
15	35	11	0.6	5.36	3.30	12600		SS 6202-RS	0.048
15	35	11	0.6	5.36	3.30	12600		SS 6202-2RS	0.048
17	35	10	0.3	4.12	2.70	19800	25200	SS 6003	0.042
17	35	10	0.3	4.12	2.70	19800		SS 6003-Z	0.042
17	35	10	0.3	4.12	2.70	19800		SS 6003-ZZ	0.042
17	35	10	0.3	4.12	2.70	11700		SS 6003-RS	0.042
17	35	10	0.3	4.12	2.70	11700		SS 6003-2RS	0.042
17	40	12	0.6	6.60	4.22	16200	19800	SS 6203	0.069
17	40	12	0.6	6.60	4.22	16200		SS 6203-Z	0.069
17	40	12	0.6	6.60	4.22	16200		SS 6203-ZZ	0.069
17	40	12	0.6	6.60	4.22	10800		SS 6203-RS	0.069
17	40	12	0.6	6.60	4.22	10800		SS 6203-2RS	0.069
20	42	12	0.6	6.50	4.25	15300	18000	SS 6004	0.072
20	42	12	0.6	6.50	4.25	15300		SS 6004-Z	0.072
20	42	12	0.6	6.50	4.25	15300		SS 6004-ZZ	0.072
20	42	12	0.6	6.50	4.25	9900		SS 6004-RS	0.072
20	42	12	0.6	6.50	4.25	9900		SS 6004-2RS	0.072

\*) on request

## Deep groove ball bearings stainless steel



Dimensions				Load ratings		Limiting speed		Bearing No.	Weight kg
d mm	D mm	B mm	r min. mm	dynamic C kN	static C <sub>0</sub> kN	grease min <sup>-1</sup>	oil min <sup>-1</sup>		
20	47	14	1.0	8.90	5.78	13500	16200	SS 6204	0.117
20	47	14	1.0	8.90	5.78	13500		SS 6204-Z	0.117
20	47	14	1.0	8.90	5.78	13500		SS 6204-ZZ	0.117
20	47	14	1.0	8.90	5.78	9000		SS 6204-RS	0.117
20	47	14	1.0	8.90	5.78	9000		SS 6204-2RS	0.117
25	47	12	0.6	6.90	4.80	13500	16200	SS 6005	0.086
25	47	12	0.6	6.90	4.80	13500		SS 6005-Z	0.086
25	47	12	0.6	6.90	4.80	13500		SS 6005-ZZ	0.086
25	47	12	0.6	6.90	4.80	8550		SS 6005-RS	0.086
25	47	12	0.6	6.90	4.80	8550		SS 6005-2RS	0.086
25	52	15	1.0	9.68	6.64	12600	15300	SS 6205	0.142
25	52	15	1.0	9.68	6.64	12600		SS 6205-Z	0.142
25	52	15	1.0	9.68	6.64	12600		SS 6205-ZZ	0.142
25	52	15	1.0	9.68	6.64	8100		SS 6205-RS	0.142
25	52	15	1.0	9.68	6.64	8100		SS 6205-2RS	0.142
30	55	13	1.0	9.04	6.72	11700	14400	SS 6006	0.128
30	55	13	1.0	9.04	6.72	11700		SS 6006-Z	0.128
30	55	13	1.0	9.04	6.72	11700		SS 6006-ZZ	0.128
30	55	13	1.0	9.04	6.72	9900		SS 6006-RS	0.128
30	55	13	1.0	9.04	6.72	9900		SS 6006-2RS	0.128
30	62	16	1.0	13.44	9.52	9900	12600	SS 6206	0.215
30	62	16	1.0	13.44	9.52	9900		SS 6206-Z	0.215
30	62	16	1.0	13.44	9.52	9900		SS 6206-ZZ	0.215
30	62	16	1.0	13.44	9.52	7500		SS 6206-RS	0.215
30	62	16	1.0	13.44	9.52	7500		SS 6206-2RS	0.215
35	62	14	1.0	10.88	8.32	9900	12600	SS 6007	0.167
35	62	14	1.0	10.88	8.32	9900		SS 6007-Z	0.167
35	62	14	1.0	10.88	8.32	9900		SS 6007-ZZ	0.167
35	62	14	1.0	10.88	8.32	6300		SS 6007-RS	0.167
35	62	14	1.0	10.88	8.32	6300		SS 6007-2RS	0.167
35	72	17	1.0	17.76	12.96	8550	10800	SS 6207	0.315
35	72	17	1.0	17.76	12.96	8550		SS 6207-Z	0.315
35	72	17	1.0	17.76	12.96	8550		SS 6207-ZZ	0.315
35	72	17	1.0	17.76	12.96	5670		SS 6207-RS	0.315
35	72	17	1.0	17.76	12.96	5670		SS 6207-2RS	0.315

) on request

Further sizes are available on request.

### Materialien

Inner ring: made of stainless steel material, hardened

Outer ring: made of stainless steel material, hardened

Roller body: made of stainless steel material, hardened

Cover washers: made of stainless steel material

Sealing washers: synthetic material

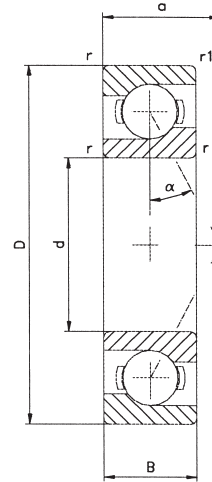
## Angular ball bearings, single-row (DIN 628 T1)

Pressure angle  $\alpha = 40^\circ$

B.TVP = Solid window-type cage of glass fibre intensified polyamide

B.TVP.UA = Solid window-type cage of glass fibre intensified polyamide, universal version for pairwise mounting, with thrust clearance (for pairwise mounting note lower limiting speed)

B.TVP.UO = Solid window-type cage of glass fibre intensified polyamide, unsiversal version for pairwise mounting, without clearance (for pairwise mounting note lower limiting speed)



Dimensions						Load ratings		Limiting speed		Bearing No.	Weight kg
d mm	D mm	B mm	r mm	r <sub>1</sub> mm	a mm	dynamic C kN	static C <sub>0</sub> kN	grease min <sup>-1</sup>	oil min <sup>-1</sup>		
17	40	12	0.6	0.6	18.0	10.00	5.50	15000	20000	7203- B.TVP	0.067
17	40	12	0.6	0.6	18.0	10.00	5.50	15000	20000	7203- B.TVP.UO	0.067
17	47	14	1.0	0.6	20.0	16.00	8.30	13000	18000	7303- B.TVP	0.113
20	47	14	1.0	0.6	21.0	13.40	7.65	13000	18000	7204- B.TVP	0.107
20	47	14	1.0	0.6	21.0	13.40	7.65	13000	18000	7204- B.TVP.UO	0.107
20	47	14	1.0	0.6	21.0	13.40	7.65	13000	18000	7204- B.TVP.UA	0.107
20	52	15	1.1	0.6	23.0	19.00	10.40	12000	17000	7304- B.TVP	0.146
20	52	15	1.1	0.6	23.0	19.00	10.40	12000	17000	7304- B.TVP.UO	0.146
20	52	15	1.1	0.6	23.0	19.00	10.40	12000	17000	7304- B.TVP.UA	0.146
25	52	15	1.0	0.6	24.0	14.60	9.30	11000	16000	7205- B.TVP	0.131
25	52	15	1.0	0.6	24.0	14.60	9.30	11000	16000	7205- B.TVP.UO	0.131
25	52	15	1.0	0.6	24.0	14.60	9.30	11000	16000	7205- B.TVP.UA	0.131
25	62	17	1.1	0.6	27.0	26.00	15.00	9500	14000	7305- B.TVP	0.229
25	62	17	1.1	0.6	27.0	26.00	15.00	9500	14000	7305- B.TVP.UO	0.229
25	62	17	1.1	0.6	27.0	26.00	15.00	9500	14000	7305- B.TVP.UA	0.229
30	62	16	1.0	0.6	27.0	20.40	13.40	9000	13000	7206- B.TVP	0.201
30	62	16	1.0	0.6	27.0	20.40	13.40	9000	13000	7206- B.TVP.UO	0.201
30	62	16	1.0	0.6	27.0	20.40	13.40	9000	13000	7206- B.TVP.UA	0.201
30	72	19	1.1	0.6	31.0	32.50	20.00	8000	11000	7306- B.TVP	0.349
30	72	19	1.1	0.6	31.0	32.50	20.00	8000	11000	7306- B.TVP.UO	0.349
30	72	19	1.1	0.6	31.0	32.50	20.00	8000	11000	7306- B.TVP.UA	0.349
35	72	17	1.1	0.6	31.0	27.00	18.30	8000	11000	7207- B.TVP	0.287
35	72	17	1.1	0.6	31.0	27.00	18.30	8000	11000	7207- B.TVP.UO	0.287
35	72	17	1.1	0.6	31.0	27.00	18.30	8000	11000	7207- B.TVP.UA	0.287
35	80	21	1.5	1.0	35.0	39.00	25.00	7000	9500	7307- B.TVP	0.456
35	80	21	1.5	1.0	35.0	39.00	25.00	7000	9500	7307- B.TVP.UO	0.456
35	80	21	1.5	1.0	35.0	39.00	25.00	7000	9500	7307- B.TVP.UA	0.456
40	80	18	1.1	0.6	34.0	32.00	23,20	7000	9500	7208- B.TVP	0.373
40	80	18	1.1	0.6	34.0	32.00	23,20	7000	9500	7208- B.TVP.UO	0.373
40	80	18	1.1	0.6	34.0	32.00	23,20	7000	9500	7208- B.TVP.UA	0.373
40	90	23	1.5	1.0	39.0	50.00	32.50	6300	8500	7308- B.TVP	0.626
40	90	23	1.5	1.0	39.0	50.00	32.50	6300	8500	7308- B.TVP.UO	0.626
40	90	23	1.5	1.0	39.0	50.00	32.50	6300	8500	7308- B.TVP.UA	0.626
45	85	19	1.1	0.6	37.0	36.00	26.50	6300	8500	7209- B.TVP	0.414
45	85	19	1.1	0.6	37.0	36.00	26.50	6300	8500	7209- B.TVP.UO	0.414
45	85	19	1.1	0.6	37.0	36.00	26.50	6300	8500	7209- B.TVP.UA	0.414
45	100	25	1.5	1.0	43.0	60.00	40.00	5600	7500	7309- B.TVP	0.835
45	100	25	1.5	1.0	43.0	60.00	40.00	5600	7500	7309- B.TVP.UO	0.835
45	100	25	1.5	1.0	43.0	60.00	40.00	5600	7500	7309- B.TVP.UA	0.835

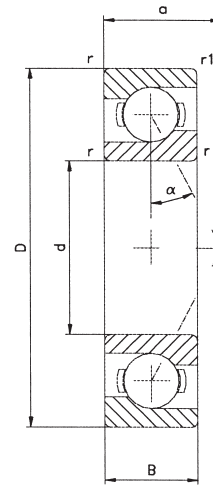
## Angular ball bearings, single-row

Pressure angle  $\alpha = 40^\circ$

B.TVP = Solid window-type cage of glass fibre intensified polyamide

B.TVP.UA = Solid window-type cage of glass fibre intensified polyamide, universal version for pairwise mounting, with thrust clearance (for pairwise mounting note lower limiting speed)

B.TVP.UO = Solid window-type cage of glass fibre intensified polyamide, unsiversal version for pairwise mounting, without clearance (for pairwise mounting note lower limiting speed)



Dimensions						Load ratings		Limiting speed		Bearing No.	Weight kg
d mm	D mm	B mm	r mm	r <sub>1</sub> mm	a mm	dynamic C kN	static C <sub>0</sub> kN	grease min <sup>-1</sup>	oil min <sup>-1</sup>		
50	90	20	1.1	0.6	39.0	<b>37.50</b>	<b>28.50</b>	6000	8000	7210- B.TVP	0.466
50	90	20	1.1	0.6	39.0	<b>37.50</b>	<b>28.50</b>	6000	8000	7210- B.TVP.UO	0.466
50	90	20	1.1	0.6	39.0	<b>37.50</b>	<b>28.50</b>	6000	8000	7210- B.TVP.UA	0.466
50	110	27	2.0	1.0	47.0	<b>69.50</b>	<b>47.50</b>	5300	7000	7310- B.TVP	1.080
50	110	27	2.0	1.0	47.0	<b>69.50</b>	<b>47.50</b>	5300	7000	7310- B.TVP.UO	1.080
50	110	27	2.0	1.0	47.0	<b>69.50</b>	<b>47.50</b>	5300	7000	7310- B.TVP.UA	1.080
55	100	21	1.5	1.0	43.0	<b>46.50</b>	<b>36.00</b>	5300	7000	7211- B.TVP	0.633
55	100	21	1.5	1.0	43.0	<b>46.50</b>	<b>36.00</b>	5300	7000	7211- B.TVP.UO	0.633
55	100	21	1.5	1.0	43.0	<b>46.50</b>	<b>36.00</b>	5300	7000	7211- B.TVP.UA	0.633
55	120	29	2.0	1.0	51.0	<b>78.00</b>	<b>56.00</b>	4800	6300	7311- B.TVP	1.141
55	120	29	2.0	1.0	51.0	<b>78.00</b>	<b>56.00</b>	4800	6300	7311- B.TVP.UO	1.141
55	120	29	2.0	1.0	51.0	<b>78.00</b>	<b>56.00</b>	4800	6300	7311- B.TVP.UA	1.141
60	110	22	1.5	1.0	47.0	<b>56.00</b>	<b>44.00</b>	4800	6300	7212- B.TVP	0.798
60	110	22	1.5	1.0	47.0	<b>56.00</b>	<b>44.00</b>	4800	6300	7212- B.TVP.UO	0.798
60	110	22	1.5	1.0	47.0	<b>56.00</b>	<b>44.00</b>	4800	6300	7212- B.TVP.UA	0.798
60	130	31	2.1	1.1	55.0	<b>90.00</b>	<b>65.50</b>	4300	5600	7312- B.TVP	1.181
60	130	31	2.1	1.1	55.0	<b>90.00</b>	<b>65.50</b>	4300	5600	7312- B.TVP.UO	1.181
60	130	31	2.1	1.1	55.0	<b>90.00</b>	<b>65.50</b>	4300	5600	7312- B.TVP.UA	1.181
65	120	23	1.5	1.0	50.5	<b>64.00</b>	<b>53.00</b>	4500	6000	7213- B.TVP	1.030
65	120	23	1.5	1.0	50.5	<b>64.00</b>	<b>53.00</b>	4500	6000	7213- B.TVP.UO	1.030
65	120	23	1.5	1.0	50.5	<b>64.00</b>	<b>53.00</b>	4500	6000	7213- B.TVP.UA	1.030
65	140	33	2.1	1.1	60.0	<b>102.00</b>	<b>75.00</b>	4000	5300	7313- B.TVP	2.160
65	140	33	2.1	1.1	60.0	<b>102.00</b>	<b>75.00</b>	4000	5300	7313- B.TVP.UO	2.160
65	140	33	2.1	1.1	60.0	<b>102.00</b>	<b>75.00</b>	4000	5300	7313- B.TVP.UA	2.160
70	125	24	1.5	1.0	53.0	<b>69.50</b>	<b>58.50</b>	4300	5600	7214- B.TVP	1.140
70	125	24	1.5	1.0	53.0	<b>69.50</b>	<b>58.50</b>	4300	5600	7214- B.TVP.UO	1.140
70	125	24	1.5	1.0	53.0	<b>69.50</b>	<b>58.50</b>	4300	5600	7214- B.TVP.UA	1.140
70	150	35	2.1	1.1	64.0	<b>114.00</b>	<b>86.50</b>	3800	5000	7314- B.TVP	2.650
70	150	35	2.1	1.1	64.0	<b>114.00</b>	<b>86.50</b>	3800	5000	7314- B.TVP.UO	2.650
70	150	35	2.1	1.1	64.0	<b>114.00</b>	<b>86.50</b>	3800	5000	7314- B.TVP.UA	2.650

Further sizes are available on request.



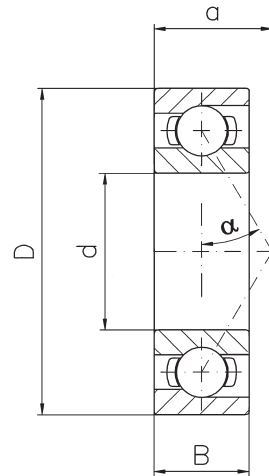


## Spindle bearings, single-row

C. = Pressure angle  $\alpha = 15^\circ$

E. = Pressure angle  $\alpha = 25^\circ$

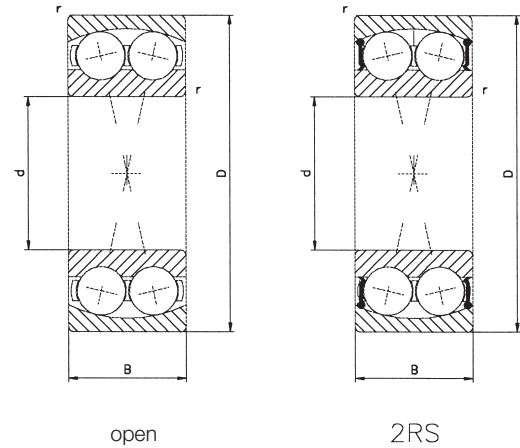
TPA.P4.UL = Solid window-type cage of textile laminated phenolic, tolerance class P4, universal version for pairwise mounting



Dimensions				Load ratings		Limiting speed		Bearing No.	Weight
d mm	D mm	B mm	a mm	dynamic C kN	static C <sub>0</sub> kN	grease min <sup>-1</sup>	oil min <sup>-1</sup>		
17	35	10	8	<b>8.65</b>	<b>4.90</b>	43000	63000	B7003-C.TPA.P4.UL	0.040
17	35	10	11	<b>8.30</b>	<b>4.75</b>	38000	56000	B7003-E.TPA.P4.UL	0.040
17	40	12	10	<b>10.80</b>	<b>5.85</b>	38000	56000	B7203-C.TPA.P4.UL	0.060
17	40	12	13	<b>10.40</b>	<b>5.60</b>	36000	53000	B7203-E.TPA.P4.UL	0.060
20	42	12	10	<b>10.00</b>	<b>6.00</b>	30000	40000	B7004-C.TPA.P4.UL	0.690
20	42	12	13	<b>9.50</b>	<b>5.70</b>	26000	36000	B7004-E.TPA.P4.UL	0.690
20	47	14	12	<b>12.90</b>	<b>7.50</b>	28000	38000	B7204- C.TPA.P4.UL	0.690
20	47	14	15	<b>12.50</b>	<b>7.20</b>	24000	34000	B7204- E.TPA.P4.UL	0.108
25	47	12	11	<b>11.00</b>	<b>7.20</b>	26000	36000	B7005- C.TPA.P4.UL	0.108
25	47	12	14	<b>10.60</b>	<b>6.95</b>	24000	34000	B7005- E.TPA.P4.UL	0.084
25	52	15	13	<b>14.60</b>	<b>9.30</b>	24000	34000	B7205- C.TPA.P4.UL	0.084
25	52	15	17	<b>13.70</b>	<b>8.80</b>	22000	32000	B7205- E.TPA.P4.UL	0.133
30	55	13	16	<b>14.30</b>	<b>10.00</b>	22000	32000	B7006- C.TPA.P4.UL	0.133
30	55	13	14	<b>13.40</b>	<b>9.50</b>	20000	30000	B7006- E.TPA.P4.UL	0.117
30	62	16	14	<b>20.80</b>	<b>13.70</b>	20000	30000	B7206- C.TPA.P4.UL	0.204
30	62	16	19	<b>20.00</b>	<b>13.20</b>	18000	26000	B7206- E.TPA.P4.UL	0.204
35	62	14	14	<b>16.30</b>	<b>12.20</b>	19000	28000	B7007- C.TPA.P4.UL	0.157
35	62	14	18	<b>15.60</b>	<b>11.40</b>	17000	24000	B7007- E.TPA.P4.UL	0.157
35	72	17	16	<b>25.50</b>	<b>18.00</b>	18000	26000	B7207- C.TPA.P4.UL	0.296
35	72	17	21	<b>24.50</b>	<b>17.00</b>	16000	26000	B7207- E.TPA.P4.UL	0.296
40	68	15	15	<b>17.30</b>	<b>14.00</b>	18000	26000	B7008- C.TPA.P4.UL	0.196
40	68	15	20	<b>16.60</b>	<b>13.20</b>	15000	20000	B7008- E.TPA.P4.UL	0.196
40	80	18	17	<b>34.50</b>	<b>23.20</b>	16000	22000	B7208- C.TPA.P4.UL	0.364
40	80	18	23	<b>32.50</b>	<b>22.40</b>	14000	19000	B7208- E.TPA.P4.UL	0.364
45	75	16	16	<b>23.20</b>	<b>18.30</b>	16000	22000	B7009- C.TPA.P4.UL	0.236
45	75	16	22	<b>22.00</b>	<b>17.30</b>	14000	19000	B7009- E.TPA.P4.UL	0.236
45	85	19	18	<b>40.50</b>	<b>29.00</b>	15000	20000	B7209- C.TPA.P4.UL	0.408
45	85	19	25	<b>39.00</b>	<b>27.50</b>	13000	18000	B7209- E.TPA.P4.UL	0.408
50	80	16	17	<b>24.50</b>	<b>20.80</b>	15000	20000	B7010- C.TPA.P4.UL	0.262
50	80	16	23	<b>23.20</b>	<b>20.00</b>	13000	18000	B7010- E.TPA.P4.UL	0.262
50	90	20	19	<b>45.00</b>	<b>32.50</b>	14000	19000	B7210- C.TPA.P4.UL	0.459
50	90	20	26	<b>42.50</b>	<b>31.50</b>	12000	17000	B7210- E.TPA.P4.UL	0.459
55	90	18	19	<b>34.00</b>	<b>28.50</b>	13000	18000	B7011- C.TPA.P4.UL	0.383
55	90	18	26	<b>32.50</b>	<b>27.00</b>	11000	16000	B7011- E.TPA.P4.UL	0.383
55	100	21	21	<b>53.00</b>	<b>40.00</b>	12000	17000	B7211- C.TPA.P4.UL	0.608
55	100	21	29	<b>50.00</b>	<b>38.00</b>	11000	16000	B7211- E.TPA.P4.UL	0.608
60	95	18	19	<b>35.50</b>	<b>30.50</b>	12000	17000	B7012- C.TPA.P4.UL	0.410
60	95	18	27	<b>33.50</b>	<b>29.00</b>	11000	16000	B7012- E.TPA.P4.UL	0.410
60	110	22	23	<b>64.00</b>	<b>49.00</b>	11000	16000	B7212- C.TPA.P4.UL	0.782
60	110	22	31	<b>61.00</b>	<b>47.50</b>	9500	14000	B7212- E.TPA.P4.UL	0.782

Further sizes are available on request.

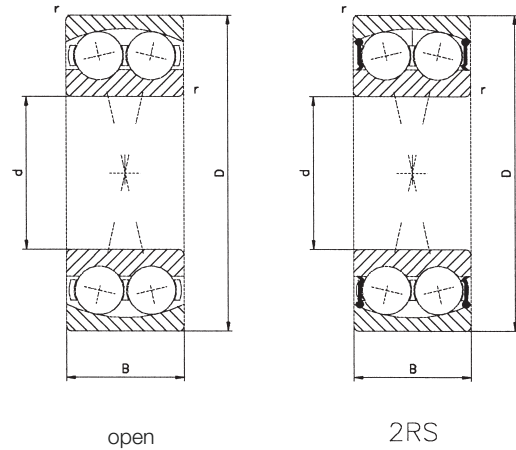
## Self aligning ball bearings (DIN 630)



Dimensions				Load ratings - Faktor						Limiting speed		Bearing No.	Weight	
d	D	B	r min.	dynamic C	$\frac{F_a}{F_r} \leq e$	$\frac{F_a}{F_r} > e$	$y_1$	$y_2$	static $C_0$	$y_0$	grease	oil		kg
mm	mm	mm	mm	kN	e				kN		min <sup>-1</sup>	min <sup>-1</sup>		
10	30	9	0.6	5.50	0.32	2.0	3.00	1.20	2.1	24000	30000	1200	0.034	
10	30	14	0.6	8.30	0.58	1.1	1.70	1.73	1.1	22000	28000	2200	0.045	
10	30	14	0.6	5.50	0.32	2.0	3.00	1.20	2.1	18000		2200-2RS	0.045	
10	35	11	0.6	7.20	0.34	1.8	2.90	1.60	1.9	20000	26000	1300	0.062	
12	32	10	0.6	5.60	0.37	1.7	2.60	1.27	1.8	24000	30000	1201	0.041	
12	32	14	0.6	9.00	0.53	1.2	1.85	1.96	1.3	20000	26000	2201	0.050	
12	32	14	0.6	5.60	0.37	1.7	2.60	1.27	1.8	17000		2201-2RS	0.057	
12	37	12	1.0	9.36	0.35	1.8	2.80	2.16	1.9	18000	22000	1301	0.073	
15	35	11	0.6	7.41	0.34	1.9	2.90	1.76	2.0	20000	26000	1202	0.049	
15	35	14	0.6	9.15	0.46	1.4	2.10	2.08	1.5	19000	24000	2202	0.057	
15	35	14	0.6	7.50	0.34	1.9	2.90	1.76	2.0	15000		2202-2RS	0.060	
15	42	13	1.0	9.50	0.35	1.8	2.80	2.28	1.9	17000	20000	1302	0.100	
17	40	12	0.6	8.00	0.33	1.9	3.00	2.04	2.0	18000	22000	1203	0.074	
17	40	16	0.6	11.40	0.46	1.4	2.10	2.75	1.4	16000	19000	2203	0.086	
17	40	16	0.6	8.00	0.33	1.9	3.00	2.04	2.0	14000		2203-2RS	0.096	
17	47	14	1.0	12.50	0.32	1.9	3.00	3.20	2.0	15000	18000	1303	0.136	
20	47	14	1.0	10.00	0.28	2.2	3.50	2.65	2.3	15000	18000	1204	0.117	
20	47	18	1.0	14.30	0.44	1.5	2.20	3.55	1.5	14000	17000	2204	0.136	
20	47	18	1.0	10.00	0.28	2.2	3.50	2.65	2.3	11000		2204-2RS	0.148	
20	52	15	1.1	12.50	0.29	2.2	3.30	3.35	2.3	13000	16000	1304	0.172	
25	52	15	1.0	12.20	0.27	2.4	3.70	3.35	2.5	13000	16000	1205	0.137	
25	52	18	1.0	17.00	0.35	1.8	2.80	4.40	1.9	12000	15000	2205	0.159	
25	52	18	1.0	12.20	0.27	2.4	3.70	3.35	2.5	9500		2205-2RS	0.162	
25	62	17	1.1	18.00	0.28	2.3	3.50	5.00	2.4	11000	14000	1305	0.275	
30	62	16	1.0	15.60	0.25	2.5	3.90	4.65	2.7	11000	14000	1206	0.220	
30	62	20	1.0	25.50	0.30	2.1	3.30	6.95	2.2	9500	12000	2206	0.259	
30	62	20	1.0	15.60	0.25	2.5	3.90	4.65	2.7	8000		2206-2RS	0.268	
30	72	19	1.1	21.20	0.26	2.4	3.70	6.30	2.5	9000	11000	1306	0.408	
35	72	17	1.1	16.00	0.22	2.8	4.30	5.20	2.9	9500	12000	1207	0.329	
35	72	23	1.1	32.00	0.30	2.1	3.30	9.00	2.2	8000	9500	2207	0.404	
35	72	23	1.1	16.00	0.22	2.8	4.30	5.20	2.9	7000		2207-2RS	0.434	
35	80	21	1.5	25.00	0.26	2.5	3.80	8.00	2.6	8000	9500	1307	0.535	
40	80	18	1.1	19.30	0.22	2.9	4.50	6.55	3.0	8500	10000	1208	0.417	
40	80	23	1.1	31.50	0.26	2.4	3.80	9.50	2.5	7500	9000	2208	0.488	
40	80	23	1.1	19.30	0.22	2.9	4.50	6.55	3.0	6300		2208-2RS	0.515	
40	90	23	1.5	29.00	0.25	2.5	3.90	9.65	2.6	7000	8500	1308	0.742	
45	85	19	1.1	22.00	0.21	3.0	4.70	7.35	3.2	7500	9000	1209	0.463	
45	85	23	1.1	28.00	0.26	2.4	3.80	9.00	2.5	7000	8500	2209	0.527	
45	85	23	1.1	22.00	0.21	3.0	4.70	7.35	3.2	5600		2209-2RS	0.543	
45	100	25	1.5	38.00	0.25	2.5	3.90	12.90	2.6	6300	7500	1309	0.994	



## Self aligning ball bearings



Dimensions				Load ratings · Faktor						Limiting speed		Bearing No.	Weight
d	D	B	r min.	dynamic C	$\frac{F_a}{F_r} \leq e$	$\frac{F_a}{F_r} > e$	$y_1$	$y_2$	static C <sub>0</sub>	$y_0$	grease		
mm	mm	mm	mm	kN	e				kN		min <sup>-1</sup>	min <sup>-1</sup>	kg
50	90	20	1.1	22.80	0.20	3.2	4.90	8.15	3.3	7000	8500	1210	0.531
50	90	23	1.1	28.00	0.24	2.6	4.10	9.50	2.7	6700	8000	2210	0.567
50	90	23	1.1	22.80	0.20	3.2	4.90	8.15	3.3	5300		2210-2RS	0.595
50	110	27	2.0	41.50	0.24	2.6	4.00	14.30	2.7	5600	6700	1310	1.290
55	100	21	1.5	27.00	0.19	3.3	5.10	10.00	3.5	6300	7500	1211	0.693
55	100	25	1.5	39.00	0.22	2.9	4.50	12.70	3.1	5600	6700	2211	0.763
55	100	25	1.5	27.00	0.19	3.3	5.10	10.00	3.5	4800		2211-2RS	0.796
55	120	29	2.0	51.00	0.24	2.7	4.10	18.00	2.8	5000	6000	1311	1.640
60	110	22	1.5	30.00	0.18	3.5	5.40	11.60	3.6	5600	6700	1212	0.900
60	110	28	1.5	47.50	0.23	2.7	4.20	16.60	2.8	5300	6300	2212	1.080
60	110	28	1.5	30.00	0.18	3.5	5.40	11.60	3.6	4300		2212-2RS	1.110
60	130	31	2.1	57.00	0.23	2.8	4.30	20.80	2.9	4500	5300	1312	2.030

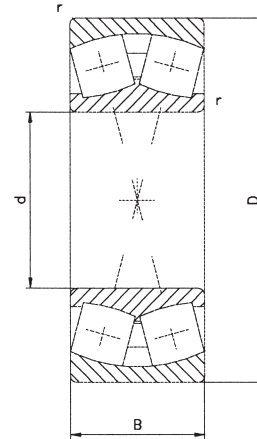
Further sizes are available on request.

### Angle adjustments

Self aligning ball bearings can be swiveled about 4° from the center position. Sealed self-aligning ball bearings up to a maximum of 1.5°.

## Self aligning roller bearings (DIN 635 T2)

- E = strengthened interior construction  
 A = steel retainer  
 B33 = lubrication groove and bore in outer ring



Dimensions				Load ratings · Factor						Limiting speed		Bearing No.	Weight
d	D	B	r min.	dynamic C	$\frac{F_a}{F_r} \leq e$	$\frac{F_a}{F_r} > e$	$y_1$	$y_2$	static C <sub>0</sub>	$y_0$	grease		
mm	mm	mm	mm	kN	e				kN		min <sup>-1</sup>	min <sup>-1</sup>	kg
25	52	18	1.0	43	0.34	2.0	2.9	43	1.9	9100	11700	22205-EAB33	0.165
30	62	20	1.0	57	0.31	2.2	3.2	61	2.1	7600	9800	22206-EAB33	0.261
35	72	23	1.1	76	0.31	2.2	3.2	85	2.1	6500	8400	22207-EAB33	0.406
40	80	23	1.1	88	0.28	2.4	3.6	95	2.3	5800	7500	22208-EAB33	0.489
40	90	33	1.5	130	0.36	1.9	2.8	147	1.8	4300	5700	22308-EAB33	0.978
45	85	23	1.1	92	0.26	2.6	3.9	108	2.6	5400	6900	22209-EAB33	0.539
45	100	36	1.5	160	0.36	1.9	2.8	183	1.9	3800	4800	22309-EAB33	1.300
50	90	23	1.1	99	0.24	2.8	4.2	116	2.8	5000	6400	22210-EAB33	0.579
50	110	40	2.0	193	0.36	1.9	2.8	224	1.8	3400	4300	22310-EAB33	1.750
55	100	25	1.5	118	0.23	2.9	4.4	142	2.9	4500	5600	22211-EAB33	0.802
55	120	43	2.0	228	0.36	1.9	2.8	265	1.8	3200	4000	22311-EAB33	2.220
60	110	28	1.5	143	0.24	2.8	4.2	170	2.8	4000	5000	22212-EAB33	1.060
60	130	46	2.1	265	0.35	1.9	2.8	310	1.9	2800	3600	22312-EAB33	2.790
65	120	31	1.5	173	0.24	2.8	4.2	212	2.8	3600	4500	22213-EAB33	1.440
65	140	48	2.1	285	0.34	2.0	3.0	310	2.0	2600	3400	22313-EAB33	3.400
70	125	31	1.5	181	0.23	2.9	4.4	231	2.9	3600	4500	22214-EAB33	1.520
70	150	51	2.1	325	0.34	2.0	3.0	390	2.0	2400	3200	22314-EAB33	4.060
75	130	31	1.5	187	0.22	3.1	4.6	245	3.0	3400	4300	22215-EAB33	1.610
75	160	55	2.1	380	0.34	2.0	3.0	455	1.9	2200	3000	22315-EAB33	4.990

Further sizes are available on request.

Angle adjustments approx. 1°.

## McGill self aligning roller bearing, single-row

McGill SPHERE-ROL bearings are dimensionally interchangeable with ordinary 2-row spherical roller bearings.

The main dimensions are according to ISO/R 15 and DIN 635 respectively DIN 616.

Misalignment up to  $\pm 3^\circ$  is accommodated by the unsealed versions and up to  $\pm 2^\circ$  by the sealed versions.



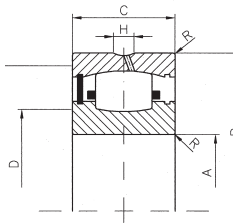
### Radial clearance for "SB" Bearings with straight bores

Basic bore diameter mm		Radial clearance in $\mu\text{m}$							
		C <sub>2</sub>		Normal		C <sub>3</sub>		C <sub>4</sub>	
over	incl.	min.	max.	min.	max.	min.	max.	min.	max.
14	24	10	20	20	36	36	46	46	61
24	30	15	25	25	41	41	56	56	71
30	40	15	30	30	46	46	61	61	81
40	50	20	36	36	56	56	76	76	99
50	65	25	43	43	66	66	91	91	119
65	80	30	51	51	81	81	112	112	145
80	100	36	63	63	99	99	135	135	180
100	120	43	79	79	122	122	163	163	211
120	140	51	97	97	145	145	191	191	241
140	160	61	109	109	165	165	221	221	279
160	180	66	119	119	180	180	241	241	310
180	200	71	130	130	201	201	262	262	338
200	225	81	140	140	221	221	290	290	378
225	250	91	150	150	241	241	320	320	419
250	280	99	170	170	262	262	351	351	457

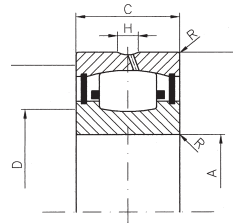
### Radial clearance for "SB" Bearings with tapered ("K" type) bore

Basic bore diameter mm		Radial clearance in $\mu\text{m}$							
		C <sub>2</sub>		Normal		C <sub>3</sub>		C <sub>4</sub>	
over	incl.	min.	max.	min.	max.	min.	max.	min.	max.
14	24	15	25	25	36	36	46	46	61
24	30	20	30	30	43	43	56	56	76
30	40	20	36	36	51	51	66	66	86
40	50	30	46	46	61	61	81	81	104
50	65	36	56	56	76	76	99	99	124
65	80	46	71	71	94	94	124	124	155
80	100	51	81	81	112	112	145	145	191
100	120	64	99	99	135	135	175	175	226
120	140	76	119	119	160	160	206	206	259
140	160	86	130	130	180	180	231	231	300
160	180	94	140	140	201	201	259	259	340
180	200	104	160	160	224	224	290	290	371
200	225	119	180	180	251	251	320	320	411
225	250	135	201	201	269	269	356	356	452
250	280	150	221	221	300	300	396	396	495

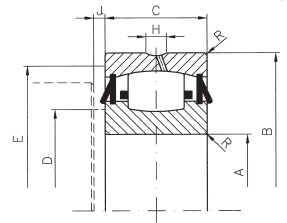
## Self aligning roller bearings McGill



cylindrical bore



sealed



LAMBDA SEALS

Bearing No.	Bore		Outside diameter		Width			Shoulder dimensions				Limiting speed oil *** U/min	Load ratings		Weight kg
	A	Toleran. *	B	Tolerance *	C	Toleran. *	r **	D	E	H	J min mm		C kN	C <sub>0</sub> kN	
	mm	µm	mm	µm	mm	µm	mm	mm	mm	mm	mm				
SB 22204-W33-SS	20	-10	47	-13	18	-127	1.0	25.4	41.3	3.2	2.4	11000	32.21	25.80	0.150
SB 22205-W33-SS	25	-10	52	-13	18	-127	1.0	31.0	46.0	4.0	2.4	10000	39.01	32.47	0.180
SB 22206-W33-SS	30	-10	62	-13	20	-127	1.0	36.5	55.6	4.0	2.4	8100	53.98	47.60	0.290
SB 22207-W33-SS	35	-13	72	-13	23	-127	1.0	41.3	61.9	4.4	2.4	6800	73.48	64.94	0.430
SB 22208-W33-SS	40	-13	80	-13	23	-127	1.0	47.6	69.9	4.4	2.4	6000	79.38	72.06	0.540
SB 22209-W33-SS	45	-13	85	-15	23	-127	1.0	52.4	74.6	4.4	2.4	5600	84.37	78.73	0.590
SB 22210-W33-SS	50	-13	90	-15	23	-127	1.0	57.2	85.7	4.4	2.4	5250	88.00	85.85	0.640
SB 22211-W33-SS	55	-15	100	-15	25	-152	1.5	63.5	88.9	4.4	2.4	4650	111.13	102.31	0.860
SB 22212-W33-SS	60	-15	110	-15	28	-152	1.5	69.9	98.4	4.4	2.4	4200	141.07	137.45	1.018
SB 22213-W33-SS	65	-15	120	-15	31	-152	1.5	74.6	106.4	4.8	3.2	3800	163.30	173.48	1.540
SB 22215-W33-SS	75	-15	130	-20	31	-152	1.5	84.1	117.5	4.8	3.2	3500	180.99	184.16	1.770
SB 22216-W33-SS	80	-15	140	-20	33	-152	2.0	90.5	125.4	5.6	3.2	3250	197.77	216.18	2.090
SB 22217-W33-SS	85	-20	150	-20	36	-203	2.0	95.3	134.9	5.6	3.2	3000	224.53	262.89	2.680
SB 22218-W33-SS	90	-20	160	-25	40	-203	2.0	100.0	144.5	5.6	3.2	2800	278.06	308.26	3.040
SB 22219-W33-SS	95	-20	170	-25	43	-203	2.0	106.4	154.0	8.3	3.2	2650	312.98	377.65	4.170
SB 22220-W33-SS	100	-20	180	-25	46	-203	2.0	112.7	161.9	8.3	3.2	2500	350.63	411.91	5.040
SB 22222-W33-SS	110	-20	200	-31	53	-203	2.0	123.8	181.0	8.3	3.2	2200	458.14	551.60	7.210
SB 22224-W33-SS	120	-20	215	-31	58	-203	2.0	134.9	195.3	11.1	4.8	2050	548.86	653.89	8.980
SB 22226-W33-SS	130	-25	230	-31	64	-254	2.5	149.2	211.1	11.1	4.8	1900	607.82	742.85	11.300
SB 22228-W33-SS	140	-25	250	-31	68	-254	2.5	158.8	230.2	11.1	4.8	1750	743.90	889.64	14.200
SB 22230-W33-SS	150	-25	270	-36	73	-254	2.5	169.9	246.1	13.9	4.8	1600	775.66	938.57	17.900

\*) Tolerances from 0 up to shown figure.

\*\*) r = maximum fillet radius for shaft and housing.

\*\*\*) Refers to oil lubrication and moderate load. For grease lubrication, use 1/2 of the values shown.

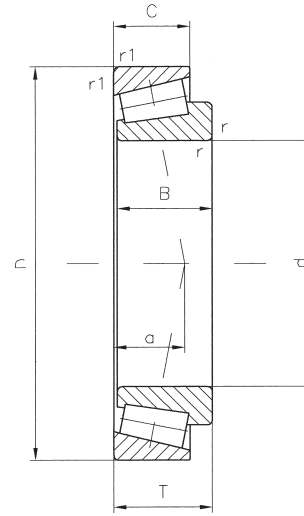
Consult factory for availability.

1. Add suffix „K“ to indicate tapered bore bearing.
2. All sizes supplied with outer ring relubrication feature (-W33) unless otherwise specified. Consult factory for availability of non-W33.
3. Add suffix „-W22“ for selected OD.
4. Add suffix „S“ to bearing number for single seal and „SS“ for double seals. For tapered bore bearings using single seal, add suffix „S“ to indicate seal on small bore side and „SL“ to indicate seal on large bore side. For high temp. seals, use „TS“, „TSS“, and high temp. grease.
5. For LAMBDA seals, add suffix „YS“ to bearing number for single seal and „YSS“ for double seals. For tapered bore bearings, single LAMBDA sealed, add suffix „YS“ to indicate seal on small bore side and „YSL“ to indicate seal on large bore side.

CAUTION: Sizes SB 22202 through SB 22211 and SB 22214 and SB 22215, standard AFBMA locknuts and lockwashers will not clear LAMBDA seal I.D. unless 1/16" thick spacer is used between face of bearing and washer (or locknut).

6. For expansion-type bearing, add suffix „E“ to catalog number immediately after diametral clearance specifications."

## Taper roller bearings with cylindrical bore (DIN ISO 355 und DIN 720)

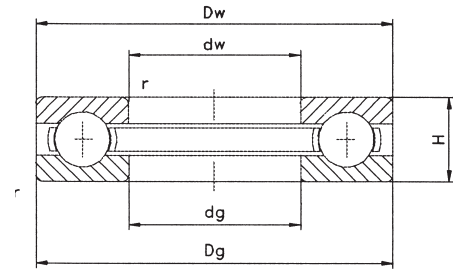


Dimensions					Load ratings						Limiting speed		Bearing No.	Weight	
d	D	B	C	T	r,r <sub>1</sub> min. mm	a approx. mm	dyna- mic C kN	e	y	static C <sub>0</sub> kN	y <sub>0</sub>	grease min <sup>-1</sup>			oil min <sup>-1</sup>
15	35	11	10	11.75	0.6	10	12.0	0.46	1.3	12.0	0.7	12000	17000	30202	0.055
15	42	13	11	14.25	1.0	10	21.6	0.29	2.1	20.4	1.2	10000	15000	30302	0.099
17	40	12	11	13.25	1.0	10	18.6	0.35	1.7	19.6	1.0	10000	15000	30203	0.081
17	47	14	12	15.25	1.0	10	26.5	0.29	2.1	25.0	1.2	9000	13000	30303	0.133
20	47	14	12	15.25	1.0	11	26.5	0.35	1.7	27.5	1.0	8500	12000	30204	0.129
20	52	15	13	16.25	1.5	11	32.5	0.30	2.0	32.5	1.1	8000	11000	30304	0.175
25	52	15	13	16.25	1.0	13	30.5	0.37	1.6	34.5	0.9	7500	10000	30205	0.157
25	62	17	15	18.25	1.5	13	44.0	0.30	2.0	45.0	1.1	6700	9000	30305	0.273
30	62	16	14	17.25	1.0	14	41.5	0.37	1.6	48.0	0.9	6300	8500	30206	0.240
30	72	19	16	20.75	1.5	15	56.0	0.31	1.9	61.0	1.1	5600	7500	30306	0.407
35	72	17	15	18.25	1.5	15	50.0	0.37	1.6	58.5	0.9	5300	7000	30207	0.341
35	80	21	18	22.75	1.5	16	69.5	0.31	1.9	76.5	1.1	5000	6700	30307	0.541
40	80	18	16	19.75	1.5	17	58.5	0.37	1.6	67.0	0.9	4800	6300	30208	0.436
40	90	23	20	25.25	1.5	20	86.5	0.35	1.7	104.0	1.0	4300	5600	30308	0.769
45	85	19	16	20.75	1.5	18	67.0	0.40	1.5	83.0	0.8	4300	5600	30209	0.499
45	100	25	22	27.25	1.5	21	104.0	0.35	1.7	125.0	1.0	3800	5000	30309	1.020
50	90	20	17	21.75	1.5	20	75.0	0.42	1.4	96.5	0.8	4000	5300	30210	0.566
50	110	27	23	29.25	2.0	23	122.0	0.35	1.7	150.0	1.0	3400	4500	30310	1.300

Further sizes are available on request.

Now also available noise tested version.

## Deep groove ball thrust bearing (DIN 711)



Dimensions						Load ratings		Limiting speed		Bearing No.	Weight kg
d mm	d <sub>g</sub> mm	D <sub>w</sub> mm	D <sub>g</sub> mm	H mm	r min. mm	dynamic C kN	static C <sub>0</sub> kN	grease min <sup>-1</sup>	oil min <sup>-1</sup>		
10	11	24	24	9	0.3	10.0	14.0	7000	9500	51100	0.021
10	12	26	26	11	0.6	12.7	17.0	6000	8000	51200	0.031
12	13	26	26	9	0.3	10.4	15.3	6700	9000	51101	0.023
12	14	28	28	11	0.6	13.2	19.0	6000	8000	51201	0.034
15	16	28	28	9	0.3	9.3	14.0	6300	8500	51102	0.024
15	17	32	32	12	0.6	16.6	25.0	5000	6700	51202	0.046
17	18	30	30	9	0.3	9.6	15.3	6300	8500	51103	0.026
17	19	35	35	12	0.6	17.3	27.5	5000	6700	51203	0.053
20	21	35	35	10	0.3	12.7	20.8	5300	7000	51104	0.039
20	22	40	40	14	0.6	22.4	37.5	4300	5600	51204	0.083
25	26	42	42	11	0.6	15.6	29.0	4800	6300	51105	0.060
25	27	47	47	15	0.6	28.0	50.0	3800	5000	51205	0.115
30	32	47	47	11	0.6	16.6	33.5	4300	5600	51106	0.069
30	32	52	52	16	0.6	22.5	47.5	3600	4800	51206	0.134
35	37	52	52	12	0.6	17.6	37.5	4000	5300	51107	0.087
35	37	62	62	18	1.0	35.5	67.0	3000	4000	51207	0.215
40	42	60	60	13	0.6	23.2	50.0	3400	4500	51108	0.125
40	42	68	68	19	1.0	46.5	98.0	2800	3800	51208	0.278
45	47	65	65	14	0.6	24.5	57.0	3400	4500	51109	0.153
45	47	73	73	20	1.0	39.0	80.0	2600	3600	51209	0.302
50	52	70	70	14	0.6	25.5	63.0	3200	4300	51110	0.169
50	52	78	78	22	1.0	50.0	106.0	2400	3400	51210	0.371
55	57	78	78	16	0.6	31.0	78.0	2800	3800	51111	0.247
55	57	90	90	25	1.0	61.0	134.0	2200	3200	51211	0.586
60	62	85	85	17	1.0	36.5	93.0	2600	3600	51112	0.330
60	62	95	95	26	1.0	62.0	140.0	2000	3000	51212	0.651
65	67	90	90	18	1.0	37.5	98.0	2400	3400	51113	0.359
65	67	100	100	27	1.0	64.0	150.0	2000	3000	51213	0.737
70	72	95	95	18	1.0	37.5	104.0	2400	3400	51114	0.385
70	72	105	105	27	1.0	65.5	160.0	1900	2800	51214	0.783
75	77	100	100	19	1.0	44.0	137.0	2200	3200	51115	0.520
75	77	110	110	27	1.0	67.0	170.0	1900	2800	51215	0.827
80	82	105	105	19	1.0	45.0	140.0	2200	3200	51116	0.557
80	82	115	115	28	1.0	75.0	190.0	1800	2600	51216	0.908
85	87	110	110	19	1.0	45.5	150.0	2200	3200	51117	0.597
85	88	125	125	31	1.0	98.0	250.0	1600	2200	51217	1.220
90	92	120	120	22	1.0	60.0	190.0	1900	2800	51118	0.878
90	93	135	135	35	1.1	120.0	300.0	1500	2000	51218	1.680

Further sizes are available on request.



## ASK Steel balls

Tolerances of hardened steel balls (DIN 5401, version 2002, 08)

Grade	Diameter of the ball		Tolerances of a ball in the lot			Tolerance		Sorting range and classification		
	Nominal size $D_w$ greater than mm	up to mm	Size tolerance $V_{Dws}$ max. $\mu\text{m}$	Shape tolerance $tDw$ max.	Roughness $R_a$ max.	of a lot $V_{DwL}^{1)}$ max. $\mu\text{m}$	Sorting interval $I_G; S_t$	$\mu\text{m}$		
G3*)	-	12	0.08	0.08	0.01	0.13	0.5	-5...-0.5	0	+0.5...+5
G5*)	-	12	0.13	0.13	0.014	0.25	1	-5...-1	0	+1...+5
G10*)	-	25	0.25	0.25	0.02	0.5	1	-9...-1	0	+1...+9
G16*)	-	25	0.4	0.4	0.025	0.8	2	-10...-2	0	+2...+10
G20*)	-	38	0.5	0.5	0.032	1	2	-10...-2	0	+2...+10
G28*)	-	50	0.7	0.7	0.05	1.4	2	-12...-2	0	+2...+12
G40*)	-	100	1	1	0.06	2	4	-16...-4	0	+4...+16
G100	-	150	2.5	2.5	0.125	5	10	-40...-10	0	+10...+40
G200	-	150	5	5	0.2	10	15	-60...-15	0	+15...+60
G500	-	25	25	25	-	50	50	-50	0	+50
	25	50	25	25	-	75	75	-75	0	-75
	50	75	25	25	-	100	100	-100	0	+100
	75	100	32	32	-	125	125	-125	0	+125
	100	125	38	38	-	150	150	-150	0	+150
	125	150	44	44	-	175	175	-175	0	+175
G600	all	-	-	-	-	400	-		0	
G700	all	-	-	-	-	2000	-		0	

<sup>1)</sup> Tolerance  $V_{DwA}$  at G500 to 700 instead of  $V_{DwL}$

\*) only upon request

Hardness of hardened roller bearing steels in accordance with DIN 17 230

Diameter $D_w$		hardness*)
greater than	up to	
-	12.7	740 up to 900 HV 10**)
12.7	50.8	60 up to 66 HRC
50.8	70	59 up to 65 HRC
70	120	57 up to 63 HRC
120	150	55 up to 61 HRC

\*) Surface hardness

These hardness values are attained during heat treatment. The subsequent hardness processing causes cold solidification in the outer marginal zone, leading to certain hardness increases that cannot be calculated for. In the surface region, the upper limit value thus may be slightly exceeded.

For large balls, the core hardness may be slightly less than the values measured in the marginal zones.

\*\*) 62 to 67 HRC are also admissible; the Vickers test is, however, binding.

**Tolerances** of hardened balls made of stainless steel (DIN 5401, version 2002,08)

Diameter of the ball		Tolerances of a ball in the lot		Tolerance		Sorting range and classification						
Nominal size $D_w$ greater than up to mm		Size tolerance $V_{Dws}$ max. $\mu\text{m}$	Shape tolerance $t_{Dw}$ max.	of a lot $V_{DwA}$ max. $\mu\text{m}$	Sorting interval $I_G$	$\mu\text{m}$						
-	25	1	2	4	4	-20	-8	-4	0	+4	+8	+20
25	50	1.5	3	6	6	-24	-12	-6	0	+6	+12	+24
50	75	2	4	8	8	-32	-16	-8	0	+8	+16	+32
75	100	2.5	5	10	10	-40	-20	-10	0	+10	+20	+40
100	125	3	6	12	12	-48	-24	-12	0	+12	+24	+48
125	150	3.5	7	14	14	-56	-28	-14	0	+14	+28	+56

**Tolerances** of non heat-treatable balls made of stainless steel (DIN 5401 T1, version 2002,08)

Copper-tin alloy  
Copper-zinc alloy

Diameter of the ball		Tolerances of a ball in the lot		Tolerance		Sorting range and classification						
Nominal size $D_w$ greater than up to mm		Size tolerance $V_{Dws}$ max. $\mu\text{m}$	Shape tolerance $t_{Dw}$ max.	of a lot $V_{DwA}$ max. $\mu\text{m}$	Sorting interval $I_G$	$\mu\text{m}$						
-	25	5	10	20	20	-60	-40	-20	0	+20	+40	+60
25	50	7.5	15	30	30	-90	-60	-30	0	+30	+60	+90
50	75	10	20	40	40	-120	-80	-40	0	+40	+80	+120

## Hardness and materials

Class	Material No.	Abbreviation, alloy	Hardness	
			$D_w \leq 12,7$ mm	$D_w \leq 12,7$ mm
Stainless steel heat treatable hardened in accordance with DIN 17 230	1.3541	X 45 Cr 13	580 to 700 HV 10	54 to 60 HRC
	1.4034	X 46 Cr 13	580 to 700 HV 10	54 to 60 HRC
	1.4037	X 65 Cr 13	640 to 780 HV 10	57 to 63 HRC
	1.3543	X 102 Cr Mo 17	640 to 780 HV 10	57 to 63 HRC
	1.3549	X 89 Cr Mo V 18 I	640 to 780 HV 10	57 to 63 HRC
non heat-treatable in accordance with DIN 17 440	1.4301	X 5 Cr Ni 18 10	135 to 200 HV 10	
	1.4571	X 6 Cr Ni Mo Ti 17 12 2	135 to 200 HV 10	
	1.4580	X 6 Cr Ni Mo Nb 17 12 2	135 to 200 HV 10	
Copper-zinc alloy in accordance with DIN 17 662	2.1030	Cu Sn 8	200 to 220 HB	
Copper-tin alloy in accordance with DIN 17 660	2.0321	Cu Zn 37	180 to 200 HB	
	2.0360	Cu Zn 40	180 to 200 HB	



**Bore diameter and weights for steel balls made of through-hardened bearing steel**

**Bore diameter and weights for steel balls made of hardened stainless steel**

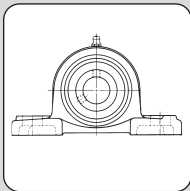
Bore diameter of steel ball $D_w$ mm (Inch)		Weight 1000 piece (7.85 g/cm <sup>3</sup> ) kg wppr.
1.588 (1/16 Inch)		0.0165
2		0.0329
2.381 (3/32 Inch)		0.0555
2.5		0.0642
3		0.1110
3.175 (1/8 Inch)		0.1320
3.5		0.1760
3.969 (5/32 Inch)		0.2570
4		0.2630
4.5		0.3750
4.762 (3/16 Inch)		0.4440
5		0.5140
5.5		0.6840
5.556 (7/32 Inch)		0.7050
6		0.8880
6.350 (1/4 Inch)		1.0500
6.5		1.1300
7		1.4100
7.144 (9/32 Inch)		1.5000
7.5		1.7300
7.938 (5/16 Inch)		2.0600
8		2.1100
8.5		2.5200
8.731 (11/32 Inch)		2.7400
9		3.0000
9.525 (3/8 Inch)		3.5500
10		4.1100
10.319 (13/32 Inch)		4.5200
11		5.4700
11.112 (7/16 Inch)		5.6400
11.906 (15/32 Inch)		6.9400
12		7.1000
12.5		8.0300
12.7		8.4200
13		9.0300
13.494 (17/32 Inch)		10.1000
14		11.3000
14.288 (9/16 Inch)		12.0000
15		13.9000
15.081 (19/32 Inch)		14.1000
15.875 (5/8 Inch)		16.4000
16		16.8000
16.669 (21/32 Inch)		19.0000
17		20.2000
17.462 (11/16 Inch)		21.9000
18		24.0000
18.256 (23/32 Inch)		25.0000
19		28.2000
19.05 (3/4 Inch)		28.4000
19.844 (25/32 Inch)		32.1000
20		32.9000
20.638 (13/16 Inch)		36.1000
21		38.1000
22		43.8000
22.225 (7/8 Inch)		45.1000
23.812 (15/16 Inch)		55.5000
24		56.8000
25		64.2000

Bore diameter of steel ball $D_w$ mm (Inch)		Weight 1000 piece (7.7 g/cm <sup>3</sup> ) kg appr.
1.588 (1/16 Inch)		0.0136
2		0.0323
2.381 (3/32 Inch)		0.0544
2.5		0.0630
3		0.1090
3.175 (1/8 Inch)		0.1270
3.5		0.1730
3.969 (5/32 Inch)		0.2520
4		0.2580
4.5		0.3670
4.762 (3/16 Inch)		0.4350
5		0.5040
5.5		0.6710
5.556 (7/32 Inch)		0.6910
6		0.8710
6.350 (1/4 Inch)		1.0300
6.5		1.1070
7		1.3800
7.144 (9/32 Inch)		1.4700
7.5		1.7000
7.938 (5/16 Inch)		2.0200
8		2.0600
8.5		2.4760
8.731 (11/32 Inch)		2.6800
9		2.9400
9.525 (3/8 Inch)		3.4800
10		4.0300
10.319 (13/32 Inch)		4.4300
11		5.3660
11.112 (7/16 Inch)		5.5300
11.906 (15/32 Inch)		6.8040
12		6.9700
12.5		7.8700
12.7		8.2600
13		8.8600
13.494 (17/32 Inch)		9.9060
14		11.1000
14.288 (9/16 Inch)		11.7600
15		13.6000
15.081 (19/32 Inch)		13.8280
15.875 (5/8 Inch)		16.1000
16		16.5000
16.669 (21/32 Inch)		18.6730
17		19.8070
17.462 (11/16 Inch)		21.4700
18		23.5000
18.256 (23/32 Inch)		24.5300
19		27.6500
19.05 (3/4 Inch)		27.9000
19.844 (25/32 Inch)		31.5000
20		32.3000
20.638 (13/16 Inch)		35.4400
21		37.3400
22		42.9000
22.225 (7/8 Inch)		44.2600
23.812 (15/16 Inch)		54.4300
24		55.7340
25		63.0000

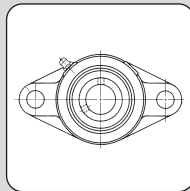


Further sizes are available on request.

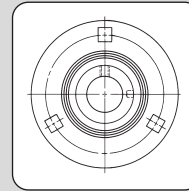
Inserts	P. 3-3
Cast iron version	P. 3-10
Pillow blocks	P. 3-10
Square flange units	P. 3-14
Flange cartridge units	P. 3-16
Two-bolt flange units	P. 3-18
Take-up units	P. 3-19
Cartridge units	P. 3-21
Stainless steel version	P. 3-22
Pressed steel version	P. 3-24
Silver version	P. 3-26
Stainless silver version	P. 3-28
Plastic version	P. 3-29



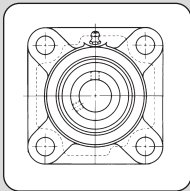
Cast iron version  
Stainless steel version  
Pressed steel version  
Silver version  
Stainless silver version  
Plastic version



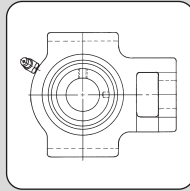
Cast iron version  
Stainless steel version  
Pressed steel version  
Silver version  
Stainless silver version  
Plastic version



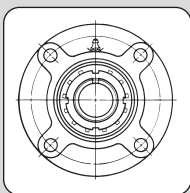
Pressed steel version



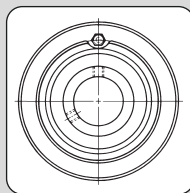
Cast iron version  
Stainless steel version  
Plastic version



Cast iron version  
Stainless steel version  
Plastic version



Cast iron version



Cast iron version

## Selection of shaft

For the units with cylindrical bore (with set-screws or eccentric locking collar) clearance fit is usually favoured for mounting the units on the shaft.

set-screw tightening torque for inserts			Nm
UC 201 - 206	UC 305 - 306	MUC 204 - 206	3.80
UC 207 - 209	UC 307	MUC 207 - 209	8.30
UC 210 - 212	UC 308 - 309	MUC 210	16.00
UC 213 - 218	UC 310 - 314		25.00
	UC 315 - 316		30.00
	UC 317 - 318		58.00

set-screw tightening torque for inserts			Nm
		K 000 - 001	0.55
		K 002 - 003	1.45
	B 201 - 204	K 004 - 006	2.50
KH 201 - 205	B 205 - 206		3.90
	B 207		8.50
KH 206 - 210			11.00

## Regreasing intervals

The usable life of the grease is influenced by many factors. The regreasing intervals in our table thus can only be seen as very rough estimates.

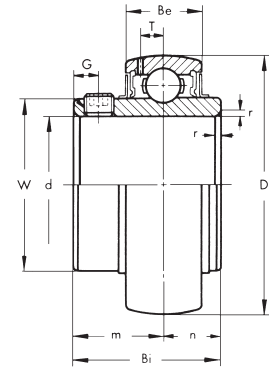
**Experience with comparable bearings or ones already used is therefore very important as not all operating conditions and influential factors that affect the service life of a lubricant – and hence also the bearing – are known or determinable in many cases.**

## Greasing interval

Operating temperature of bearing °C	Greasing interval		
	Environmental condition		
	Clean	Dirty	Very dirty heavily humid
50	3 years	6 months	3 months
70	1 year	2 months	1 month
100	3 months	2 weeks	1 week

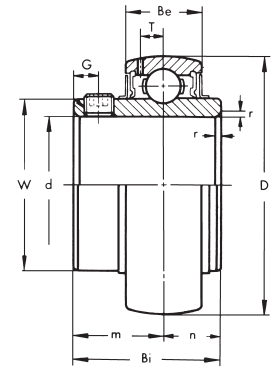
**INSERTS**

**Insert**  
**UC 200**  
**Normal duty**  
**Set-screw locking**



Designation	d	D	Bi	Be	n	m	G	T	Load ratings		Weight kg
	mm	mm	mm	mm	mm	mm	mm	mm	dynamic C kN	static C <sub>0</sub> kN	
UC 201	12	47	31.0	17	12.7	18.3	4.8	3.7	12.80	6.60	0.20
UC 202	15	47	31.0	17	12.7	18.3	4.8	3.7	12.80	6.60	0.19
UC 203	17	47	31.0	17	12.7	18.3	4.8	3.7	12.80	6.60	0.18
UC 204	20	47	31.0	17	12.7	18.3	4.8	3.7	12.80	6.60	0.16
UC 205	25	52	34.1	17	14.3	19.8	5.0	3.9	14.00	7.85	0.20
UC 206	30	62	38.1	19	15.9	22.2	5.0	5.0	19.45	11.25	0.32
UC 207	35	72	42.9	20	17.5	25.4	7.0	5.7	25.70	15.20	0.48
UC 208	40	80	49.2	21	19.0	30.2	8.0	6.2	29.50	18.10	0.64
UC 209	45	85	49.2	22	19.0	30.2	8.0	6.4	32.70	20.90	0.68
UC 210	50	90	51.6	24	19.0	32.6	10.0	6.5	35.00	23.20	0.80
UC 211	55	100	55.6	25	22.2	33.4	10.0	7.0	43.30	29.20	1.11
UC 212	60	110	65.1	27	25.4	39.7	10.0	7.6	47.70	32.80	1.54
UC 213	65	120	65.1	28	25.4	39.7	10.0	8.5	57.20	40.00	1.85
UC 214	70	125	74.6	29	30.2	44.4	12.0	8.9	62.10	44.80	2.05
UC 215	75	130	77.8	30	33.3	44.5	12.0	9.2	66.20	49.30	2.21
UC 216	80	140	82.6	32	33.3	49.3	12.0	9.5	72.60	53.30	2.80
UC 217	85	150	85.7	34	34.1	51.6	12.0	10.2	83.30	63.70	3.46
UC 218	90	160	96.0	36	39.7	56.3	12.0	11.1	96.00	71.10	4.36

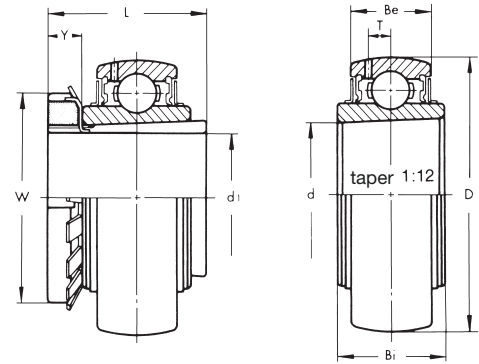
Insert  
**UC 300**  
 Heavy duty  
 Set-screw locking



Designation	d	D	Bi	Be	n	m	G	T	Load ratings		Weight kg
	mm	mm	mm	mm	mm	mm	mm	mm	dynamic C kN	static C <sub>0</sub> kN	
UC 305	25	62	38	20	15	23	6	5.4	22.40	11.50	0.35
UC 306	30	72	43	23	17	26	6	5.7	26.50	14.90	0.56
UC 307	35	80	48	25	19	29	8	6.2	33.30	19.10	0.71
UC 308	40	90	52	27	19	33	10	7.0	40.60	23.70	0.96
UC 309	45	100	57	30	22	35	10	7.8	48.60	28.90	1.28
UC 310	50	110	61	32	22	39	12	8.5	62.00	38.00	1.65
UC 311	55	120	66	34	25	41	12	9.2	71.60	44.60	2.07
UC 312	60	130	71	36	26	45	12	9.8	81.60	51.80	2.60
UC 313	65	140	75	38	30	45	12	10.5	93.70	60.40	3.25
UC 314	70	150	78	40	33	45	12	11.1	103.60	67.10	3.89
UC 315	75	160	82	42	32	50	14	11.8	112.80	75.70	4.72
UC 316	80	170	86	44	34	52	14	12.5	123.50	88.20	5.55
UC 317	85	180	96	46	40	56	16	13.1	133.00	97.50	6.67
UC 318	90	190	96	48	40	56	16	13.8	144.70	110.60	7.56

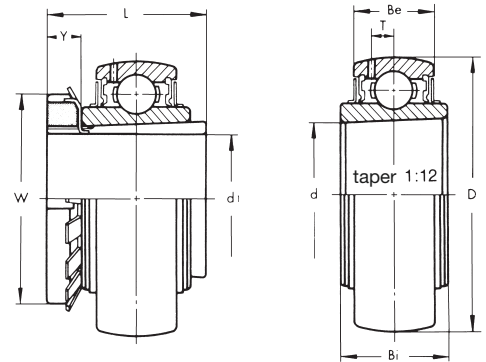


**Insert**  
**UK 200+H**  
**Normal duty**  
**Adapter sleeve locking**



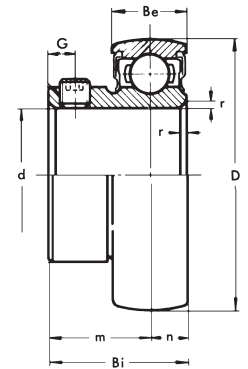
Designation	$d_1$	D	L	d	Bi	Be	T	Y	W	Load ratings		Weight kg
	mm									mm	mm	
UK 205+H2305	20	52	35	25	23	17	3.9	8	38	14.00	7.85	0.25
UK 206+H2306	25	62	38	30	26	19	5.0	8	45	19.45	11.25	0.36
UK 207+H2307	30	72	43	35	29	20	5.7	9	52	25.70	15.20	0.57
UK 208+H2308	35	80	46	40	31	21	6.2	10	58	29.50	18.10	0.74
UK 209+H2309	40	85	50	45	31	22	6.4	11	65	32.70	20.90	0.83
UK 210+H2310	45	90	55	50	32	24	6.5	12	70	35.00	23.20	0.97
UK 211+H2311	50	100	59	55	35	25	7.0	12	75	43.30	29.20	1.26
UK 212+H2312	55	110	62	60	38	27	7.6	13	80	47.70	32.80	1.59
UK 213+H2313	60	120	65	65	40	28	8.5	14	85	57.20	40.00	1.76
UK 215+H2315	65	130	73	75	44	30	9.2	15	98	66.20	49.30	2.32
UK 216+H2316	70	140	78	80	45	32	9.5	17	105	72.60	53.30	3.06
UK 217+H2317	75	150	82	85	46	34	10.2	18	110	83.30	63.70	3.88
UK 218+H2318	80	160	86	90	47	36	11.2	18	120	96.00	71.10	4.74

**Insert**  
**UK 300+H**  
**Heavy duty**  
**Adapter sleeve locking**



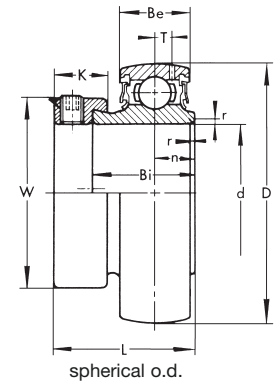
Designation	$d_1$	D	L	d	Bi	Be	T	Y	W	Load ratings		Weight kg
	mm									mm	mm	
UK 305+H2305	20	62	35	25	26	20	5.4	8	38	22.40	11.50	0.48
UK 306+H2306	25	72	38	30	29	23	5.7	8	45	26.50	14.90	0.59
UK 307+H2307	30	80	43	35	33	25	6.2	9	52	33.30	19.10	0.74
UK 308+H2308	35	90	46	40	34	27	7.0	10	58	40.60	23.70	1.01
UK 309+H2309	40	100	55	45	37	30	7.8	12	70	48.60	28.90	1.31
UK 310+H2310	45	110	55	50	41	32	8.5	12	70	62.00	38.00	1.68
UK 311+H2311	50	120	59	55	44	34	9.2	12	75	71.60	44.60	2.06
UK 312+H2312	55	130	62	60	47	36	9.8	13	80	81.60	51.80	2.53
UK 313+H2313	60	140	65	65	49	38	10.5	14	85	93.70	60.40	3.07
UK 315+H2315	65	160	73	75	55	42	11.8	15	98	103.60	67.00	4.74
UK 316+H2316	70	170	78	80	55	44	12.5	17	105	112.80	75.70	5.62
UK 317+H2317	75	180	82	85	60	46	13.1	18	110	123.50	88.20	6.56
UK 318+H2318	80	190	86	90	63	48	13.8	18	120	133.00	97.50	7.52

**Insert**  
**B 200**  
**Light duty**  
**Set-screw locking**



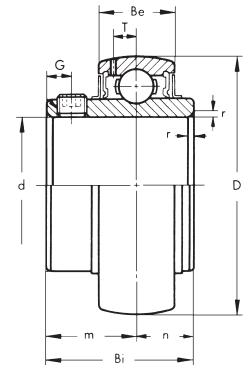
Designation	$d$	D	Bi	Be	n	m	G	Load ratings		Weight kg
	mm							mm	mm	
B 201	12	40	22	12	6.0	16.0	4.5	9.60	4.60	0.10
B 202	15	40	22	12	6.0	16.0	4.5	9.60	4.60	0.10
B 203	17	40	22	12	6.0	16.0	4.5	9.60	4.60	0.09
B 204	20	47	25	14	7.0	18.0	4.5	12.80	6.60	0.13
B 205	25	52	27	15	7.5	19.5	5.5	14.00	7.85	0.16
B 206	30	62	30	16	8.0	22.0	6.0	19.45	11.25	0.25
B 207	35	72	32	17	8.5	23.5	6.5	27.70	15.20	0.38

**Insert**  
**KH 200+ER**  
**Light duty**  
**Spherical outer ring**  
**Eccentric collar locking**



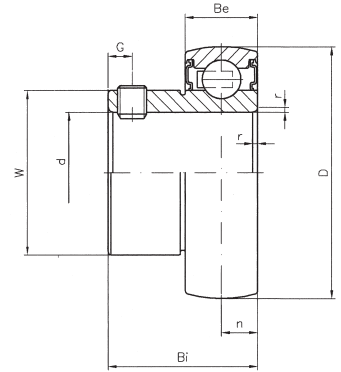
Designation	d	D	L	Bi	Be	T	n	W	K	Load ratings		Weight kg
	mm	mm	mm	mm	mm	mm	mm	mm	mm	dynamic C kN	static C <sub>0</sub> kN	
KH 201+ER	12	40	28.6	19.1	12	3.6	6.5	28.6	13.5	9.60	4.60	0.12
KH 202+ER	15	40	28.6	19.1	12	3.6	6.5	28.6	13.5	9.60	4.60	0.11
KH 203+ER	17	40	28.6	19.1	12	3.6	6.5	28.6	13.5	9.60	4.60	0.10
KH 204+ER	20	47	31.0	21.5	14	4.1	7.5	33.3	13.5	12.80	6.35	0.16
KH 205+ER	25	52	31.0	21.5	15	4.1	7.5	38.1	13.5	14.00	7.30	0.20
KH 206+ER	30	62	35.7	23.8	16	4.9	9.0	44.5	15.9	19.50	10.50	0.31
KH 207+ER	35	72	38.9	25.4	17	5.4	9.5	55.6	17.5	25.70	14.30	0.49
KH 208+ER	40	80	43.7	30.2	18	5.9	11.0	60.3	18.3	29.50	16.50	0.62
KH 209+ER	45	85	43.7	30.2	19	6.2	11.0	63.5	18.3	31.60	18.90	0.65
KH 210+ER	50	90	43.7	30.2	20	6.5	11.0	69.9	18.3	35.00	21.10	0.95
KH 211+ER	55	100	48.4	32.5	21	7.0	12.0	76.2	20.7	43.50	26.70	0.94

**Insert**  
**MUC 200**  
**Normal duty in stainless steel**  
**Set-screw locking**



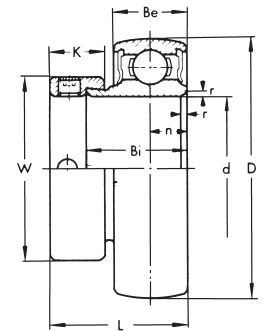
Designation	d	D	Bi	Be	n	m	G	T	Load ratings		Weight kg
	mm	mm	mm	mm	mm	mm	mm	mm	dynamic C kN	static C <sub>0</sub> kN	
MUC 204	20	47	31.0	17	12.7	18.3	4.8	3.7	12.80	6.60	0.16
MUC 205	25	52	34.1	17	14.3	19.8	5.0	3.9	14.00	7.85	0.18
MUC 206	30	62	38.1	19	15.9	22.2	5.0	5.0	19.45	11.25	0.33
MUC 207	35	72	42.9	20	17.5	25.4	7.0	5.7	25.70	15.20	0.49
MUC 208	40	80	49.2	21	19.0	30.2	8.0	6.2	29.50	18.10	0.65
MUC 209	45	85	49.2	22	19.0	30.2	8.0	6.4	32.70	20.90	0.71
MUC 210	50	90	51.6	24	19.0	32.6	10.0	6.5	35.00	23.20	0.80

**Insert  
K 000  
Normal version for silver-series  
Set-screw locking**



Designation	d	D	Bi	Be	n	G	Load ratings		Weight kg
	mm	mm	mm	mm	mm	mm	dynamic C kN	static C <sub>0</sub> kN	
K000	10	26	14.0	8	4.0	3.0	4.60	1.96	0.02
K001	12	28	14.5	8	4.0	3.0	5.09	2.40	0.03
K002	15	32	16.5	9	4.5	3.5	5.58	2.84	0.04
K003	17	35	17.5	10	5.0	3.5	5.97	3.28	0.05
K004	20	42	21.0	12	6.0	4.0	9.35	5.04	0.09
K005	25	47	22.5	12	6.0	4.5	10.09	5.83	0.10
K006	30	55	24.5	13	6.5	5.0	13.23	8.28	0.15

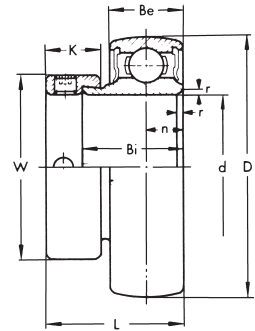
**Insert  
U 000+ER  
Special version for silver series  
Eccentric collar locking**



Designation	d	D	L	Bi	Be	n	k	W	Load ratings		Weight kg
	mm	mm	mm	mm	mm	mm	mm	mm	dynamic C kN	static C <sub>0</sub> kN	
U000+ER	10	26	17.5	11.0	8	4.0	8.5	17	4.60	1.96	0.03
U001+ER	12	28	17.5	11.0	8	4.0	8.5	19	5.09	2.40	0.04
U002+ER	15	32	18.5	12.0	9	4.5	8.5	22	5.58	2.84	0.05
U003+ER	17	35	20.5	13.5	10	5.0	9.5	25	5.97	3.28	0.06
U004+ER	20	42	24.5	16.5	12	6.0	11.0	30	9.35	5.04	0.10
U005+ER	25	47	25.5	17.5	12	6.0	12.0	36	10.09	5.83	0.14
U006+ER	30	55	26.5	18.5	13	6.5	12.0	42	13.23	8.28	0.14
U007+ER	35	62	29.5	20.0	14	7.0	13.5	48	15.92	10.29	0.25



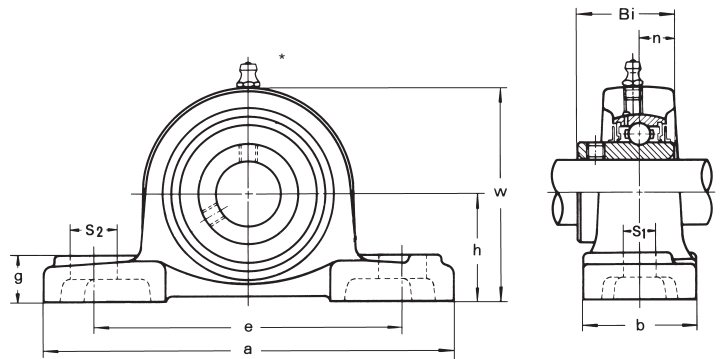
**Insert**  
**MU 000+ER**  
Special version for silver-stainless-  
steel-series made of stainless steel  
Eccentric collar locking



Designation	d	D	L	Bi	Be	n	k	W	Load ratings		Weight kg
	mm	mm	mm	mm	mm	mm	mm	mm	dynamic C kN	static C <sub>0</sub> kN	
MU000+ER	10	26	17.5	11.0	8	4.0	8.5	17	4.60	1.96	0.03
MU001+ER	12	28	17.5	11.0	8	4.0	8.5	19	5.09	2.40	0.04
MU002+ER	15	32	18.5	12.0	9	4.5	8.5	22	5.58	2.84	0.05
MU003+ER	17	35	20.5	13.5	10	5.0	9.5	25	5.97	3.28	0.06
MU004+ER	20	42	24.5	16.5	12	6.0	11.0	30	9.35	5.04	0.10
MU005+ER	25	47	25.5	17.5	12	6.0	12.0	36	10.09	5.83	0.14
MU006+ER	30	55	26.5	18.5	13	6.5	12.0	42	13.23	8.28	0.14

## CAST IRON version pillow blocks

**Pillow block**  
**UCP 200**  
**Normal duty**  
**Set-screw locking**  
**Insert UC 200**



Designation	Shaft diameter mm	h mm	a mm	e mm	b mm	s <sub>1</sub> mm	s <sub>2</sub> mm	g mm	w mm	Bi mm	n mm	Bolt size	Weight kg
UCP 201	12	30.2	127	95	38	13	19	14	62	31.0	12.7	M10	0.69
UCP 202	15	30.2	127	95	38	13	19	14	62	31.0	12.7	M10	0.69
UCP 203	17	30.2	127	95	38	13	19	14	62	31.0	12.7	M10	0.68
UCP 204	20	33.3	127	95	38	13	19	14	65	31.0	12.7	M10	0.66
UCP 205	25	36.5	140	105	38	13	19	15	71	34.1	14.3	M10	0.81
UCP 206	30	42.9	165	121	48	17	20	17	84	38.1	15.9	M14	1.24
UCP 207	35	47.6	167	127	48	17	20	18	93	42.9	17.5	M14	1.58
UCP 208	40	49.2	184	137	54	17	20	18	100	49.2	19.0	M14	1.89
UCP 209	45	54.0	190	146	54	17	20	20	106	49.2	19.0	M14	2.14
UCP 210	50	57.2	206	159	60	20	23	21	113	51.6	19.0	M16	2.66
UCP 211	55	63.5	219	171	60	20	23	23	125	55.6	22.2	M16	3.31
UCP 212	60	69.8	241	184	70	20	23	25	138	65.1	25.4	M16	4.90
UCP 213	65	76.2	265	203	70	25	28	27	150	65.1	25.4	M20	5.15
UCP 214	70	79.4	266	210	72	25	28	27	156	74.6	30.2	M20	6.20
UCP 215	75	82.6	275	217	74	25	28	28	162	77.8	33.3	M20	7.16
UCP 216	80	88.9	292	232	78	25	28	30	174	82.6	33.3	M20	8.10
UCP 217	85	95.2	310	247	83	25	28	32	185	85.7	34.1	M20	9.81
UCP 218	90	101.6	327	262	88	27	30	33	198	96.0	39.7	M22	11.96

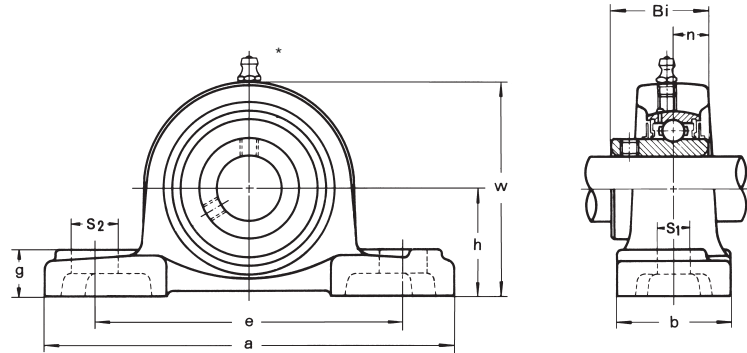
\*) grease nipple 45°

**Available on request with inserts of series UK and KH. Covers are possible as special version.**

The conventional housing tolerances are valid for all shown housing dimensions.

All cast housing tolerances are nominal sizes and the conventional cast tolerances must be added.

**Pillow block**  
**UCP 300**  
**Heavy duty**  
**Set-screw locking**  
**Insert UC 300**



Designation	Shaft diameter mm	h mm	a mm	e mm	b mm	s <sub>1</sub> mm	s <sub>2</sub> mm	g mm	w mm	Bi mm	n mm	Bolt size	Weight kg
UCP 305	25	45	175	132	45	17	20	15	85	38	15	M14	1.4
UCP 306	30	50	180	140	50	17	20	18	95	43	17	M14	1.8
UCP 307	35	56	210	160	56	17	25	20	106	48	19	M14	2.8
UCP 308	40	60	220	170	60	17	27	22	116	52	19	M14	3.0
UCP 309	45	67	245	190	67	20	30	24	129	57	22	M16	4.1
UCP 310	50	75	275	212	75	20	35	27	143	61	22	M16	5.8
UCP 311	55	80	310	236	80	20	38	30	154	66	25	M16	7.4
UCP 312	60	85	330	250	85	25	38	32	165	71	26	M20	9.4
UCP 313	65	90	340	260	90	25	38	33	176	75	30	M20	10.0
UCP 314	70	95	360	280	90	27	40	35	187	78	33	M22	12.0
UCP 315	75	100	380	290	100	27	40	35	198	82	32	M22	14.0
UCP 316	80	106	400	300	110	27	40	40	210	86	34	M22	18.0
UCP 317	85	112	420	320	110	33	45	40	220	96	40	M27	20.0
UCP 318	90	118	430	330	110	33	45	45	235	96	40	M27	24.0

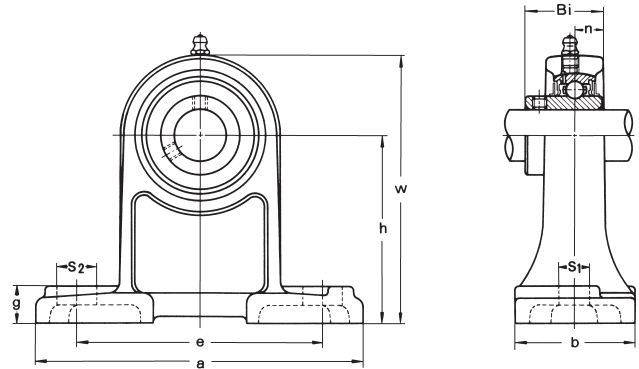
\*) grease nipple 45°

**Available on request with inserts of series UK and KH. Covers are possible as special version.**

The conventional housing tolerances are valid for all shown housing dimensions.

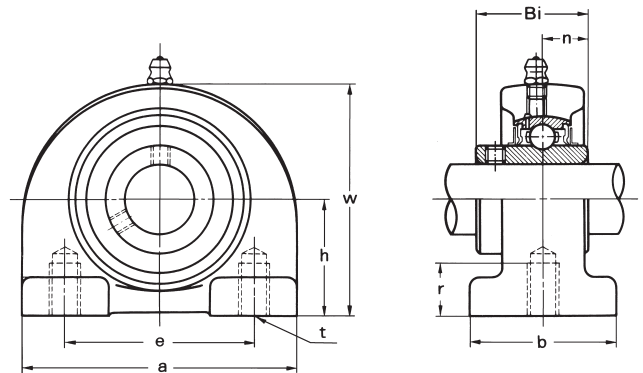
All cast housing tolerances are nominal sizes and the conventional cast tolerances must be added.

**Pillow block  
UCPH 200  
Normal duty  
Set-screw locking  
Insert UC 200**



Designation	Shaft diameter mm	h mm	a mm	e mm	b mm	s <sub>1</sub> mm	s <sub>2</sub> mm	g mm	w mm	Bi mm	n mm	Bolt size	Weight kg
UCPH 201	12	70	127	95	40	13	19	15	101	31.0	12.7	M10	0.81
UCPH 202	15	70	127	95	40	13	19	15	101	31.0	12.7	M10	0.80
UCPH 203	17	70	127	95	40	13	19	15	101	31.0	12.7	M10	0.79
UCPH 204	20	70	127	95	40	13	19	15	101	31.0	12.7	M10	0.77
UCPH 205	25	80	140	105	50	13	19	16	114	34.1	14.3	M10	1.01
UCPH 206	30	90	161	121	50	17	21	17	130	38.1	15.9	M14	1.47
UCPH 207	35	95	166	127	60	17	21	18	140	42.9	17.5	M14	1.91
UCPH 208	40	100	178	137	70	17	21	19	150	49.2	19.0	M14	2.52
UCPH 209	45	105	189	146	70	17	21	20	158	49.2	19.0	M14	2.72
UCPH 210	50	110	205	159	70	20	23	21	165	51.6	19.0	M16	3.10

**Pillow block  
UCPA 200  
Normal duty  
Set-screw locking  
Insert UC 200**



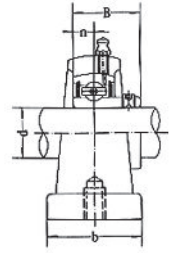
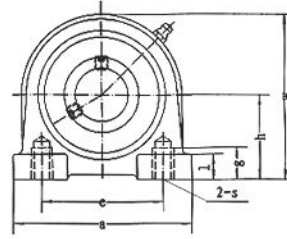
Designation	Shaft diameter mm	h mm	a mm	e mm	b mm	r mm	g mm	w mm	Bi mm	n mm	Bolt size	Weight kg
UCPA 201	12	30.2	76	52	40	15	11	62	31.0	12.7	M10	0.60
UCPA 202	15	30.2	76	52	40	15	11	62	31.0	12.7	M10	0.59
UCPA 203	17	30.2	76	52	40	15	11	62	31.0	12.7	M10	0.58
UCPA 204	20	30.2	76	52	40	15	11	62	31.0	12.7	M10	0.56
UCPA 205	25	36.5	84	56	38	15	12	72	34.1	14.3	M10	0.83
UCPA 206	30	42.9	94	66	50	18	12	84	38.1	15.9	M14	1.12
UCPA 207	35	47.6	110	80	55	20	13	95	42.9	17.5	M14	1.48
UCPA 208	40	49.2	116	84	58	20	13	100	49.2	19.0	M14	1.89
UCPA 209	45	54.2	120	90	60	25	13	108	49.2	19.0	M14	1.98
UCPA 210	50	57.2	130	94	64	25	14	116	51.6	19.0	M16	2.16

**Covers are possible as special version.**

The conventional housing tolerances are valid for all shown housing dimensions.  
All cast housing tolerances are nominal sizes and the conventional cast tolerances must be added.



**Pillow block**  
**UCPW 200**  
**Normal duty**  
**Set-screw locking**  
**Insert UC 200**



Designation	Shaft diameter mm	h mm	a mm	e mm	b mm	g mm	l mm	w mm	Bi mm	n mm	Bolt size	Weight kg
UCPW 204	20	33.3	65	50.8	32	15	14.5	64	31.0	12.7	M 8	0.46
UCPW 205	25	36.5	70	50.8	36	15	13.0	70	34.1	14.3	M10	0.67
UCPW 206	30	42.9	98	76.2	38	18	16.0	82	38.1	15.9	M10	1.12
UCPW 207	35	47.6	103	82.6	45	20	19.0	93	42.9	17.5	M10	1.38
UCPW 208	40	49.2	116	88.9	48	20	19.0	99	49.2	19.0	M12	1.86
UCPW 209	45	53.9	120	95.3	48	25	19.0	107	49.2	19.0	M12	1.92
UCPW 210	50	57.2	135	101.6	54	25	22.0	115	51.6	19.0	M16	2.24

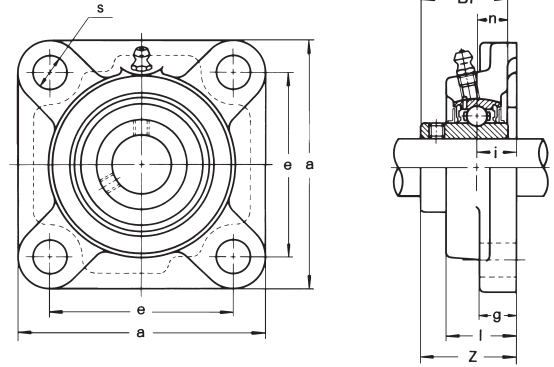
**Covers are possible as special version.**

The conventional housing tolerances are valid for all shown housing dimensions.

All cast housing tolerances are nominal sizes and the conventional cast tolerances must be added.

## CAST IRON version square flange units

**Square flange**  
**UCF 200**  
**Normal duty**  
**Set-screw locking**  
**Insert UC 200**



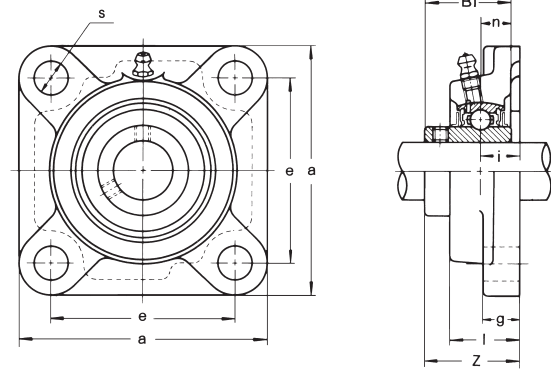
Designation	Shaft diameter mm	a mm	e mm	i mm	g mm	l mm	s mm	Z mm	Bi mm	n mm	Bolt size	Weight kg
UCF 201	12	86	64	15	12	25.5	12	33.3	31.0	12.7	M10	0.60
UCF 202	15	86	64	15	12	25.5	12	33.3	31.0	12.7	M10	0.59
UCF 203	17	86	64	15	12	25.5	12	33.3	31.0	12.7	M10	0.58
UCF 204	20	86	64	15	12	25.5	12	33.3	31.0	12.7	M10	0.56
UCF 205	25	95	70	16	14	27.0	12	35.8	34.1	14.3	M10	0.80
UCF 206	30	108	83	18	14	31.0	12	40.2	38.1	15.9	M10	1.12
UCF 207	35	117	92	19	16	34.0	14	44.4	42.9	17.5	M12	1.46
UCF 208	40	130	102	21	16	36.0	16	51.2	49.2	19.0	M14	1.84
UCF 209	45	137	105	22	18	38.0	16	52.2	49.2	19.0	M14	2.15
UCF 210	50	143	111	22	18	40.0	16	54.6	51.6	19.0	M14	2.42
UCF 211	55	162	130	25	20	43.0	19	58.4	55.6	22.2	M16	3.31
UCF 212	60	175	143	29	20	48.0	19	68.7	65.1	25.4	M16	4.28
UCF 213	65	187	149	30	22	50.0	19	69.7	65.1	25.4	M16	4.99
UCF 214	70	193	152	31	22	54.0	19	75.4	74.6	30.2	M16	5.85
UCF 215	75	200	159	34	22	56.0	19	78.5	77.8	33.3	M16	6.91
UCF 216	80	208	165	34	22	58.0	23	83.3	82.6	33.3	M20	7.50
UCF 217	85	220	175	36	24	63.0	23	87.6	85.7	34.1	M20	9.66
UCF 218	90	235	187	40	24	68.0	23	96.3	96.0	39.7	M20	12.06

**Available on request with inserts of serie UK. Covers are possible as special version.**

The conventional housing tolerances are valid for all shown housing dimensions.

All cast housing tolerances are nominal sizes and the conventional cast tolerances must be added.

**Square flange**  
**UCF 300**  
**Heavy duty**  
**Set-screw locking**  
**Insert UC 300**



Designation	Shaft diameter mm	a mm	e mm	i mm	g mm	l mm	s mm	Z mm	Bi mm	n mm	Bolt size	Weight kg
UCF 305	25	110	80	16	13	29	16	39	38	15	M14	1.1
UCF 306	30	125	95	18	15	32	16	44	43	17	M14	1.6
UCF 307	35	135	100	20	16	36	19	49	48	19	M16	2.0
UCF 308	40	150	112	23	17	40	19	56	52	19	M16	2.7
UCF 309	45	160	125	25	18	44	19	60	57	22	M16	3.4
UCF 310	50	175	132	28	19	48	23	67	61	22	M20	4.5
UCF 311	55	185	140	30	20	52	23	71	66	25	M20	5.5
UCF 312	60	195	150	33	22	56	23	78	71	26	M20	6.5
UCF 313	65	208	166	33	22	58	23	78	75	30	M20	7.9
UCF 314	70	226	178	36	25	61	25	81	78	33	M22	9.5
UCF 315	75	236	184	39	25	66	25	89	82	32	M22	12.0
UCF 316	80	250	196	38	27	68	31	90	86	34	M27	14.0
UCF 317	85	260	204	44	27	74	31	100	96	40	M27	16.0
UCF 318	90	280	216	44	30	76	35	100	96	40	M30	19.0

**Covers are possible as special version.**

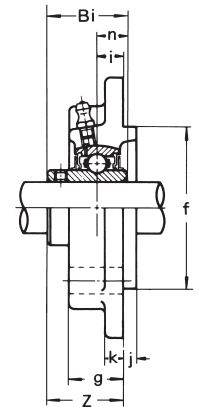
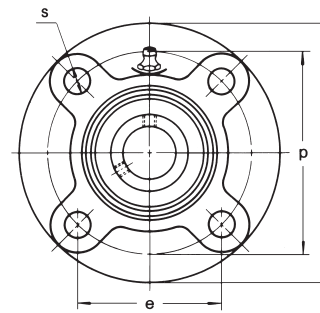
The conventional housing tolerances are valid for all shown housing dimensions.

All cast housing tolerances are nominal sizes and the conventional cast tolerances must be added.



## CAST IRON version flange cartridge units

Flange cartridge  
**UCFC 200**  
 Normal duty  
 Set-screw locking  
 Insert UC 200



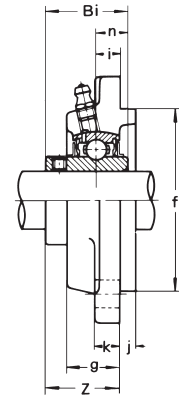
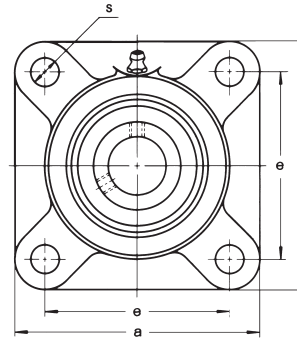
Designation	Shaft diameter mm	a mm	p mm	e mm	i mm	s mm	j mm	k mm	g mm	f mm	Z mm	Bi mm	n max. mm	Bolt size	Weight kg
UCFC 201	12	100	78	55.1	10	12	5	7	20.5	62	28.3	31.0	12.7	M10	0.73
UCFC 202	15	100	78	55.1	10	12	5	7	20.5	62	28.3	31.0	12.7	M10	0.72
UCFC 203	17	100	78	55.1	10	12	5	7	20.5	62	28.3	31.0	12.7	M10	0.71
UCFC 204	20	100	78	55.1	10	12	5	7	20.5	62	28.3	31.0	12.7	M10	0.69
UCFC 205	25	115	90	63.6	10	12	6	7	21.0	70	29.8	34.1	14.3	M10	1.00
UCFC 206	30	125	100	70.7	10	12	8	8	23.0	80	32.2	38.1	15.9	M10	1.30
UCFC 207	35	135	110	77.8	11	14	8	9	26.0	90	36.4	42.9	17.5	M12	1.81
UCFC 208	40	145	120	84.8	11	14	10	9	26.0	100	41.2	49.2	19.0	M12	2.14
UCFC 209	45	160	132	93.3	10	16	12	14	26.0	105	40.2	49.2	19.0	M14	2.68
UCFC 210	50	165	138	97.6	10	16	12	14	28.0	110	42.6	51.6	19.0	M14	2.90
UCFC 211	55	185	150	106.1	13	19	12	15	31.0	125	46.4	55.6	22.2	M16	4.01
UCFC 212	60	195	160	113.1	17	19	12	15	36.0	135	56.7	65.1	25.4	M16	4.94
UCFC 213	65	205	170	120.2	16	19	14	15	36.0	145	55.7	65.1	25.4	M16	5.65
UCFC 214	70	215	177	125.1	17	19	14	18	40.0	150	61.4	74.6	30.2	M16	6.95
UCFC 215	75	220	184	130.1	18	19	16	18	40.0	160	62.5	77.8	33.3	M16	7.56
UCFC 216	80	240	200	141.4	18	23	16	18	42.0	170	67.3	82.6	33.3	M20	9.15
UCFC 217	85	250	208	147.1	18	23	18	20	45.0	180	69.6	85.7	34.1	M20	10.81
UCFC 218	90	265	220	155.5	22	23	18	20	50.0	190	78.3	96.0	39.7	M20	12.96

Available on request with inserts of serie UK. Covers are possible as special version.

The conventional housing tolerances are valid for all shown housing dimensions.

All cast housing tolerances are nominal sizes and the conventional cast tolerances must be added.

**Flange cartridge**  
**UCFS 300**  
**Heavy duty**  
**Set-screw locking**  
**Insert UC 300**



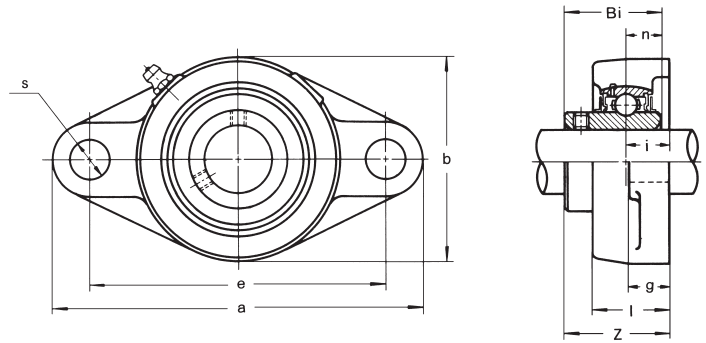
Designation	Shaft diameter mm	a mm	e mm	i mm	s mm	j mm	k mm	g mm	f mm	Z mm	Bi mm	n max. mm	Bolt size	Weight kg
UCFS 305	25	110	80	9	16	7	13	22	80	39	38	15	M14	1.3
UCFS 306	30	125	95	10	16	8	15	24	90	44	43	17	M14	1.9
UCFS 307	35	135	100	11	19	9	16	27	100	49	48	19	M16	2.4
UCFS 308	40	150	112	13	19	10	17	30	115	56	52	19	M16	3.3
UCFS 309	45	160	125	14	19	11	18	33	125	60	57	22	M16	4.0
UCFS 310	50	175	132	16	23	12	19	36	140	67	61	22	M20	5.3
UCFS 311	55	185	140	17	23	13	20	39	150	71	66	25	M20	6.2
UCFS 312	60	195	150	19	23	14	22	42	160	78	71	26	M20	7.2
UCFS 313	65	208	166	15	23	18	22	40	175	78	75	30	M20	8.9
UCFS 314	70	226	178	18	25	18	25	43	185	81	78	33	M22	11.0
UCFS 315	75	236	184	21	25	18	25	48	200	89	82	32	M22	13.0
UCFS 316	80	250	196	18	31	20	27	48	210	90	86	34	M27	15.0
UCFS 317	85	260	204	24	31	20	27	54	220	100	96	40	M27	17.0
UCFS 318	90	280	216	24	35	20	30	56	240	100	96	40	M30	21.0

**Covers are possible as special version.**

The conventional housing tolerances are valid for all shown housing dimensions.  
 All cast housing tolerances are nominal sizes and the conventional cast tolerances must be added.

## CAST IRON version two-bolt flange units

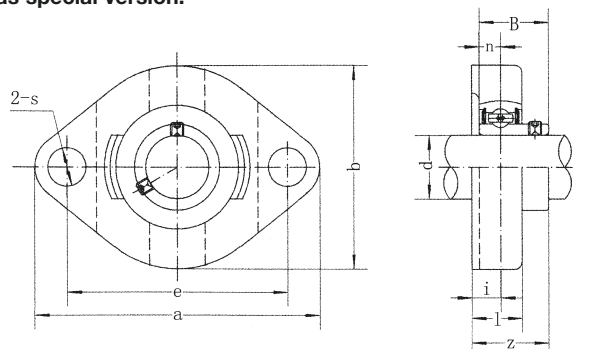
**Two-bolt flange**  
**UCFL 200**  
**Normal duty**  
**Set-screw locking**  
**Insert UC 200**



Designation	Shaft diameter mm	a mm	e mm	i mm	g mm	l mm	s mm	b mm	Z mm	Bi mm	n mm	Bolt size	Weight kg
UCFL 201	12	113	90	15	11	25.5	12	60	33.3	31.0	12.7	M10	0.45
UCFL 202	15	113	90	15	11	25.5	12	60	33.3	31.0	12.7	M10	0.44
UCFL 203	17	113	90	15	11	25.5	12	60	33.3	31.0	12.7	M10	0.43
UCFL 204	20	113	90	15	11	25.5	12	60	33.3	31.0	12.7	M10	0.41
UCFL 205	25	130	99	16	13	27.0	16	68	35.8	34.1	14.3	M14	0.58
UCFL 206	30	148	117	18	13	31.0	16	80	40.2	38.1	15.9	M14	0.86
UCFL 207	35	161	130	19	14	34.0	16	90	44.4	42.9	17.5	M14	1.08
UCFL 208	40	175	144	21	14	36.0	16	100	51.2	49.2	19.0	M14	1.44
UCFL 209	45	188	148	22	15	38.0	19	108	52.2	49.2	19.0	M16	1.74
UCFL 210	50	197	157	22	15	40.0	19	115	54.6	51.6	19.0	M16	2.10
UCFL 211	55	224	184	25	18	43.0	19	130	58.4	55.6	22.2	M16	2.91
UCFL 212	60	250	202	29	18	48.0	23	140	68.7	65.1	25.4	M20	3.74
UCFL 213	65	258	210	30	22	50.0	23	155	69.7	65.1	25.4	M20	4.57
UCFL 214	70	265	216	31	22	54.0	23	160	75.4	74.6	30.2	M20	5.11
UCFL 215	75	275	225	34	22	56.0	23	165	78.5	77.8	33.3	M20	5.37
UCFL 216	80	290	233	34	22	58.0	25	180	83.3	82.6	33.3	M22	7.20
UCFL 217	85	305	248	36	24	63.0	25	190	87.6	85.7	34.1	M22	8.61
UCFL 218	90	320	265	40	24	68.0	25	205	96.3	96.0	39.7	M22	10.51

Available on request with inserts of serie UK. Covers are possible as special version.

**Two-bolt flange**  
**BLCTE 200**  
**Light duty**  
**Set-screw locking**  
**Insert B200**



Bezeichnung	Bohrungs- durchmesser mm	a mm	e mm	i mm	g mm	s mm	b mm	Z mm	Bi mm	n mm	Befestigungs- schrauben	Gewicht kg
BLCTE 201	12	81,0	63,5	8,5	15,0	7,0	58,7	24,5	22	6,0	M6	0,3
BLCTE 202	15	81,0	63,5	8,5	15,0	7,0	58,7	24,5	22	6,0	M6	0,3
BLCTE 203	17	81,0	63,5	8,5	15,0	7,0	58,7	24,5	22	6,0	M6	0,3
BLCTE 204	20	90,5	71,4	9,5	17,0	9,0	66,5	27,5	25	7,0	M8	0,4
BLCTE 205	25	97,0	76,2	9,5	17,5	9,0	71,0	29,0	27	7,5	M8	0,5
BLCTE 206	30	112,5	90,5	11,5	20,5	11,5	84,0	33,5	30	8,0	M10	0,8
BLCTE 207	35	126,0	100,0	12,5	22,0	11,5	94,0	36,0	32	8,5	M10	0,9
BLCTE 208	40	150,0	119,0	14,5	24,0	14,0	100,0	39,5	34	9,0	M12	1,4

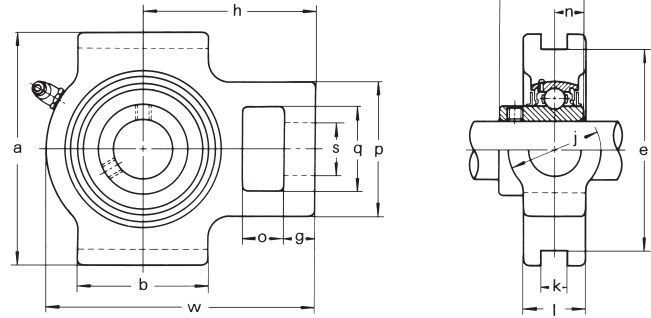
Available on request with inserts of serie UK. Covers are possible as special version.

The conventional housing tolerances are valid for all shown housing dimensions.  
 All cast housing tolerances are nominal sizes and the conventional cast tolerances must be added.



CAST IRON version take-up units

Take-up  
UCT 200  
Normal duty  
Set-screw locking  
Insert UC 200



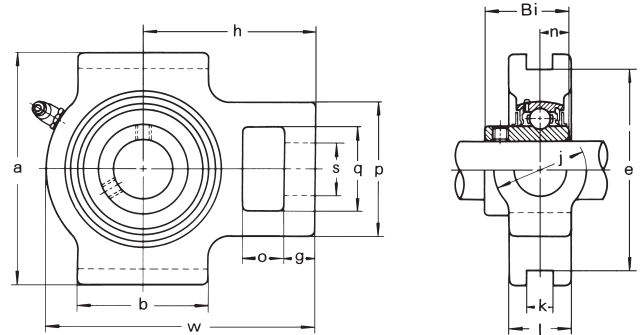
Designation	Shaft diameter mm	o mm	g mm	p mm	q mm	s mm	b mm	k mm	e mm	a mm	w mm	j mm	l mm	h mm	Bi mm	n mm	Weight kg
UCT 201	12	16	10	51	32	19	51	12	76	89	94	32	21	61	31.0	12.7	0.80
UCT 202	15	16	10	51	32	19	51	12	76	89	94	32	21	61	31.0	12.7	0.79
UCT 203	17	16	10	51	32	19	51	12	76	89	94	32	21	61	31.0	12.7	0.78
UCT 204	20	16	10	51	32	19	51	12	76	89	94	32	21	61	31.0	12.7	0.76
UCT 205	25	16	10	51	32	19	51	12	76	89	97	32	24	62	34.1	14.3	0.81
UCT 206	30	16	10	56	37	22	57	12	89	102	113	37	28	70	38.1	15.9	1.22
UCT 207	35	16	13	64	37	22	64	12	89	102	129	37	30	78	42.9	17.5	1.44
UCT 208	40	19	16	83	49	29	83	16	102	114	144	49	33	89	49.2	19.0	2.40
UCT 209	45	19	16	83	49	29	83	16	102	117	144	49	35	87	49.2	19.0	2.39
UCT 210	50	19	16	83	49	29	86	16	102	117	149	49	37	90	51.6	19.0	2.43
UCT 211	55	25	19	102	64	35	95	22	130	146	171	64	38	106	55.6	22.2	4.11
UCT 212	60	32	19	102	64	35	102	22	130	146	194	64	42	119	65.1	25.4	4.97
UCT 213	65	32	21	111	70	41	121	26	151	167	224	70	44	137	65.1	25.4	6.65
UCT 214	70	32	21	111	70	41	121	26	151	167	224	70	46	137	74.6	30.2	7.05
UCT 215	75	32	21	111	70	41	121	26	151	167	232	70	48	140	77.8	33.3	7.41
UCT 216	80	32	21	111	70	41	121	26	165	184	235	70	51	140	82.6	33.3	8.30
UCT 217	85	38	29	124	73	48	157	30	173	198	260	73	54	162	85.7	34.1	11.00

Available on request with inserts of serie UK. Covers are possible as special version.

The conventional housing tolerances are valid for all shown housing dimensions.  
All cast housing tolerances are nominal sizes and the conventional cast tolerances must be added.



Take-up  
UCT 300  
Heavy duty  
Set-screw locking  
Insert UC 300



Designation	Shaft diameter mm	o mm	g mm	p mm	q mm	s mm	b mm	k mm	e mm	a mm	w mm	j mm	l mm	h mm	Bi mm	n mm	Weight kg
UCT 305	25	16	14	62	36	26	65	12	80	89	122	36	26	76	38	15	1.4
UCT 306	30	18	16	70	41	28	74	16	90	100	137	41	28	85	43	17	1.8
UCT 307	35	20	17	75	45	30	80	16	100	111	150	45	32	94	48	19	2.4
UCT 308	40	22	19	83	50	32	89	18	112	124	162	50	34	100	52	19	3.0
UCT 309	45	24	20	90	55	34	97	18	125	138	178	55	38	110	57	22	4.0
UCT 310	50	27	22	98	61	37	106	20	140	151	192	61	40	118	61	22	5.0
UCT 311	55	29	23	105	66	39	115	22	150	163	207	66	44	127	66	25	6.4
UCT 312	60	31	25	113	71	41	123	22	160	178	220	71	46	135	71	26	7.6
UCT 313	65	32	27	116	70	43	134	26	170	190	238	80	50	146	75	30	9.7
UCT 314	70	36	27	130	85	46	140	26	180	202	252	90	52	155	78	33	11.0
UCT 315	75	36	27	132	85	46	150	26	192	216	262	90	55	160	82	32	14.0
UCT 316	80	42	30	150	98	53	160	30	204	230	282	102	60	174	86	34	16.0
UCT 317	85	42	32	152	98	53	170	32	214	240	298	102	64	183	96	40	20.0
UCT 318	90	46	32	160	106	57	175	32	228	255	312	110	66	192	96	40	22.0

Covers are possible as special version.

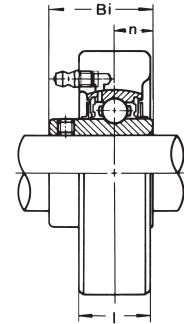
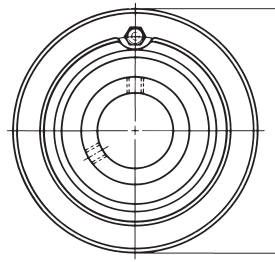
The conventional housing tolerances are valid for all shown housing dimensions.  
All cast housing tolerances are nominal sizes and the conventional cast tolerances must be added.





CAST IRON version cartridge units

Cartridge  
UCC 200  
Normal duty  
Set-screw locking  
Insert UC 200



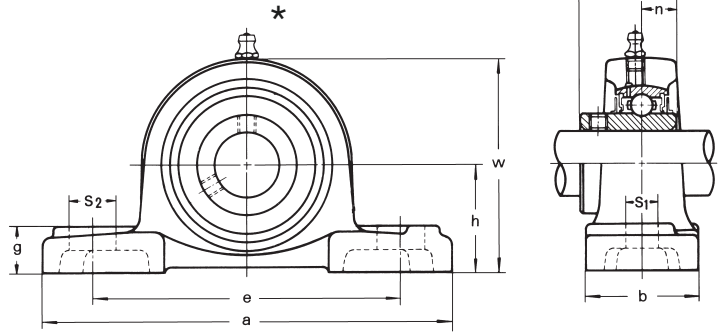
Designation	Shaft diameter mm	a mm	l mm	Bi mm	n mm	Weight kg
UCC 201	12	72	20	31.0	12.7	0.52
UCC 202	15	72	20	31.0	12.7	0.51
UCC 203	17	72	20	31.0	12.7	0.50
UCC 204	20	72	20	31.0	12.7	0.48
UCC 205	25	80	22	34.1	14.3	0.63
UCC 206	30	85	27	38.1	15.9	0.80
UCC 207	35	90	28	42.9	17.5	0.93
UCC 208	40	100	30	49.2	19.0	1.22
UCC 209	45	110	31	49.2	19.0	1.49
UCC 210	50	120	33	51.6	19.0	1.90

**Covers are possible as special version.**

The conventional housing tolerances are valid for all shown housing dimensions.  
All cast housing tolerances are nominal sizes and the conventional cast tolerances must be added.

STAINLESS STEEL version

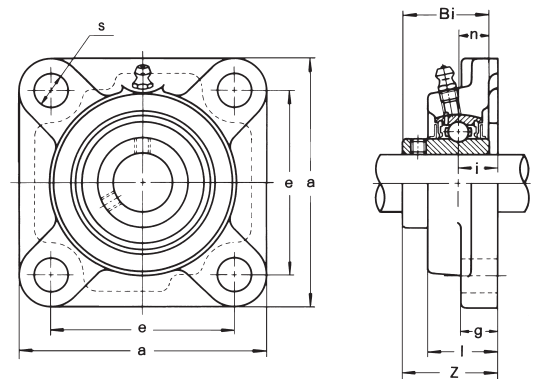
**Pillow block**  
**MUCP 200**  
**Set-screw locking**  
**Insert MUC 200**



Designation	Shaft diameter mm	h mm	a mm	e mm	b mm	s <sub>1</sub> mm	s <sub>2</sub> mm	g mm	w mm	Bi mm	n mm	Bolt size	Weight kg
MUCP 204	20	33.3	127	95	38	13	19	14	65	31.0	12.7	M10	0.66
MUCP 205	25	36.5	140	105	38	13	19	15	71	34.1	14.3	M10	0.81
MUCP 206	30	42.9	165	121	44	17	20	17	84	38.1	15.9	M14	1.24
MUCP 207	35	47.6	167	127	48	17	20	18	93	42.9	17.5	M14	1.58
MUCP 208	40	49.2	184	137	54	17	20	18	100	49.2	19.0	M14	1.89
MUCP 209	45	54.0	190	146	54	17	20	20	106	49.2	19.0	M14	2.14
MUCP 210	50	57.2	206	159	60	20	23	21	113	51.6	19.0	M16	2.66

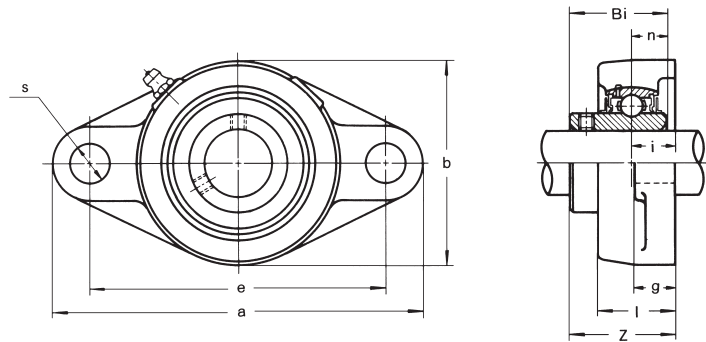
\*) grease nipple 45°

**Square flange**  
**MUCF 200**  
**Set-screw locking**  
**Insert MUC 200**



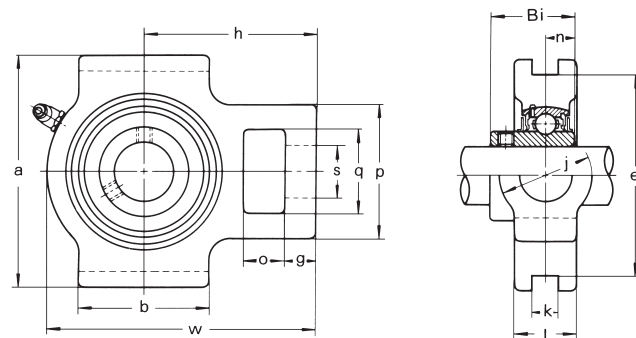
Designation	Shaft diameter mm	a mm	e mm	i mm	g mm	l mm	s mm	Z mm	Bi mm	n mm	Bolt size	Weight kg
MUCF 204	20	86	64	15	12	25.5	12	33.3	31.0	12.7	M10	0.56
MUCF 205	25	95	70	16	14	27.0	12	35.8	34.1	14.3	M10	0.80
MUCF 206	30	108	83	18	14	31.0	12	40.2	38.1	15.9	M10	1.12
MUCF 207	35	117	92	19	16	34.0	14	44.4	42.9	17.5	M12	1.46
MUCF 208	40	130	102	21	16	36.0	16	51.2	49.2	19.0	M14	1.84
MUCF 209	45	137	105	22	18	38.0	16	52.2	49.2	19.0	M14	2.15
MUCF 210	50	143	111	22	18	40.0	16	54.6	51.6	19.0	M14	2.42

**Two-bolt flange**  
**MUCFL 200**  
**Set-screw locking**  
**Insert MUC 200**



Designation	Shaft diameter mm	a mm	e mm	i mm	g mm	l mm	s mm	b mm	Z mm	Bi mm	n mm	Bolt size	Weight kg
MUCFL 204	20	113	90	15	11	25.5	12	60	33.3	31.0	12.7	M10	0.41
MUCFL 205	25	130	99	16	13	27	16	68	35.8	34.1	14.3	M14	0.58
MUCFL 206	30	148	117	18	13	31	16	80	40.2	38.1	15.9	M14	0.86
MUCFL 207	35	161	130	19	14	34	16	90	44.4	42.9	17.5	M14	1.08
MUCFL 208	40	175	144	21	14	36	16	100	51.2	49.2	19.0	M14	1.44
MUCFL 209	45	188	148	22	15	38	19	108	52.2	49.2	19.0	M16	1.71
MUCFL 210	50	197	157	22	15	40	19	115	54.6	51.6	19.0	M16	2.10

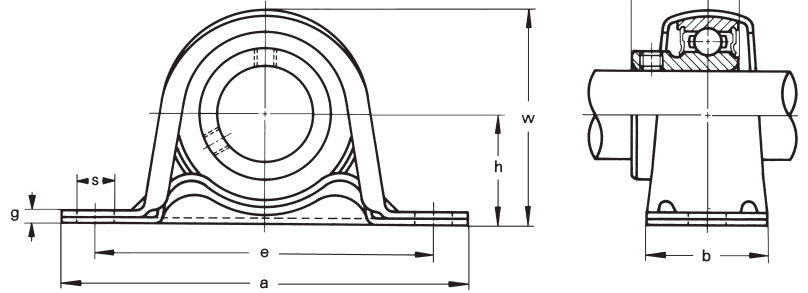
**Take-up**  
**MUCT 200**  
**Set-screw locking**  
**Insert MUC 200**



Designation	Shaft diameter mm	o mm	g mm	p mm	q mm	s mm	b mm	k mm	e mm	a mm	w mm	l mm	j mm	h mm	Bi mm	n mm	Weight kg
MUCT 204	20	16	10	51	32	19	51	12	76	89	94	21	32	61	31.0	12.7	0.83
MUCT 205	25	16	10	51	32	19	51	12	76	89	97	24	32	62	34.1	14.3	0.89
MUCT 206	30	16	10	56	37	22	57	12	89	102	113	28	37	70	38.1	15.9	1.32
MUCT 207	35	16	13	64	37	22	64	12	89	102	129	30	37	78	42.9	17.5	1.77
MUCT 208	40	19	16	83	49	29	83	16	102	114	144	33	49	89	49.2	19.0	2.58
MUCT 209	45	19	16	83	49	29	83	16	102	117	144	35	49	87	49.2	19.0	2.66
MUCT 210	50	19	16	83	49	29	86	16	102	117	149	37	49	90	51.6	19.0	2.77

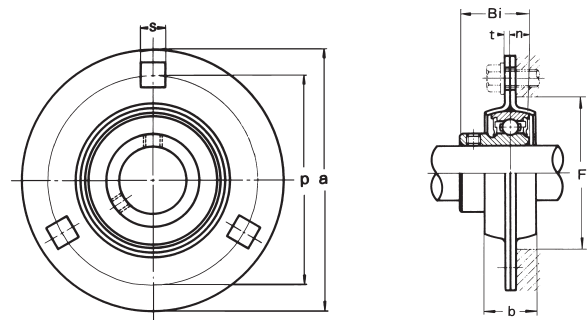
## PRESSED STEEL version

**Pillow block  
with galvanized housing  
BPP 200  
Light duty  
Set-screw locking  
Insert B 200**



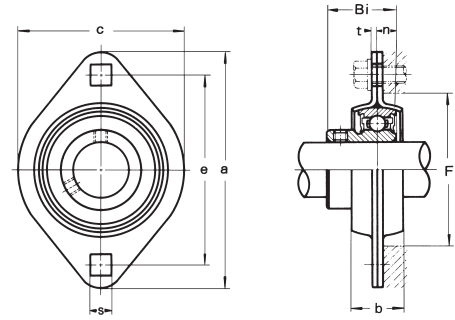
Designation	Shaft diameter mm	h mm	a mm	e mm	b mm	s mm	g mm	w mm	Bi mm	n mm	Bolt size	Weight kg
BPP 201	12	22.2	86	68	25	9.5	3.2	43.8	22	6.0	M 8	0.16
BPP 202	15	22.2	86	68	25	9.5	3.2	43.8	22	6.0	M 8	0.16
BPP 203	17	22.2	86	68	25	9.5	3.2	43.8	22	6.0	M 8	0.16
BPP 204	20	25.4	98	76	32	9.5	3.2	50.5	25	7.0	M 8	0.23
BPP 205	25	28.6	108	86	32	11.5	4.0	56.5	27	7.5	M10	0.28
BPP 206	30	33.3	117	95	38	11.5	4.0	66.3	30	8.0	M10	0.47
BPP 207	35	39.7	129	106	42	11.5	4.6	78.0	32	8.5	M10	0.57

**Round flange with pressed steel housing  
BPF 200  
Light duty  
Set-screw locking  
Insert B 200**



Designation	Shaft diameter mm	a mm	p mm	t mm	b mm	s mm	F min. mm	Bi mm	n mm	Bolt size	Weight kg
BPF 201	12	81	63.5	4.0	14	7.1	49	22	6.0	M 6	0.27
BPF 202	15	81	63.5	4.0	14	7.1	49	22	6.0	M 6	0.27
BPF 203	17	81	63.5	4.0	14	7.1	49	22	6.0	M 6	0.27
BPF 204	20	90	71.5	4.0	16	9.0	56	25	7.0	M 8	0.33
BPF 205	25	95	76.0	4.0	18	9.0	60	27	7.5	M 8	0.38
BPF 206	30	113	90.5	5.2	18	11.0	71	30	8.0	M10	0.62
BPF 207	35	122	100.0	5.2	20	11.0	81	32	8.5	M10	0.82

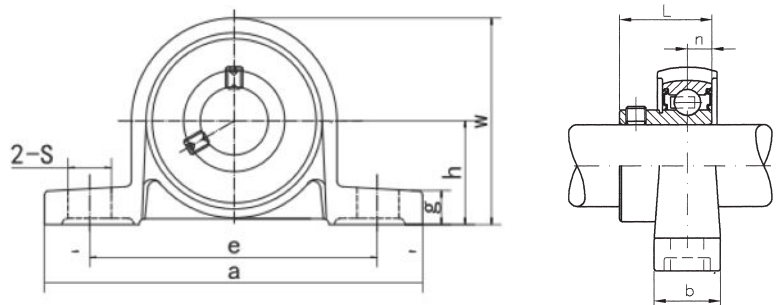
**Two-bolt flange**  
**BPFL 200**  
**Light duty**  
**Set-screw locking**  
**Insert B200**



Designation	Shaft diameter mm	a mm	e mm	t mm	b mm	s mm	c mm	F min. mm	Bi mm	n mm	Bolt size	Weight kg
BPFL 201	12	81	63.5	4.0	14	7.1	59	49	22	6.0	M 6	0.19
BPFL 202	15	81	63.5	4.0	14	7.1	59	49	22	6.0	M 6	0.19
BPFL 203	17	81	63.5	4.0	14	7.1	59	49	22	6.0	M 6	0.19
BPFL 204	20	90	71.5	4.0	16	9.0	67	56	25	7.0	M 8	0.24
BPFL 205	25	95	76.0	5.2	18	9.0	71	60	27	7.5	M 8	0.28
BPFL 206	30	113	90.5	5.2	18	11.0	84	71	30	8.0	M10	0.38

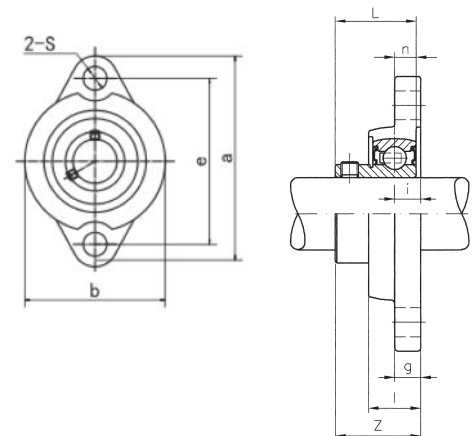
SILVER version

**Pillow block  
KP 000  
Set-screw locking  
Insert K 000**



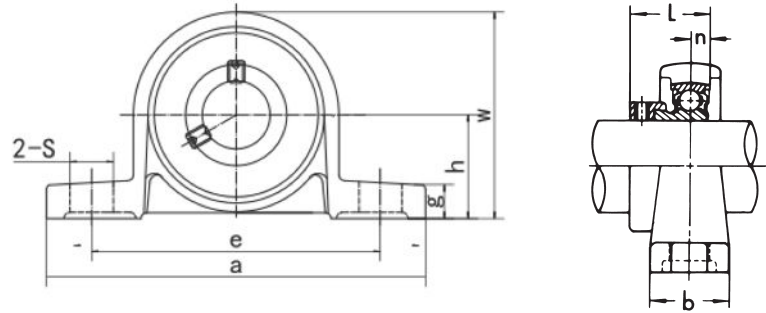
Designation	Shaft diameter mm	h mm	a mm	e mm	b mm	s mm	g mm	w mm	L mm	n mm	Bolt size	Weight kg
KP 000	10	18	67	53	16	7	6	35	14.0	4.0	M 6	0.07
KP 001	12	19	71	56	16	7	6	38	14.5	4.0	M 6	0.09
KP 002	15	22	80	63	16	7	7	43	16.5	4.5	M 6	0.13
KP 003	17	24	85	67	18	7	7	47	17.5	5.0	M 6	0.16
KP 004	20	28	100	80	20	10	9	55	21.0	6.0	M 8	0.23
KP 005	25	32	112	90	20	10	10	62	22.5	6.0	M 8	0.29
KP 006	30	36	132	106	26	13	11	70	24.5	6.5	M10	0.45

**Two-bolt flange  
KFL 000  
Set-screw locking  
Insert K 000**



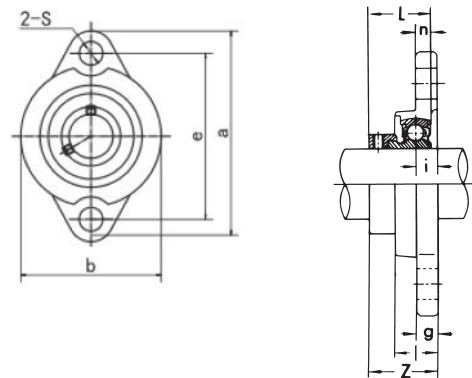
Designation	Shaft diameter mm	a mm	e mm	i mm	g mm	l mm	s mm	b mm	Z mm	L mm	n mm	Bolt size	Weight kg
KFL 000	10	60	45	5.5	5.5	11.5	7.0	36	15.5	14.0	4.0	M 6	0.06
KFL 001	12	63	48	5.5	5.5	11.5	7.0	38	16.0	14.5	4.0	M 6	0.07
KFL 002	15	67	53	6.5	6.5	13.0	7.0	42	18.6	16.5	4.5	M 6	0.10
KFL 003	17	71	56	7.0	7.0	14.0	7.0	46	19.5	17.5	5.0	M 6	0.13
KFL 004	20	90	71	8.0	8.0	16.0	10.0	55	23.0	21.0	6.0	M 8	0.20
KFL 005	25	95	75	8.0	8.0	16.0	10.0	60	24.5	22.5	6.0	M 8	0.25
KFL 006	30	112	85	9.0	9.0	18.0	13.0	70	27.0	24.5	6.5	M10	0.35

**Pillow block**  
**UP 000**  
**Eccentric collar locking**  
**Insert U 000+ER**



Designation	Shaft diameter mm	h mm	a mm	e mm	b mm	s mm	g mm	w mm	L mm	n mm	Bolt size	Weight kg
UP 000	10	18	67	53	16	7.0	6	35	17.5	4.0	M 6	0.077
UP 001	12	19	71	56	16	7.0	6	38	17.5	4.0	M 6	0.091
UP 002	15	22	80	63	16	7.0	7	43	18.5	4.5	M 6	0.125
UP 003	17	24	85	67	18	7.0	7	47	20.5	5.0	M 6	0.156
UP 004	20	28	100	80	20	10.0	9	55	24.5	6.0	M 8	0.230
UP 005	25	32	112	90	20	10.0	10	62	25.5	6.0	M 8	0.294
UP 006	30	36	132	106	26	13.0	11	70	26.5	6.5	M10	0.454

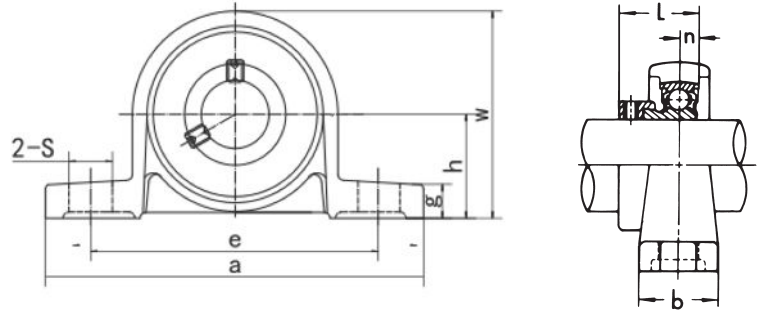
**Two-bolt-flange**  
**UFL 000**  
**Eccentric collar locking**  
**Insert U 000+ER**



Designation	Shaft diameter mm	a mm	e mm	i mm	g mm	l mm	s mm	b mm	Z mm	L mm	n mm	Bolt size	Weight kg
UFL 000	10	60	45	5.5	5.5	11.5	7.0	36	19.0	17.5	4.0	M 6	0.06
UF L001	12	63	48	5.5	5.5	11.5	7.0	38	19.0	17.5	4.0	M 6	0.07
UFL 002	15	67	53	6.5	6.5	13.0	7.0	42	20.5	18.5	4.5	M 6	0.10
UFL 003	17	71	56	7.0	7.0	14.0	7.0	46	22.5	20.5	5.0	M 6	0.13
UFL 004	20	90	71	8.0	8.0	16.0	10.0	55	26.5	24.5	6.0	M 8	0.20
UFL 005	25	95	75	8.0	8.0	16.0	10.0	60	27.5	25.5	6.0	M 8	0.24
UFL 006	30	112	85	9.0	9.0	18.0	13.0	70	29.0	26.5	6.5	M10	0.35
UFL 007	35	122	95	10.0	10.0	20.0	13.0	80	32.5	29.5	7.0	M10	0.50

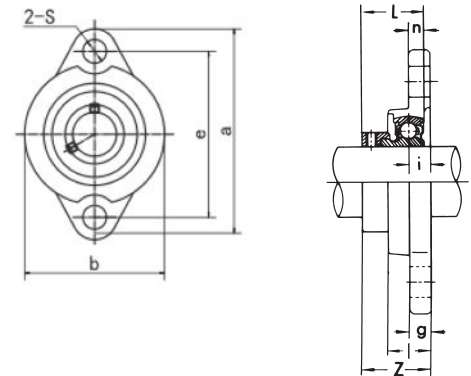
STAINLESS SILVER version

**Pillow block**  
**MUP 000**  
**Eccentric collar locking**  
**Insert MU 000+ER**



Designation	Shaft diameter mm	h mm	a mm	e mm	b mm	s mm	g mm	w mm	L mm	n mm	Bolt size	Weight kg
MUP 000	10	18	67	53	16	7	6	35	17.5	4.0	M 6	0.11
MUP 001	12	19	71	56	16	7	6	38	17.5	4.0	M 6	0.14
MUP 002	15	22	80	63	16	7	7	43	18.5	4.5	M 6	0.17
MUP 003	17	24	85	67	18	7	7	47	20.5	5.0	M 6	0.22
MUP 004	20	28	100	80	20	10	9	55	24.5	6.0	M 8	0.34
MUP 005	25	32	112	90	20	10	10	62	25.5	6.0	M 8	0.46
MUP 006	30	36	132	106	26	13	11	70	26.5	6.5	M10	0.66

**Two-bolt-flange**  
**MUFL 000**  
**Eccentric collar locking**  
**Insert MU 000+ER**

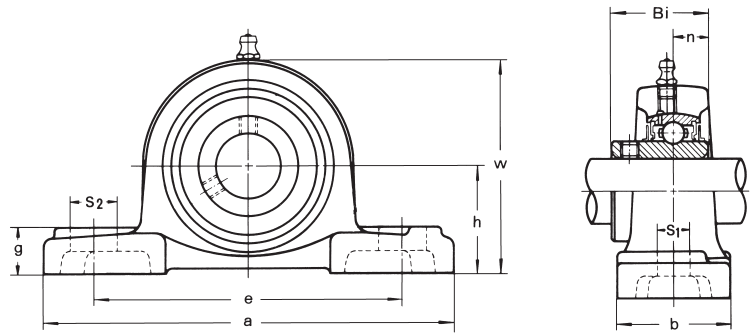


Designation	Shaft diameter mm	a mm	e mm	i mm	g mm	l mm	s mm	b mm	Z mm	L mm	n mm	Bolt size	Weight kg
MUFL 000	10	60	45	5.5	5.5	11.5	7	36	19.0	17.5	4.0	M 6	0.09
MUFL 001	12	63	48	5.5	5.5	11.5	7	38	19.0	17.5	4.0	M 6	0.11
MUFL 002	15	67	53	6.5	6.5	13	7	42	20.5	18.5	4.5	M 6	0.14
MUFL 003	17	71	56	7.0	7.0	14	7	46	22.5	20.5	5.0	M 6	0.18
MUFL 004	20	90	71	8.0	8.0	16	10	55	26.5	24.5	6.0	M 8	0.28
MUFL 005	25	95	75	8.0	8.0	16	10	60	27.5	25.5	6.0	M 8	0.35
MUFL 006	30	112	85	9.0	9.0	18	13	70	29.0	26.5	6.5	M10	0.40



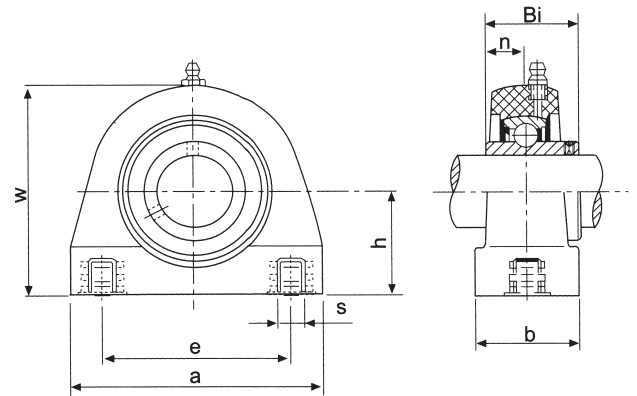
PLASTIC version

**Pillow block  
PUCP 200  
Set-screw locking  
Insert MUC 200**



Designation	Shaft diameter mm	h mm	a mm	e mm	b mm	s <sub>1</sub> mm	s <sub>2</sub> mm	g mm	w mm	Bi mm	n mm	Bolt size	Weight kg
PUCP 204	20	33.3	127.0	95	38	11	14	14.2	65.5	31.0	12.7	M10	0.29
PUCP 205	25	36.5	140.5	105	38	11	14	14.5	71.0	34.0	14.3	M10	0.34
PUCP 206	30	42.9	163.0	119	46	14	18	17.8	84.0	38.1	15.9	M10	0.54
PUCP 207	35	47.6	168.0	127	48	14	18	18.0	94.5	42.9	17.5	M12	0.78
PUCP 208	40	49.2	184.0	137	54	14	18	19.5	99.0	49.2	19.0	M12	0.97
PUCP 209	45	54.0	192.0	146	54	17	20	23.0	106.0	49.2	19.0	M16	1.09
PUCP 210	50	57.2	206.0	159	60	17	20	23.0	114.0	51.6	19.0	M16	1.20

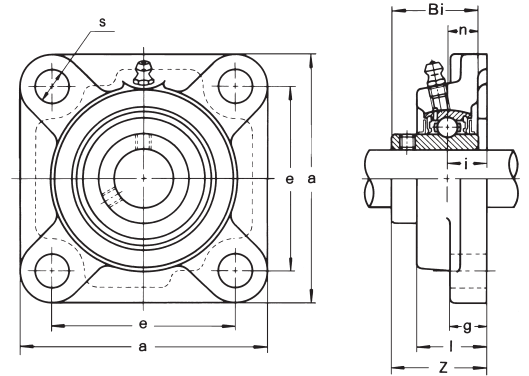
**Pillow block  
PUCPA 200  
Set-screw locking  
Insert MUC 200**



Designation	Shaft diameter mm	h mm	a mm	e mm	b mm	w mm	Bi mm	n mm	Bolt size	Weight kg
PUCPA 204	20	30.2	76	52	40	62	31.0	12.7	M8	0.55
PUCPA 205	25	36.5	84	56	38	72	34.1	14.3	M10	0.61
PUCPA 206	30	42.9	94	66	50	84	38.1	15.9	M10	0.89
PUCPA 207	35	47.6	110	80	55	95	42.9	17.5	M10	1.31
PUCPA 208	40	49.2	116	84	58	100	49.2	19.0	M12	1.56

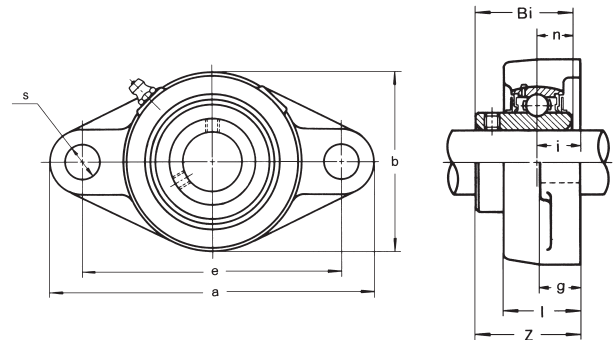


**Square flange  
PUCF 200  
Set-screw locking  
Insert MUC 200**



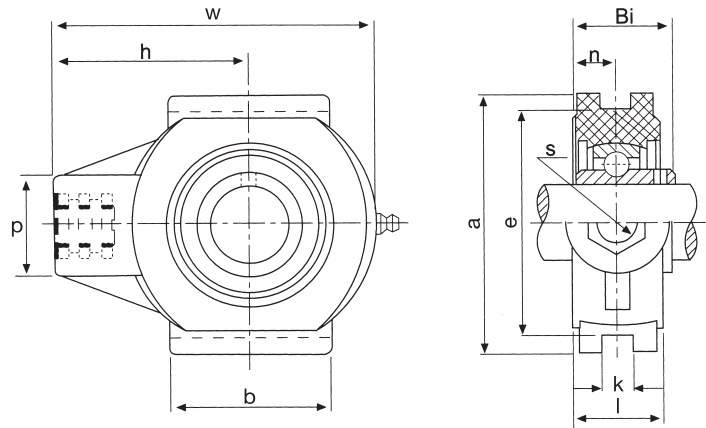
Designation	Shaft diameter mm	a mm	e mm	i mm	g mm	l mm	s mm	Z mm	Bi mm	n mm	Bolt size	Weight kg
PUCF 204	20	86	63.5	18.0	13.4	27.8	11	36.3	31.0	12.7	M10	0.29
PUCF 205	25	95	70.0	17.0	14.3	28.0	11	36.7	34.1	14.3	M10	0.36
PUCF 206	30	107	83.0	19.2	14.3	31.5	11	41.4	38.1	15.9	M10	0.50
PUCF 207	35	118	92.0	21.5	15.5	34.8	13	46.9	42.9	17.5	M12	0.74
PUCF 208	40	130	102.0	23.0	17.0	37.5	14	53.2	49.2	19.0	M12	0.97
PUCF 209	45	137	105.0	24.0	19.0	41.0	17	54.2	49.2	19.0	M16	1.10
PUCF 210	50	143	111.0	25.0	21.0	43.0	17	57.6	51.6	19.0	M16	1.25

**Two-bolt flange  
PUCFL 200  
Set-screw locking  
Insert MUC 200**



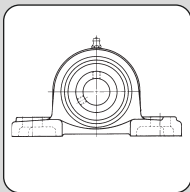
Designation	Shaft diameter mm	a mm	e mm	i mm	g mm	l mm	s mm	b mm	Z mm	Bi mm	n mm	Bolt size	Weight kg
PUCFL 204	20	130.0	90.0	15.4	11.4	26.5	11	70.0	33.7	31.0	12.7	M10	0.24
PUCFL 205	25	131.0	99.0	17.0	13.5	29.1	11	69.5	36.7	34.0	14.3	M10	0.30
PUCFL 206	30	148.0	117.0	19.0	13.3	30.5	11	80.0	41.2	38.1	15.9	M10	0.45
PUCFL 207	35	164.0	130.0	18.0	16.1	32.8	13	90.0	43.4	42.9	17.5	M12	0.66
PUCFL 208	40	176.0	144.0	21.5	20.0	37.5	14	100.0	51.7	49.2	19.0	M12	0.87
PUCFL 209	45	188.5	148.5	24.0	21.0	41.0	17	108.0	54.2	49.2	19.0	M16	1.00
PUCFL 210	50	197.0	157.0	25.0	21.0	43.0	17	115.0	57.6	51.6	19.0	M16	1.20

Take-up  
PUCT 200  
Set-screw locking  
Insert MUC 200

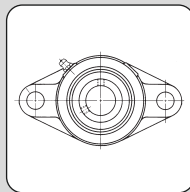


Designation	Shaft diameter mm	p mm	s mm	b mm	k mm	e mm	a mm	w mm	l mm	h mm	Bi mm	n mm	Weight kg
PUCT 204	20	36	M16	47	12	76	88	99	27.5	64	31.0	12.7	0.35
PUCT 205	25	36	M16	47	12	76	88	99	27.5	64	34.1	14.3	0.40
PUCT 206	30	40	M16	63	12	89	102	125	34.5	76	38.1	15.9	0.55
PUCT 207	35	40	M16	63	12	89	102	125	34.5	76	42.9	17.5	0.80
PUCT 208	40	40	M16	80	16	102	114	140	34.5	85	49.2	19.0	0.95

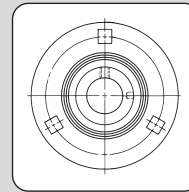
Inserts	P. 4-3
Cast iron version	P. 4-11
Pillow blocks	P. 4-11
Square flange units	P. 4-14
Flange cartridge units	P. 4-16
Two-bolt flange units	P. 4-18
Take-up units	P. 4-19
Cartridge units	P. 4-21
Stainless steel version	P. 4-22
Pressed steel version	P. 4-24
Silver version	P. 4-26
Stainless silver version	P. 4-28
Plastic version	P. 4-29



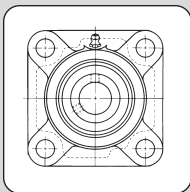
Cast iron version  
Stainless steel version  
Pressed steel version  
Silver version  
Stainless silver version  
Plastic version



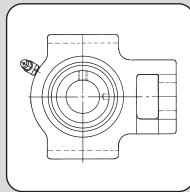
Cast iron version  
Stainless steel version  
Pressed steel version  
Silver version  
Stainless silver version  
Plastic version



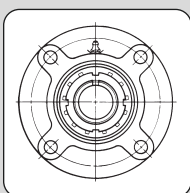
Pressed steel version



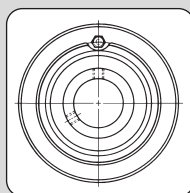
Cast iron version  
Stainless steel version  
Plastic version



Cast iron version  
Stainless steel version



Cast iron version



Cast iron version

## Selection of shaft

For the units with cylindrical bore (with set-screws or eccentric locking collar) clearance fit is usually favoured for mounting the units on the shaft.

set-screw tightening torque for inserts			Nm
UC 201 - 206	UC 305 - 306	MUC 204 - 206	3.80
UC 207 - 209	UC 307	MUC 207 - 209	8.30
UC 210 - 212	UC 308 - 309	MUC 210	16.00
UC 213 - 218	UC 310 - 314		25.00
	UC 315 - 316		30.00
	UC 317 - 318		58.00

set-screw tightening torque for inserts			Nm
		K 000 - 001	0.55
		K 002 - 003	1.45
	B 201 - 204	K 004 - 006	2.50
KH 201 - 205	B 205 - 206		3.90
	B 207		8.50
KH 206 - 210			11.00

## Regreasing intervals

The usable life of the grease is influenced by many factors. The regreasing intervals in our table thus can only be seen as very rough estimates.

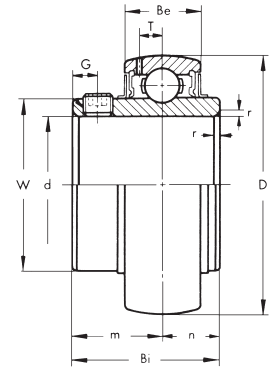
**Experience with comparable bearings or ones already used is therefore very important as not all operating conditions and influential factors that affect the service life of a lubricant – and hence also the bearing – are known or determinable in many cases.**

## Greasing interval

Operating temperature of bearing °C	Greasing interval		
	Environmental condition		
	Clean	Dirty	Very dirty heavily humid
50	3 years	6 months	3 months
70	1 year	2 months	1 month
100	3 months	2 weeks	1 week

**INSERTS**

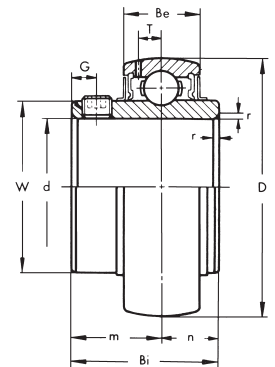
**Ball bearing**  
**UC 200**  
**Normal duty**  
**Set-screw locking**



Designation	d	D	Bi	Be	r	n	m	G	ds	T	W	Load rating dynamic C kN	static C <sub>0</sub> kN	Weight kg
	mm	mm	mm	mm	mm	mm	mm	mm	mm	mm	mm			
UC 201	12	47	31.0	17	1.0	12.7	18.3	4.5	M 6 x 0.75	4.5	29.0	13.1	6.3	0.21
UC 202	15	47	31.0	17	1.0	12.7	18.3	4.5	M 6 x 0.75	4.5	29.0	13.1	6.3	0.19
UC 203	17	47	31.0	17	1.0	12.7	18.3	4.5	M 6 x 0.75	4.5	29.0	13.1	6.3	0.18
UC 204	20	47	31.0	17	1.5	12.7	18.3	4.5	M 6 x 0.75	4.5	29.0	13.1	6.3	0.16
UC 205	25	52	34.0	17	1.5	14.3	19.7	5.0	M 6 x 0.75	4.5	34.0	14.3	7.1	0.19
UC 206	30	62	38.1	19	1.5	15.9	22.2	5.0	M 6 x 0.75	5.1	40.5	20.0	10.2	0.31
UC 207	35	72	42.9	20	2.0	17.5	25.4	6.0	M 8 x 1.00	5.8	48.0	26.4	14.0	0.48
UC 208	40	80	49.2	21	2.0	19.0	30.2	8.0	M 8 x 1.00	6.2	53.0	29.9	16.0	0.62
UC 209	45	85	49.2	22	2.0	19.0	30.2	8.0	M 8 x 1.00	6.5	57.3	33.5	18.1	0.67
UC 210	50	90	51.6	23	2.0	19.0	32.6	9.0	M10 x 1.25	6.5	63.0	36.0	20.1	0.78
UC 211	55	100	55.6	24	2.5	22.2	33.4	9.0	M10 x 1.25	7.3	70.0	44.0	25.5	1.03
UC 212	60	110	65.1	26	2.5	25.4	39.7	10.0	M10 x 1.25	7.7	77.0	53.5	31.5	1.45
UC 213	65	120	65.1	27	2.5	25.4	39.7	10.0	M10 x 1.25	8.3	82.1	58.5	35.0	1.71
UC 214	70	125	74.6	29	2.5	30.2	44.4	12.0	M12 x 1.50	8.7	87.0	63.5	38.0	2.06
UC 215	75	130	77.8	30	2.5	33.3	44.5	12.0	M12 x 1.50	9.2	91.5	67.5	42.0	2.22
UC 216	80	140	82.6	32	3.0	33.3	49.3	12.0	M12 x 1.50	9.6	98.5	74.0	45.5	2.82
UC 217	85	150	85.7	34	3.0	34.1	51.6	12.0	M12 x 1.50	10.5	105.0	85.0	55.0	3.38
UC 218	90	160	96.0	36	3.0	39.7	56.3	12.0	M12 x 1.50	11.1	111.5	97.5	63.0	4.34

**ASAHI**

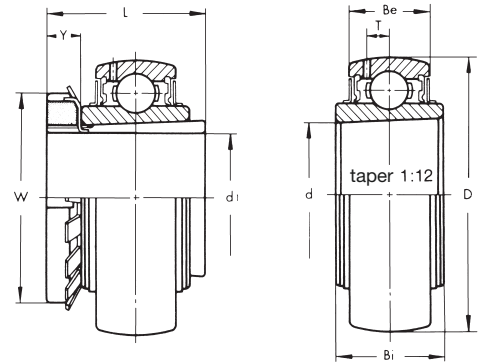

Ball bearing  
**UC 300**  
 Heavy duty  
 Set-screw locking



Designation	d	D	Bi	Be	r	n	m	G	ds	T	W	Load rating		Weight kg
	mm	mm	mm	mm	mm	mm	mm	mm	mm	mm	mm	dynamic C kN	static C <sub>0</sub> kN	
UC 305	25	62	38	21	2.0	15	23	6	M 6 x 0.75	6.1	36.9	21.7	10.9	0.44
UC 306	30	72	43	23	2.0	17	26	6	M 6 x 0.75	6.7	45.0	27.3	14.2	0.56
UC 307	35	80	48	25	2.5	19	29	8	M 8 x 1.00	7.4	50.5	34.0	18.2	0.71
UC 308	40	90	52	27	2.5	19	33	10	M10 x 1.25	8.2	56.0	41.5	22.7	1.00
UC 309	45	100	57	30	2.5	22	35	10	M10 x 1.25	9.0	63.0	52.5	30.5	1.28
UC 310	50	110	61	32	3.0	22	39	12	M12 x 1.5	10.0	70.5	63.0	36.5	1.65
UC 311	55	120	66	34	3.0	25	41	12	M12 x 1.5	10.7	76.5	73.0	42.5	2.07
UC 312	60	130	71	36	3.5	26	45	12	M12 x 1.5	11.5	82.5	83.0	49.0	2.59
UC 313	65	140	75	38	3.5	30	45	12	M12 x 1.5	12.2	88.5	94.5	56.5	3.15
UC 314	70	150	78	40	3.5	33	45	12	M12 x 1.5	13.0	95.2	106.0	64.5	3.83
UC 315	75	160	82	42	3.5	32	50	14	M14 x 1.5	13.8	101.5	116.0	72.0	4.59
UC 316	80	170	86	44	3.5	34	52	14	M14 x 1.5	14.5	108.0	125.0	81.5	5.40
UC 317	85	180	96	46	4.0	40	56	16	M16 x 1.5	15.0	114.5	135.0	91.0	6.58
UC 318	90	190	96	48	4.0	40	56	16	M16 x 1.5	15.9	121.0	146.0	101.0	7.34
UC 319	95	200	103	50	4.0	41	62	16	M16 x 1.5	16.7	127.5	156.0	111.0	8.70
UC 320	100	215	108	54	4.0	42	66	18	M18 x 1.5	18.0	135.5	177.0	133.0	10.80
UC 322	110	240	117	60	4.0	46	71	18	M18 x 1.5	21.0	152.0	209.0	170.0	14.30
UC 324	120	260	126	64	4.0	51	75	18	M18 x 1.5	22.0	165.0	211.0	170.0	18.50
UC 326	130	280	135	68	5.0	54	81	20	M20 x 1.5	23.0	178.0	234.0	196.0	23.00
UC 328	140	300	145	73	5.0	59	86	20	M20 x 1.5	25.0	191.5	260.0	224.0	28.50



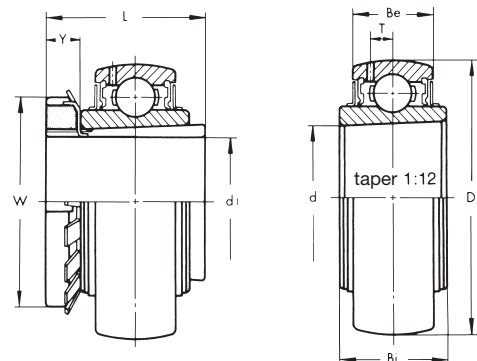
**Ball bearing**  
**UK 200+H**  
**Normal duty**  
**Adapter sleeve locking**



Designation	$d_1$	D	L	d	Bi	Be	T	Y	W	Load rating dynamic C kN	static C <sub>0</sub> kN	Weight kg
	mm	mm	mm	mm	mm	mm	mm	mm	mm			
UK 205+H2305	20	52	35	25	23	17	4.5	8	38	14.3	7.1	0.24
UK 206+H2306	25	62	38	30	26	19	5.1	8	45	20.0	10.2	0.40
UK 207+H2307	30	72	43	35	27	20	5.8	9	52	26.4	14.0	0.53
UK 208+H2308	35	80	46	40	29	21	6.2	10	58	29.9	16.0	0.69
UK 209+H2309	40	85	50	45	30	22	6.5	11	65	33.5	18.1	0.77
UK 210+H2310	45	90	55	50	31	23	6.5	12	70	36.0	20.1	0.93
UK 211+H2311	50	100	59	55	33	24	7.3	12	75	44.0	25.5	1.16
UK 212+H2312	55	110	62	60	36	26	7.7	13	80	53.5	31.5	1.47
UK 213+H2313	60	120	65	65	38	27	8.3	14	85	58.5	35.0	1.82
UK 215+H2315	65	130	73	75	41	30	9.2	15	98	67.5	42.0	2.59
UK 216+H2316	70	140	78	80	44	32	9.6	17	105	74.0	45.5	3.27
UK 217+H2317	75	150	82	85	46	34	10.5	18	110	85.0	55.0	3.92
UK 218+H2318	80	160	86	90	49	36	11.1	18	120	97.5	63.0	4.68

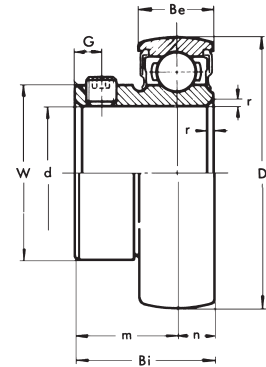


**Ball bearing  
UK 300+H  
Heavy duty  
Adapter sleeve locking**



Designation	d <sub>1</sub>	D	L	d	Bi	Be	T	Y	W	Load rating dynamic C	static C <sub>0</sub>	Weight
	mm	mm	mm	mm	mm	mm	mm	mm	mm	kN	kN	kg
UK 305+H2305	20	62	35	25	26	21	6.1	8	38	21.7	10.9	0.48
UK 306+H2306	25	72	38	30	29	23	6.7	8	45	27.3	14.2	0.59
UK 307+H2307	30	80	43	35	31	25	7.4	9	52	34.0	18.2	0.74
UK 308+H2308	35	90	46	40	34	27	8.2	10	58	41.5	22.7	1.01
UK 309+H2309	40	100	50	45	37	30	9.0	11	65	52.2	30.5	1.31
UK 310+H2310	45	110	55	50	40	32	10.0	12	70	63.0	36.5	1.68
UK 311+H2311	50	120	59	55	43	34	10.7	12	75	73.0	42.5	2.06
UK 312+H2312	55	130	62	60	46	36	11.5	13	80	83.0	49.0	2.53
UK 313+H2313	60	140	65	65	48	38	12.2	14	85	94.5	56.5	3.07
UK 315+H2315	65	160	73	75	54	42	13.8	15	98	116.0	72.0	4.74
UK 316+H2316	70	170	78	80	57	44	14.5	17	105	125.0	81.5	5.62
UK 317+H2317	75	180	82	85	60	46	15.0	18	110	135.0	91.0	6.56
UK 318+H2318	80	190	86	90	63	48	15.9	18	120	146.0	101.0	7.52
UK 319+H2319	85	200	90	95	66	50	16.7	19	125	156.0	111.0	8.72
UK 320+H2320	90	215	97	100	72	54	18.0	20	130	177.0	133.0	10.80
UK 322+H2322	100	240	105	110	80	60	21.0	21	145	209.0	170.0	14.40
UK 324+H2324	110	260	112	120	86	64	22.0	22	155	211.0	170.0	18.00
UK 326+H2326	115	280	121	130	92	68	23.0	23	165	234.0	196.0	23.30
UK 328+H2328	125	300	131	140	98	73	25.0	24	180	260.0	224.0	28.80

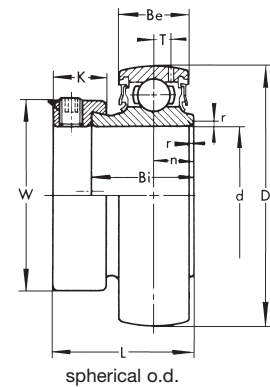
**Ball bearing**  
**B 200**  
**Light duty**  
**Set-screw locking**



Designation	d	D	Bi	Be	r	n	m	G	ds	W	Load rating		Weight
	mm	mm	mm	mm	mm	mm	mm	mm	mm	mm	dynamic C kN	static C <sub>0</sub> kN	
B 201	12	40	22.0	12	1.0	6.0	16.0	4.0	M5 x 0.80	24.7	9.75	4.55	0.10
B 202	15	40	22.0	12	1.0	6.0	16.0	4.0	M5 x 0.80	24.7	9.75	4.55	0.09
B 203	17	40	22.0	12	1.0	6.0	16.0	4.0	M5 x 0.80	24.7	9.75	4.55	0.07
B 204	20	47	24.7	14	1.5	7.0	17.7	4.5	M5 x 0.80	29.0	13.10	6.30	0.12
B 205	25	52	27.7	15	1.5	7.5	20.2	5.0	M6 x 0.75	34.0	14.30	7.10	0.16
B 206	30	62	30.3	16	1.5	8.0	22.3	5.0	M6 x 0.75	40.5	20.00	10.20	0.25
B 207	35	72	32.9	17	2.0	8.5	24.4	6.0	M8 x 1.00	48.0	26.40	14.00	0.38

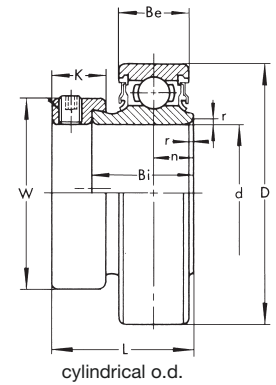
**ASAHI**


**Ball bearing**  
**KH 200+ER**  
**Light duty**  
**Spherical outer ring**  
**Eccentric collar locking**



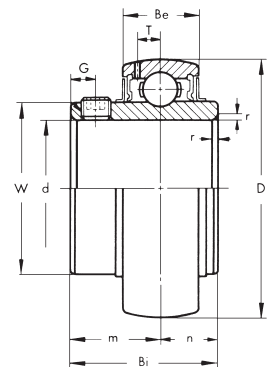
Designation	d	D	L	Bi	Be	r	T	n	W	K	ds	Load rating		Weight
	mm	mm	mm	mm	mm	mm	mm	mm	mm	mm	mm	dynamic C kN	static C <sub>0</sub> kN	
KH 201+ER	12	40	28.6	19.1	12	1.0	3.6	6.5	28.6	13.5	M 6 x 0.75	9.75	4.60	0.12
KH 202+ER	15	40	28.6	19.1	12	1.0	3.6	6.5	28.6	13.5	M 6 x 0.75	9.75	4.60	0.11
KH 203+ER	17	40	28.6	19.1	12	1.0	3.6	6.5	28.6	13.5	M 6 x 0.75	9.75	4.60	0.10
KH 204+ER	20	47	31.0	21.5	14	1.5	4.1	7.5	33.3	13.5	M 6 x 0.75	13.10	6.35	0.16
KH 205+ER	25	52	31.0	21.5	15	1.5	4.1	7.5	38.1	13.5	M 6 x 0.75	14.30	7.30	0.20
KH 206+ER	30	62	35.7	23.8	16	1.5	4.9	9.0	44.5	15.9	M 8 x 1.00	20.00	10.50	0.31
KH 207+ER	35	72	38.9	25.4	17	2.0	5.4	9.5	55.6	17.5	M10 x 1.25	26.40	14.30	0.49
KH 208+ER	40	80	43.7	30.2	18	2.0	5.9	11.0	60.3	18.3	M10 x 1.25	29.90	16.50	0.62
KH 209+ER	45	85	43.7	30.2	19	2.0	6.2	11.0	63.5	18.3	M10 x 1.25	33.50	18.90	0.65
KH 210+ER	50	90	43.7	30.2	20	2.0	6.5	11.0	69.9	18.3	M10 x 1.25	36.00	21.10	0.95
KH 211+ER	55	100	48.4	32.5	21	2.5	7.0	12.0	76.2	20.7	M12 x 1.50	44.00	26.70	0.94

**Ball bearing**  
**KHR 200+ER**  
**Light duty**  
**Cylindrical outer ring**  
**Eccentric collar locking**



Designation	d	D	L	Bi	Be	r	T	n	W	K	ds	Load rating		Weight
												dynamic C	static C <sub>0</sub>	
	mm	mm	mm	mm	mm	mm	mm	mm	mm	mm	mm	kN	kN	kg
KHR 201AE	12	40	28.6	19.1	12	1.0	3.6	6.5	28.6	13.5	M 6 x 0.75	9.75	4.60	0.12
KHR 202AE	15	40	28.6	19.1	12	1.0	3.6	6.5	28.6	13.5	M 6 x 0.75	9.75	4.60	0.11
KHR 203AE	17	40	28.6	19.1	12	1.0	3.6	6.5	28.6	13.5	M 6 x 0.75	9.75	4.60	0.10
KHR 204AE	20	47	31.0	21.5	14	1.5	4.1	7.5	33.3	13.5	M 6 x 0.75	13.10	6.35	0.16
KHR 205AE	25	52	31.0	21.5	15	1.5	4.1	7.5	38.1	13.5	M 6 x 0.75	14.30	7.30	0.20
KHR 206AE	30	62	35.7	23.8	16	1.5	4.9	9.0	44.5	15.9	M 8 x 1	20.00	10.50	0.31
KHR 207AE	35	72	38.9	25.4	17	2.0	5.4	9.5	55.6	17.5	M10 x 1.25	26.40	14.30	0.49
KHR 208AE	40	80	43.7	30.2	18	2.0	5.9	11.0	60.3	18.3	M10 x 1.25	29.90	16.50	0.62
KHR 209BE	45	85	43.7	30.2	19	2.0	6.2	11.0	63.5	18.3	M10 x 1.25	33.50	18.90	0.65
KHR 210BE	50	90	43.7	30.2	20	2.0	6.5	11.0	69.9	18.3	M10 x 1.25	36.00	21.10	0.95
KHR 211BE	55	100	48.4	32.5	21	2.5	7.0	12.0	76.2	20.7	M12 x 1.5	44.00	26.70	0.94

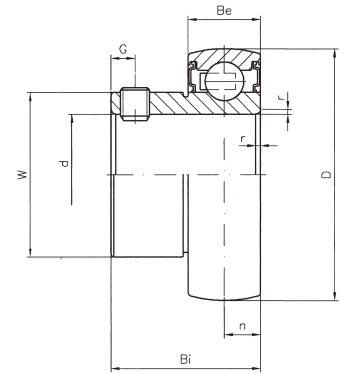
**Ball bearing**  
**MUC 200**  
**Normal duty in stainless steel**  
**Set-screw locking**



Designation	d	D	Bi	Be	r	n	m	G	ds	T	W	Load rating		Weight
												dynamic C	static C <sub>0</sub>	
	mm	mm	mm	mm	mm	mm	mm	mm	mm	mm	mm	kN	kN	kg
MUC 204	20	47	31.0	17	1.5	12.7	18.3	4.5	M 6x1	4.5	29.0	10900	5300	0.16
MUC 205	25	52	34.1	17	1.5	14.3	19.8	5.0	M 6x1	4.5	34.0	11900	6300	0.19
MUC 206	30	62	38.1	19	1.5	15.9	22.2	5.0	M 6x1	5.1	40.5	16700	9050	0.31
MUC 207	35	72	42.9	20	2.0	17.5	25.4	6.0	M 8x1	5.8	48.0	22000	12300	0.48
MUC 208	40	80	49.2	21	2.0	19.0	30.2	8.0	M 8x1	6.2	53.0	24900	14300	0.62
MUC 209	45	85	49.2	22	2.0	19.0	30.2	8.0	M 8x1	6.5	57.3	28100	16400	0.67
MUC 210	50	90	51.6	23	2.0	19.0	32.6	9.0	M10x1.25	6.5	63.0	30200	18600	0.78



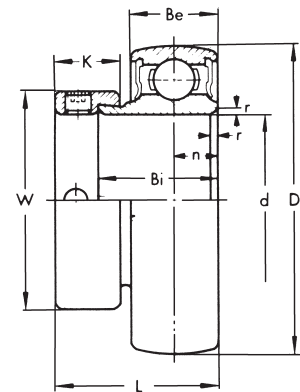
**Ball bearing**  
**K 000**  
Normal version for silver-series  
Set-screw locking



Designation	d	D	Bi	Be	r	n	G	W	Load ratings		Weight
									dynamic C	static C <sub>0</sub>	
	mm	mm	mm	mm	mm	mm	mm	mm	kN	kN	kg
K000	10	26	14.0	8	0.5	4.0	3.0	14.75	4.70	2.00	0.05
K001	12	28	14.5	8	0.5	4.0	3.0	17.35	5.20	2.45	0.06
K002	15	32	16.5	9	0.5	4.5	3.5	20.02	5.70	2.90	0.10
K003	17	35	17.5	10	0.5	5.0	3.5	23.10	6.10	3.35	0.11
K004	20	42	21.0	12	1.0	6.0	4.0	27.00	9.55	5.15	0.19
K005	25	47	22.5	12	1.0	6.0	4.5	31.70	10.30	5.95	0.22
K006	30	55	24.5	13	1.5	6.5	5.0	38.00	13.50	8.45	0.32

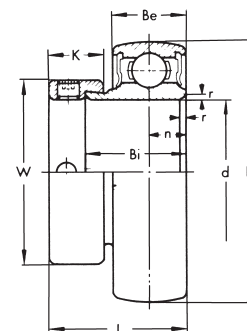


**Ball bearing**  
**U 000+ER**  
Special version for silver series  
Eccentric collar locking



Designation	d	D	L	Bi	Be	r	n	k	W	Load ratings		Weight
										dynamic C	static C <sub>0</sub>	
	mm	mm	mm	mm	mm	mm	mm	mm	mm	kN	kN	kg
U000+ER	10	26	17.5	11.0	8	0.5	4.0	8.5	17	4.6	1.98	0.030
U001+ER	12	28	17.5	11.0	8	0.5	4.0	8.5	19	5.1	2.27	0.036
U002+ER	15	32	18.5	12.0	9	0.5	4.5	8.5	22	5.6	2.55	0.050
U003+ER	17	35	20.5	13.5	10	0.5	5.0	9.5	25	6.0	2.84	0.062
U004+ER	20	42	24.5	16.5	12	1.0	6.0	11.0	30	9.35	4.55	0.104
U005+ER	25	47	25.5	17.5	12	1.0	6.0	12.0	36	10.1	5.05	0.133
U006+ER	30	55	26.5	18.5	13	1.5	6.5	12.0	42	13.2	7.00	0.186

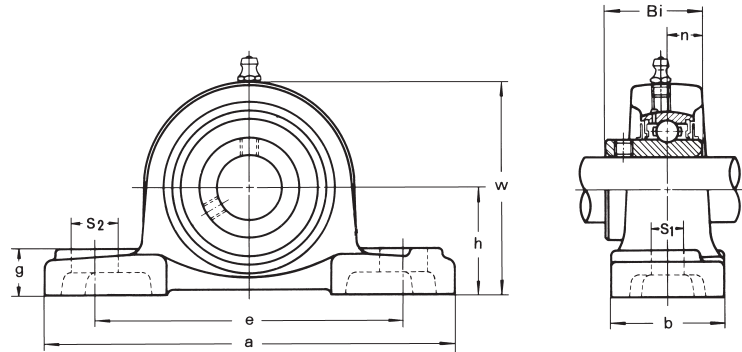
**Ball bearing**  
**MU 000+ER**  
**Special version for silver-stainless-steel-series made of stainless steel**  
**Eccentric collar locking**



Designation	d	D	L	Bi	Be	r	n	k	W	Load ratings		Weight kg
	mm	mm	mm	mm	mm	mm	mm	mm	mm	dynamic C kN	static C <sub>0</sub> kN	
MU000+ER	10	26	17.5	11.0	8	0.5	4.0	8.5	17	4.00	1.60	0.030
MU001+ER	12	28	17.5	11.0	8	0.5	4.0	8.5	19	4.40	1.95	0.036
MU002+ER	15	32	18.5	12.0	9	0.5	4.5	8.5	22	4.85	2.30	0.050
MU003+ER	17	35	20.5	13.5	10	0.5	5.0	9.5	25	5.20	2.70	0.062
MU004+ER	20	42	24.5	16.5	12	1.0	6.0	11.0	30	8.10	4.10	0.104
MU005+ER	25	47	25.5	17.5	12	1.0	6.0	12.0	36	8.75	4.75	0.133
MU006+ER	30	55	26.5	18.5	13	1.5	6.5	12.0	42	11.50	6.75	0.186

## CAST IRON version pillow blocks

**Pillow block**  
**UCP 200**  
**Normal duty**  
**Set-screw locking**  
**Ball bearing UC 200**



Designation	Shaft diameter mm	h mm	a mm	e mm	b mm	s <sub>1</sub> mm	s <sub>2</sub> mm	g mm	w mm	Bi mm	n mm	Bolt size	Weight kg
UCP 201	12	30.2	127	95	38	13	19	15	62	31.0	12.7	M10	0.65
UCP 202	15	30.2	127	95	38	13	19	15	62	31.0	12.7	M10	0.63
UCP 203	17	30.2	127	95	38	13	19	15	62	31.0	12.7	M10	0.62
UCP 204	20	33.3	127	95	38	13	19	15	65	31.0	12.7	M10	0.65
UCP 205	25	36.5	140	105	38	13	16	16	70	34.0	14.3	M10	0.79
UCP 206	30	42.9	165	121	48	17	21	18	83	38.1	15.9	M14	1.30
UCP 207	35	47.6	167	127	48	17	21	19	94	42.9	17.5	M14	1.60
UCP 208	40	49.2	184	137	54	17	25	19	100	49.2	19.0	M14	2.00
UCP 209	45	54.0	190	146	54	17	22	20	108	49.2	19.0	M14	2.30
UCP 210	50	57.2	206	159	60	20	25	22	114	51.6	19.0	M16	2.70
UCP 211	55	63.5	219	171	60	20	25	22	126	55.6	22.2	M16	3.30
UCP 212	60	69.8	241	184	70	20	25	25	138	65.1	25.4	M16	4.70
UCP 213	65	76.2	265	203	70	25	29	27	150	65.1	25.4	M20	5.60
UCP 214	70	79.4	266	210	72	25	31	27	156	74.6	30.2	M20	7.30
UCP 215	75	82.6	275	217	74	25	31	28	163	77.8	33.3	M20	7.90
UCP 216	80	88.9	292	232	78	25	31	30	175	82.6	33.3	M20	10.00
UCP 217	85	95.2	310	247	83	25	31	32	187	85.7	34.1	M20	12.20
UCP 218	90	101.6	327	262	88	27	33	34	200	96.0	39.7	M22	14.70

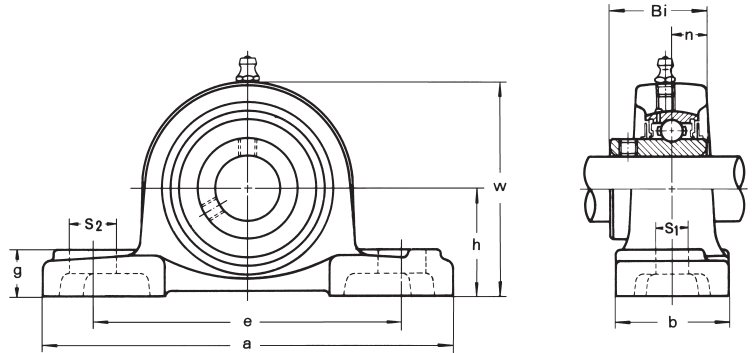
Available on request with inserts of series UK and KH. Covers are possible as special version.

The conventional housing tolerances are valid for all shown housing dimensions.

All cast housing tolerances are nominal sizes and the conventional cast tolerances must be added.



**Pillow block  
UCP 300  
Heavy duty  
Set-screw locking  
Ball bearing UC 300**



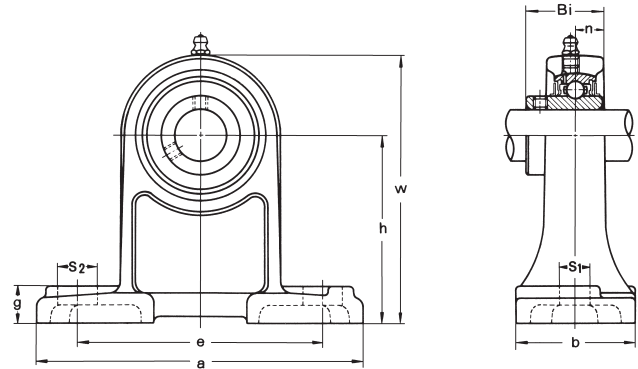
Designation	Shaft diameter mm	h mm	a mm	e mm	b mm	s <sub>1</sub> mm	s <sub>2</sub> mm	g mm	w mm	Bi mm	n mm	Bolt size	Weight kg
UCP 305	25	45	175	132	45	17	20	16	83	38	15	M14	1.6
UCP 306	30	50	180	140	50	17	20	19	94	43	17	M14	1.9
UCP 307	35	56	210	160	56	17	25	21	105	48	19	M14	2.7
UCP 308	40	60	220	170	60	17	27	23	116	52	19	M14	3.3
UCP 309	45	67	245	190	67	20	30	25	128	57	22	M16	4.5
UCP 310	50	75	275	212	75	20	35	28	143	61	22	M16	6.2
UCP 311	55	80	310	236	80	20	38	31	154	66	25	M16	7.7
UCP 312	60	85	330	250	85	25	38	33	165	71	26	M20	9.3
UCP 313	65	90	340	260	90	25	38	36	174	75	30	M20	9.8
UCP 314	70	95	360	280	90	27	40	40	186	78	33	M22	11.4
UCP 315	75	100	380	290	100	27	40	40	167	82	32	M22	13.6
UCP 316	80	106	400	300	110	27	40	45	209	86	34	M22	16.4
UCP 317	85	112	420	320	110	33	45	45	221	96	40	M27	18.6
UCP 318	90	118	430	330	110	33	45	50	233	96	40	M27	20.9
UCP 319	95	125	470	360	120	36	50	50	250	103	41	M30	26.5
UCP 320	100	140	490	380	120	36	50	55	275	108	42	M30	34.3
UCP 322	110	150	520	400	140	40	55	60	295	117	46	M33	42.5
UCP 324	120	160	570	450	140	40	55	70	321	126	51	M33	53.5
UCP 326	130	180	600	480	140	40	55	80	354	135	54	M33	72.1
UCP 328	140	200	620	500	140	40	55	80	388	145	59	M33	89.1

Available on request with inserts of series UK and KH. Covers are possible as special version.

The conventional housing tolerances are valid for all shown housing dimensions.  
All cast housing tolerances are nominal sizes and the conventional cast tolerances must be added.



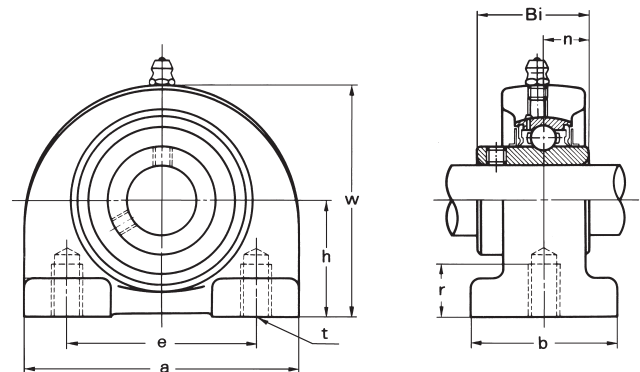
**Pillow block**  
**UCPH 200**  
 Normal duty  
 Set-screw locking  
 Ball bearing UC 200



Designation	Shaft diameter mm	h mm	a mm	e mm	b mm	s <sub>1</sub> mm	s <sub>2</sub> mm	g mm	w mm	Bi mm	n mm	Bolt size	Weight kg
UCPH 201	12	70	127	95	40	13	19	15	101	31.0	12.7	M10	1.00
UCPH 202	15	70	127	95	40	13	19	15	101	31.0	12.7	M10	0.99
UCPH 203	17	70	127	95	40	13	19	15	101	31.0	12.7	M10	0.98
UCPH 204	20	70	127	95	40	13	19	15	101	31.0	12.7	M10	0.96
UCPH 205	25	80	140	105	50	13	19	16	114	34.0	14.3	M10	1.20
UCPH 206	30	90	165	121	50	17	21	18	130	38.1	15.9	M14	1.90
UCPH 207	35	95	167	127	60	17	21	19	140	42.9	17.5	M14	2.40
UCPH 208	40	100	184	137	70	17	25	19	149	49.2	19.0	M14	2.80
UCPH 209	45	105	190	146	70	17	25	20	157	49.2	19.0	M14	3.20
UCPH 210	50	110	206	159	70	20	25	22	165	51.6	19.0	M16	3.60

**ASAHI**


**Pillow block**  
**UCPA 200**  
 Normal duty  
 Set-screw locking  
 Ball bearing UC 200



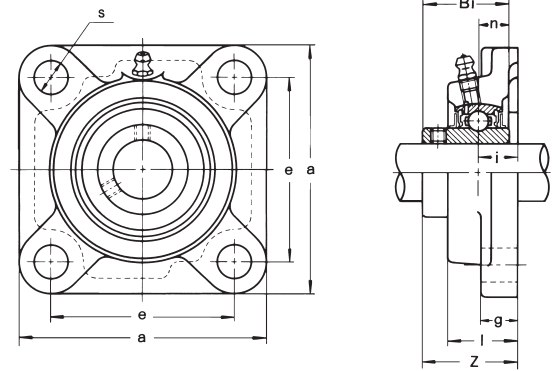
Designation	Shaft diameter mm	h mm	a mm	e mm	b mm	r mm	g mm	w mm	Bi mm	n mm	Bolt size	Weight kg
UCPA 201	12	30.2	76	52	38	12	8	62	31.0	12.7	M10	0.65
UCPA 202	15	30.2	76	52	38	12	8	62	31.0	12.7	M10	0.63
UCPA 203	17	30.2	76	52	38	12	8	62	31.0	12.7	M10	0.62
UCPA 204	20	30.2	76	52	38	12	8	62	31.0	12.7	M10	0.60
UCPA 205	25	36.5	84	56	38	15	10	72	34.0	14.3	M10	0.81
UCPA 206	30	42.9	94	66	48	18	10	84	38.1	15.9	M14	1.20
UCPA 207	35	47.6	110	80	48	20	12	95	42.9	17.5	M14	1.70
UCPA 208	40	49.2	116	84	54	20	12	100	49.2	19.0	M14	1.90
UCPA 209	45	54.2	120	90	54	25	12	108	49.2	19.0	M14	2.20
UCPA 210	50	57.2	130	94	60	25	14	116	51.6	19.0	M16	2.60

Available on request with inserts of series UK and KH. Covers are possible as special version.

The conventional housing tolerances are valid for all shown housing dimensions.  
 All cast housing tolerances are nominal sizes and the conventional cast tolerances must be added.

CAST IRON version square flange units

**Square flange**  
**UCF 200**  
**Normal duty**  
**Set-screw locking**  
**Ball bearing UC 200**

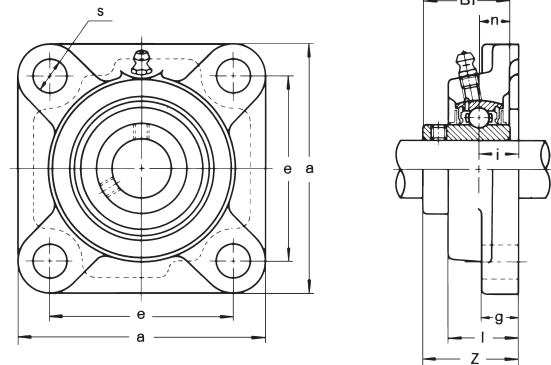


Designation	Shaft diameter mm	a mm	e mm	i mm	g mm	l mm	s mm	Z mm	Bi mm	n mm	Bolt size	Weight kg
UCF 201	12	86	64	15	12	25.5	12	33.3	31.0	12.7	M10	0.64
UCF 202	15	86	64	15	12	25.5	12	33.3	31.0	12.7	M10	0.62
UCF 203	17	86	64	15	12	25.5	12	33.3	31.0	12.7	M10	0.61
UCF 204	20	86	64	15	12	25.5	12	33.3	31.0	12.7	M10	0.59
UCF 205	25	95	70	16	14	27.0	12	35.7	34.0	14.3	M10	0.82
UCF 206	30	108	83	18	14	31.0	12	40.2	38.1	15.9	M10	1.10
UCF 207	35	117	92	19	16	34.0	14	44.4	42.9	17.5	M12	1.50
UCF 208	40	130	102	21	16	36.0	16	51.2	49.2	19.0	M14	2.00
UCF 209	45	137	105	22	18	38.0	16	52.2	49.2	19.0	M14	2.40
UCF 210	50	143	111	22	18	40.0	16	54.6	51.6	19.0	M14	2.50
UCF 211	55	162	130	25	20	43.0	19	58.4	55.6	22.2	M16	3.40
UCF 212	60	175	143	29	20	48.0	19	68.7	65.1	25.4	M16	4.60
UCF 213	65	187	149	30	20	50.0	19	69.7	65.1	25.4	M16	5.50
UCF 214	70	193	152	31	24	54.0	19	75.4	74.6	30.2	M16	6.10
UCF 215	75	200	159	34	24	56.0	19	78.5	77.8	33.3	M16	6.90
UCF 216	80	208	165	34	24	58.0	23	83.3	82.6	33.3	M20	7.80
UCF 217	85	220	175	36	26	63.0	23	87.6	85.7	34.1	M20	9.30
UCF 218	90	235	187	40	26	68.0	23	96.3	96.0	39.7	M20	11.30

Available on request with inserts of series UK and KH. Covers are possible as special version.

The conventional housing tolerances are valid for all shown housing dimensions.  
 All cast housing tolerances are nominal sizes and the conventional cast tolerances must be added.

**Square flange**  
**UCF 300**  
**Heavy duty**  
**Set-screw locking**  
**Ball bearing UC 300**



Designation	Shaft diameter mm	a mm	e mm	i mm	g mm	l mm	s mm	Z mm	Bi mm	n mm	Bolt size	Weight kg
UCF 305	25	110	80	16	13	29	16	39	38	15	M14	1.2
UCF 306	30	125	95	18	15	32	16	44	43	17	M14	1.7
UCF 307	35	135	100	20	16	36	19	49	48	19	M16	2.1
UCF 308	40	150	112	23	17	40	19	56	52	19	M16	2.9
UCF 309	45	160	125	25	18	44	19	60	57	22	M16	3.6
UCF 310	50	175	132	28	19	48	23	67	61	22	M20	4.7
UCF 311	55	185	140	30	20	52	23	71	66	25	M20	5.7
UCF 312	60	195	150	33	22	56	23	78	71	26	M20	6.8
UCF 313	65	208	166	33	22	58	23	78	75	30	M20	7.8
UCF 314	70	226	178	36	25	61	25	81	78	33	M22	9.6
UCF 315	75	236	184	39	25	66	25	89	82	32	M22	11.7
UCF 316	80	250	196	38	27	68	31	90	86	34	M27	13.7
UCF 317	85	260	204	44	27	74	31	100	96	40	M27	15.2
UCF 318	90	280	216	44	30	76	35	100	96	40	M30	18.8
UCF 319	95	290	228	59	30	94	35	121	103	41	M30	20.7
UCF 320	100	310	242	59	32	94	38	125	108	42	M33	24.8
UCF 322	110	340	266	60	35	96	41	131	117	46	M36	34.7
UCF 324	120	370	290	65	40	110	41	140	126	51	M36	47.2
UCF 326	130	410	320	65	45	115	41	146	135	54	M36	62.7
UCF 328	140	450	350	75	55	125	41	161	145	59	M36	87.0

Available on request with inserts of series UK and KH. Covers are possible as special version.

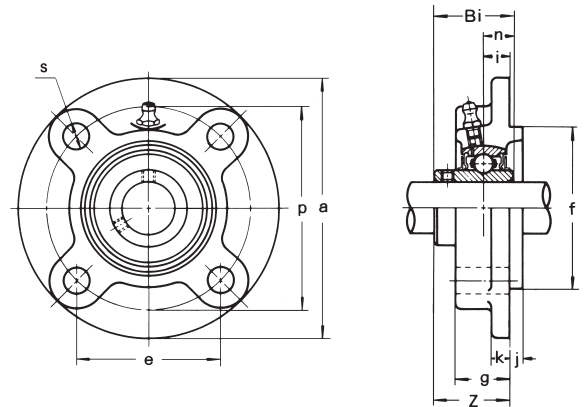
The conventional housing tolerances are valid for all shown housing dimensions.

All cast housing tolerances are nominal sizes and the conventional cast tolerances must be added.



CAST IRON version flange cartridge units

**Flange cartridge**  
**UCFC 200**  
**Normal duty**  
**Set-screw locking**  
**Ball bearing UC 200**

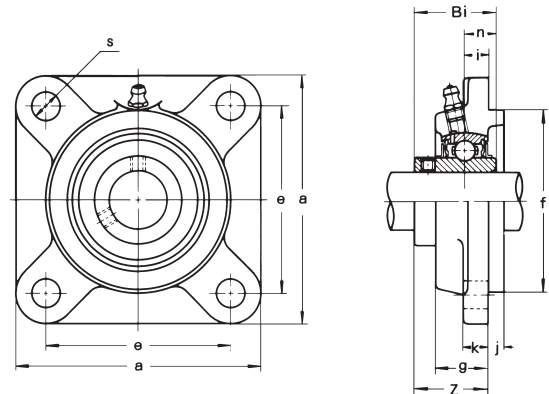


Designation	Shaft diameter mm	a mm	p mm	e mm	i mm	s mm	j mm	k mm	g mm	f mm	Z mm	Bi mm	n mm	Bolt size	Weight kg
UCFC 201	12	100	78	55.1	10	12	5	7	20.5	62	28.3	31.0	12.7	M10	0.89
UCFC 202	15	100	78	55.1	10	12	5	7	20.5	62	28.3	31.0	12.7	M10	0.87
UCFC 203	17	100	78	55.1	10	12	5	7	20.5	62	28.3	31.0	12.7	M10	0.86
UCFC 204	20	100	78	55.1	10	12	5	7	20.5	62	28.3	31.0	12.7	M10	0.84
UCFC 205	25	115	90	63.6	10	12	6	7	21.0	70	29.7	34.0	14.3	M10	1.10
UCFC 206	30	125	100	70.7	10	12	8	8	23.0	80	32.2	38.1	15.9	M10	1.50
UCFC 207	35	135	110	77.8	11	14	8	9	26.0	90	36.4	42.9	17.5	M12	1.70
UCFC 208	40	145	120	84.8	11	14	10	9	26.0	100	41.2	49.2	19.0	M12	2.10
UCFC 209	45	160	132	93.3	10	16	12	14	26.0	105	40.2	49.2	19.0	M14	3.00
UCFC 210	50	165	138	97.6	10	16	12	14	28.0	110	42.6	51.6	19.0	M14	3.10
UCFC 211	55	185	150	106.1	13	19	12	15	31.0	125	46.4	55.6	22.2	M16	3.90
UCFC 212	60	195	160	113.1	17	19	12	15	36.0	135	56.7	65.1	25.4	M16	4.40
UCFC 213	65	205	170	120.2	16	19	14	15	36.0	145	55.7	65.1	25.4	M16	5.30
UCFC 214	70	215	177	125.1	17	19	14	18	40.0	150	61.4	74.6	30.2	M16	6.80
UCFC 215	75	220	184	130.1	18	19	16	18	40.0	160	62.5	77.8	33.3	M16	7.40
UCFC 216	80	240	200	141.4	18	23	16	18	42.0	170	67.3	82.6	33.3	M20	9.20
UCFC 217	85	250	208	147.1	18	23	18	20	45.0	180	69.6	85.7	34.1	M20	10.60
UCFC 218	90	265	220	155.5	22	23	18	20	50.0	190	78.3	96.0	39.7	M20	12.70

Available on request with inserts of series UK and KH. Covers are possible as special version.

The conventional housing tolerances are valid for all shown housing dimensions.  
 All cast housing tolerances are nominal sizes and the conventional cast tolerances must be added.

**Flange cartridge**  
**UCFS 300**  
**Heavy duty**  
**Set-screw locking**  
**Ball bearing UC 300**



Designation	Shaft diameter mm	a mm	e mm	i mm	s mm	j mm	k mm	g mm	f mm	Z mm	Bi mm	n mm	Bolt size	Weight kg
UCFS 305	25	110	80	9	16	7	13	22	80.0	32	38	15	M14	1.4
UCFS 306	30	125	95	10	16	8	15	24	90.0	36	43	17	M14	1.9
UCFS 307	35	135	100	11	19	9	16	27	110	40	48	19	M16	2.4
UCFS 308	40	150	112	13	19	10	17	30	115	46	52	19	M16	3.3
UCFS 309	45	160	125	14	19	11	18	33	125	49	57	22	M16	4.0
UCFS 310	50	175	132	16	23	12	19	36	140	55	61	22	M20	5.3
UCFS 311	55	185	140	17	23	13	20	39	150	58	66	25	M20	6.2
UCFS 312	60	195	150	19	23	14	22	42	160	64	71	26	M20	7.4
UCFS 313	65	208	166	15	23	18	22	40	175	60	75	30	M20	8.6
UCFS 314	70	226	178	18	25	18	25	43	185	63	78	33	M22	11.2
UCFS 315	75	236	184	21	25	18	25	48	200	71	82	32	M22	12.7
UCFS 316	80	250	196	18	31	20	27	48	210	70	86	34	M27	14.3
UCFS 317	85	260	204	24	31	20	27	54	220	80	96	40	M27	17.2
UCFS 318	90	280	216	24	35	20	30	56	240	80	96	40	M30	20.4
UCFS 319	95	290	228	39	35	20	30	74	250	101	103	41	M30	23.9
UCFS 320	100	310	242	39	38	20	32	74	260	105	108	42	M33	27.1
UCFS 322	110	340	266	35	41	25	35	71	300	106	117	46	M36	36.8
UCFS 324	120	370	290	35	41	30	40	80	330	110	126	51	M36	50.6
UCFS 326	130	410	320	35	41	30	45	85	360	116	135	54	M36	67.8
UCFS 328	140	450	350	45	41	30	55	95	400	131	145	59	M36	96.3

Available on request with inserts of series UK and KH. Covers are possible as special version.

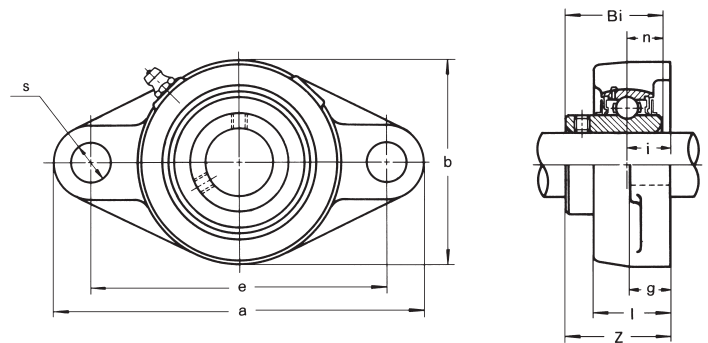
The conventional housing tolerances are valid for all shown housing dimensions.

All cast housing tolerances are nominal sizes and the conventional cast tolerances must be added.



CAST IRON version two-bolt flange units

**Two-bolt flange**  
**UCFL 200**  
**Normal duty**  
**Set-screw locking**  
**Ball bearing UC 200**



Designation	Shaft diameter mm	a mm	e mm	i mm	g mm	l mm	s mm	b mm	Z mm	Bi mm	n mm	Bolt size	Weight kg
UCFL 201	12	113	90	15	12	25.5	12	60	33.3	31.0	12.7	M10	0.50
UCFL 202	15	113	90	15	12	25.5	12	60	33.3	31.0	12.7	M10	0.48
UCFL 203	17	113	90	15	12	25.5	12	60	33.3	31.0	12.7	M10	0.47
UCFL 204	20	113	90	15	12	25.5	12	60	33.3	31.0	12.7	M10	0.45
UCFL 205	25	130	99	16	14	27.0	16	68	35.7	34.0	14.3	M14	0.63
UCFL 206	30	148	117	18	14	31.0	16	80	40.2	38.1	15.9	M14	0.96
UCFL 207	35	161	130	19	16	34.0	16	90	44.4	42.9	17.5	M14	1.20
UCFL 208	40	175	144	21	16	36.0	16	100	51.2	49.2	19.0	M14	1.60
UCFL 209	45	188	148	22	18	38.0	19	108	52.2	49.2	19.0	M16	1.90
UCFL 210	50	197	157	22	18	40.0	19	115	54.6	51.6	19.0	M16	2.20
UCFL 211	55	224	184	25	20	43.0	19	130	58.4	55.6	22.2	M16	3.20
UCFL 212	60	250	202	29	20	48.0	23	140	68.7	65.1	25.4	M20	4.10
UCFL 213	65	258	210	30	24	50.0	23	155	69.7	65.1	25.4	M20	5.10
UCFL 214	70	265	216	31	24	54.0	23	160	75.4	74.6	30.2	M20	6.00
UCFL 215	75	275	225	34	24	56.0	23	165	78.5	77.8	33.3	M20	6.50
UCFL 216	80	290	233	34	24	58.0	25	180	83.3	82.6	33.3	M22	8.00
UCFL 217	85	305	248	36	26	63.0	25	190	87.6	85.7	34.1	M22	9.50
UCFL 218	90	320	265	40	26	68.0	25	205	96.3	96.0	39.7	M22	11.90

Available on request with inserts of series UK and KH. Covers are possible as special version.

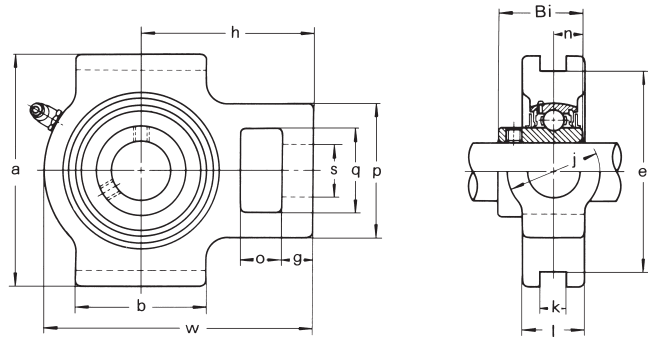
The conventional housing tolerances are valid for all shown housing dimensions.

All cast housing tolerances are nominal sizes and the conventional cast tolerances must be added.



CAST IRON version take-up units

Take-up  
UCT 200  
Normal duty  
Set-screw locking  
Ball bearing UC 200



Designation	Shaft diameter mm	o mm	g mm	p mm	q mm	s mm	b mm	k mm	e mm	a mm	w mm	j mm	l mm	h mm	Bi mm	n mm	Weight kg
UCT 201	12	16	10	51	32	19	51	12	76	89	94	32	21	61	31.0	12.7	0.79
UCT 202	15	16	10	51	32	19	51	12	76	89	94	32	21	61	31.0	12.7	0.77
UCT 203	17	16	10	51	32	19	51	12	76	89	94	32	21	61	31.0	12.7	0.76
UCT 204	20	16	10	51	32	19	51	12	76	89	94	32	21	61	31.0	12.7	0.74
UCT 205	25	16	10	51	32	19	51	12	76	89	97	32	24	62	34.0	14.3	0.82
UCT 206	30	16	10	56	37	22	57	12	89	102	113	37	28	70	38.1	15.9	1.30
UCT 207	35	16	13	64	37	22	64	12	89	102	129	37	30	78	42.9	17.5	1.60
UCT 208	40	19	16	83	49	29	83	16	102	114	144	49	33	88	49.2	19.0	2.40
UCT 209	45	19	16	83	49	29	83	16	102	117	144	49	35	87	49.2	19.0	2.40
UCT 210	50	19	16	83	49	29	86	16	102	117	149	79	37	90	51.6	19.0	2.50
UCT 211	55	25	19	102	64	35	95	22	130	146	171	64	38	106	55.6	22.2	4.00
UCT 212	60	32	19	102	64	35	102	22	130	146	194	64	42	119	65.1	25.4	5.10
UCT 213	65	32	21	111	70	41	121	26	151	167	224	70	44	137	65.1	25.4	7.00
UCT 214	70	32	21	111	70	41	121	26	151	167	224	70	46	137	74.6	30.2	7.10
UCT 215	75	32	21	111	70	41	121	26	151	167	232	70	48	140	77.8	33.3	7.50
UCT 216	80	32	21	111	70	41	121	26	165	184	235	70	51	140	82.6	33.3	8.50
UCT 217	85	38	29	124	73	48	157	30	173	198	260	73	54	162	85.7	34.1	11.20

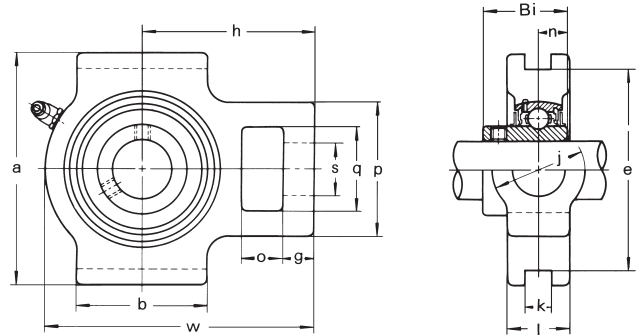
Available on request with inserts of series UK and KH. Covers are possible as special version.

The conventional housing tolerances are valid for all shown housing dimensions.

All cast housing tolerances are nominal sizes and the conventional cast tolerances must be added.



Take-up  
UCT 300  
Heavy duty  
Set-screw locking  
Ball bearing UC 300



Designation	Shaft diameter mm	o	g	p	q	s	b	k	e	a	w	j	l	h	Bi	n	Weight kg
UCT 305	25	16	12	62	36	26	65	12	80	89	122	36	26	76	38	15	1.4
UCT 306	30	18	14	70	41	28	74	16	90	100	137	41	18	85	43	17	1.8
UCT 307	35	20	15	75	45	30	80	16	100	111	150	45	32	94	48	19	2.4
UCT 308	40	22	17	83	50	32	89	18	112	124	162	50	34	100	52	19	3.0
UCT 309	45	24	18	90	55	34	97	18	125	138	178	55	38	110	57	22	4.1
UCT 310	50	27	20	98	61	37	106	20	140	151	191	61	40	117	61	22	5.2
UCT 311	55	29	21	105	66	39	115	22	150	163	207	66	44	127	66	25	6.4
UCT 312	60	31	23	113	71	41	123	22	160	178	220	71	46	135	71	26	7.6
UCT 313	65	32	25	116	70	43	134	26	170	190	238	80	50	146	75	30	9.2
UCT 314	70	36	25	130	85	46	140	26	180	202	252	90	52	155	78	33	11.2
UCT 315	75	36	25	132	85	46	150	26	192	216	262	90	55	160	82	32	13.0
UCT 316	80	42	28	150	98	53	160	30	204	230	282	102	60	174	86	34	15.6
UCT 317	85	42	30	152	98	53	170	32	214	240	298	102	64	183	96	40	19.3
UCT 318	90	46	30	160	106	57	175	32	228	255	312	110	66	192	96	40	21.2
UCT 319	95	46	31	165	106	57	180	35	240	270	322	110	72	197	103	41	24.4
UCT 320	100	48	32	175	115	59	200	35	260	290	345	120	75	210	108	42	30.6
UCT 322	110	52	38	185	125	65	215	38	285	320	385	130	80	235	117	46	38.8
UCT 324	120	60	42	210	140	70	230	45	320	355	432	140	90	267	126	51	54.6
UCT 326	130	65	45	220	150	75	240	50	350	385	465	150	100	285	135	54	68.4
UCT 328	140	70	50	230	160	80	255	50	380	415	515	155	100	315	145	59	83.2

Available on request with inserts of series UK and KH. Covers are possible as special version.

The conventional housing tolerances are valid for all shown housing dimensions.

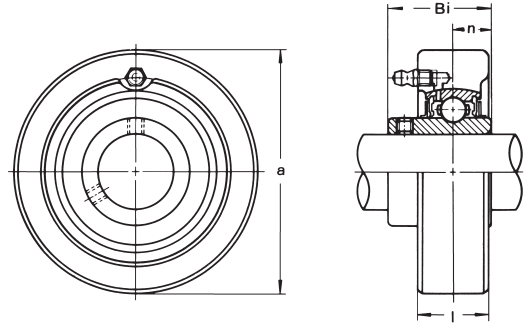
All cast housing tolerances are nominal sizes and the conventional cast tolerances must be added.





CAST IRON version cartridge units

**Cartridge**  
**UCC 200**  
**Normal duty**  
**Set-screw locking**  
**Ball bearing UC 200**



Designation	Shaft diameter mm	a mm	l mm	Bi mm	n mm	Weight kg
UCC 201	12	72	20	31.0	12.7	0.54
UCC 202	15	72	20	31.0	12.7	0.52
UCC 203	17	72	20	31.0	12.7	0.51
UCC 204	20	72	20	31.0	12.7	0.49
UCC 205	25	80	22	34.0	14.3	0.65
UCC 206	30	85	27	38.1	15.9	0.82
UCC 207	35	90	28	42.9	17.5	0.93
UCC 208	40	100	30	49.2	19.0	1.20
UCC 209	45	110	31	49.2	19.0	1.50
UCC 210	50	120	33	51.6	19.0	1.90
UCC 211	55	125	35	55.6	22.2	2.10
UCC 212	60	130	38	65.1	25.4	2.50
UCC 213	65	140	40	65.1	25.4	3.00

Available on request with inserts of series UK and KH. Covers are possible as special version.

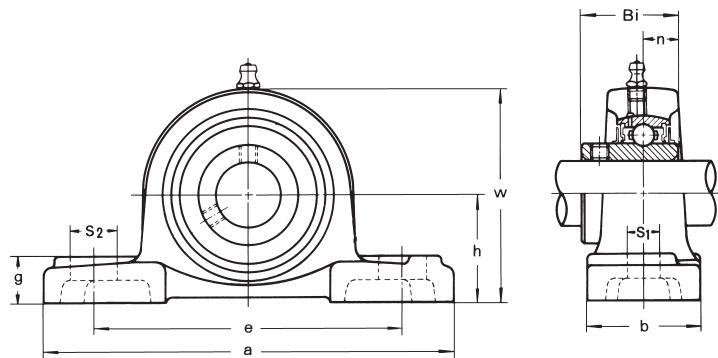
The conventional housing tolerances are valid for all shown housing dimensions.

All cast housing tolerances are nominal sizes and the conventional cast tolerances must be added.



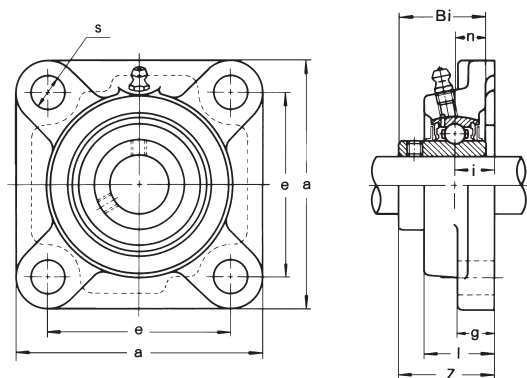
STAINLESS STEEL version

**Pillow block**  
**MUCP 200**  
**Set-screw locking**  
**Ball bearing MUC 200**



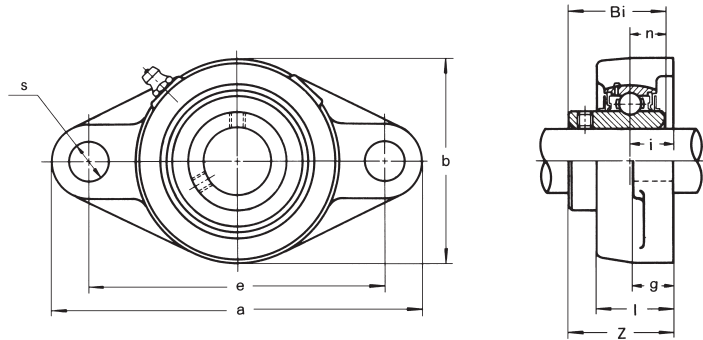
Designation	Shaft diameter mm	h mm	a mm	e mm	b mm	s <sub>1</sub> mm	s <sub>2</sub> mm	g mm	w mm	Bi mm	n mm	Bolt size	Weight kg
MUCP 204	20	33.3	127	95	30	13	19	9	64	31.0	12.7	M10	0.50
MUCP 205	25	36.5	140	105	30	13	19	10	70	34.1	14.3	M10	0.65
MUCP 206	30	42.9	165	121	36	17	21	11	82	38.1	15.9	M14	0.95
MUCP 207	35	47.6	167	127	38	17	21	12	92	42.9	17.5	M14	1.25
MUCP 208	40	49.2	184	137	40	17	22	12	98	49.2	19.0	M14	1.50
MUCP 209	45	54.0	190	146	40	17	22	13	105	49.2	19.0	M14	1.75
MUCP 210	50	57.2	206	159	45	20	25	14	112	51.6	19.0	M16	2.05

**Square flange**  
**MUCF 200**  
**Set-screw locking**  
**Ball bearing MUC 200**



Designation	Shaft diameter mm	a mm	e mm	i mm	g mm	l mm	s mm	Z mm	Bi mm	n mm	Bolt size	Weight kg
MUCF 204	20	86.0	64	15	11	25.5	12	33.3	31.0	12.7	M10	0.65
MUCF 205	25	95.0	70	16	13	27.0	12	35.7	34.1	14.3	M10	0.90
MUCF 206	30	108.0	83	18	13	31.0	12	40.2	38.1	15.9	M10	1.20
MUCF 207	35	117.0	92	19	15	34.0	14	44.4	42.9	17.5	M12	1.60
MUCF 208	40	130.0	102	21	15	36.0	16	51.2	49.2	19.0	M14	2.15
MUCF 209	45	137.0	105	22	16	38.0	16	52.2	49.2	19.0	M14	2.55
MUCF 210	50	143.0	111	22	16	40.0	16	54.6	51.6	19.0	M14	2.65

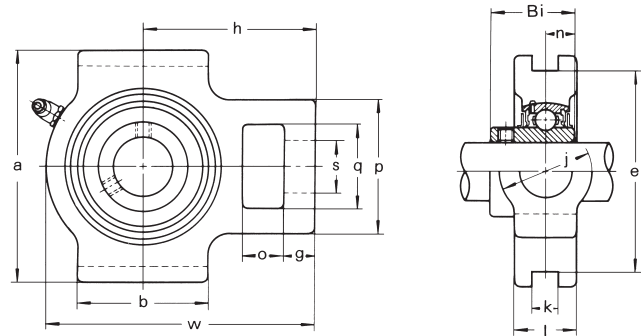
**Two-bolt flange**  
**MUCFL 200**  
**Set-screw locking**  
**Ball bearing MUC 200**



Designation	Shaft diameter mm	a mm	e mm	i mm	g mm	l mm	s mm	b mm	Z mm	Bi mm	n mm	Bolt size	Weight kg
MUCFL 204	20	113	90	15	10	25.5	12	60	33.3	31.0	12.7	M10	0.35
MUCFL 205	25	130	99	16	10	27.0	16	68	35.7	34.1	14.3	M14	0.50
MUCFL 206	30	148	117	18	10	31.0	16	80	40.2	38.1	15.9	M14	0.80
MUCFL 207	35	161	130	19	11	34.0	16	90	44.4	42.9	17.5	M14	1.05
MUCFL 208	40	175	144	21	11	36.0	16	100	51.2	49.2	19.0	M14	1.35
MUCFL 209	45	188	148	22	13	38.0	19	108	52.2	49.2	19.0	M16	1.65
MUCFL 210	50	197	157	22	13	40.0	19	115	54.6	51.6	19.0	M16	1.90

**ASAHI**

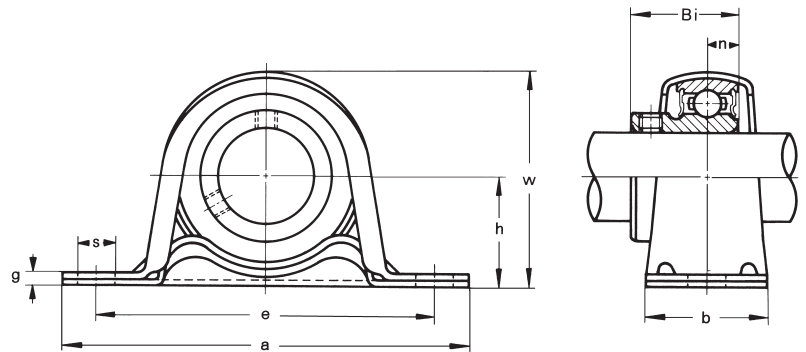

**Take-up**  
**MUCT 200**  
**Set-screw locking**  
**Ball bearing MUC 200**



Designation	Shaft diameter mm	o mm	g mm	p mm	q mm	s mm	b mm	k mm	e mm	a mm	w mm	l mm	j mm	h mm	Bi mm	n mm	Weight kg
MUCT 204	20	16	12	51	32	19	51	12	76	89	94	21	32	61	31.0	12.7	0.80
MUCT 205	25	16	12	51	32	19	51	12	76	89	97	24	32	62	34.1	14.3	0.90
MUCT 206	30	16	12	56	37	22	57	12	89	102	113	28	37	70	38.1	15.9	1.40
MUCT 207	35	16	15	64	37	22	64	12	89	102	129	30	37	78	42.9	17.5	1.70
MUCT 208	40	19	18	83	49	29	83	16	102	114	144	33	49	88	49.2	19.0	2.60
MUCT 209	45	19	18	83	49	29	83	16	102	117	145	35	49	87	49.2	19.0	2.55
MUCT 210	50	19	18	83	49	29	86	16	102	117	151	37	49	90	51.6	19.0	2.65

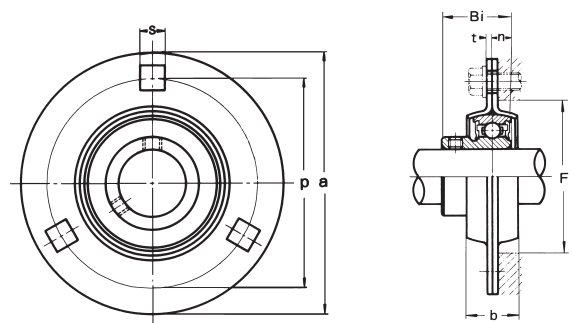
PRESSED STEEL version

**Pillow block  
with yellow galvanized housing  
BPP 200  
Light duty  
Set-screw locking  
Ball bearing B200**



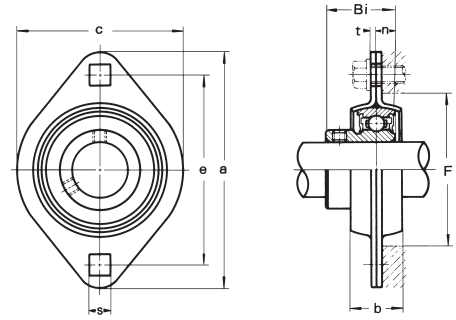
Designation	Shaft diameter mm	h mm	a mm	e mm	b mm	s mm	g mm	w mm	Bi mm	n mm	Bolt size	Weight kg
BPP 201-Z2	12	22.2	86	68	25	9.5	3.2	44	22.0	6.0	M 8	0.16
BPP 202-Z2	15	22.2	86	68	25	9.5	3.2	44	22.0	6.0	M 8	0.15
BPP 203-Z2	17	22.2	86	68	25	9.5	3.2	44	22.0	6.0	M 8	0.13
BPP 204-Z2	20	25.4	98	76	32	9.5	3.2	50	24.7	7.0	M 8	0.21
BPP 205-Z2	25	28.6	108	86	32	11.5	4.0	56	27.7	7.5	M10	0.29
BPP 206-Z2	30	33.3	117	95	38	11.5	4.0	66	30.3	8.0	M10	0.42
BPP 207-Z2	35	39.7	129	106	42	11.5	4.6	78	32.9	8.5	M10	0.61

**Round flange with pressed steel housing  
BPF 200  
Light duty  
Set-screw locking  
Ball bearing B200**



Designation	Shaft diameter mm	a mm	p mm	t mm	b mm	s mm	F min. mm	W mm	Bi mm	n mm	Bolt size	Weight kg
BPF 201	12	81	63.5	2.0	14	7	49	29	22.0	6.0	M 6	0.21
BPF 202	15	81	63.5	2.0	14	7	49	29	22.0	6.0	M 6	0.20
BPF 203	17	81	63.5	2.0	14	7	49	29	22.0	6.0	M 6	0.18
BPF 204	20	90	71.5	2.0	16	9	56	33	24.7	7.0	M 8	0.25
BPF 205	25	95	76.0	2.0	18	9	60	35	27.7	7.5	M 8	0.35
BPF 206	30	113	90.5	2.6	18	11	71	38	30.3	8.0	M10	0.54
BPF 207	35	120	100.0	2.6	20	11	81	45	32.9	8.5	M10	0.71

**Two-bolt flange**  
**BPFL 200**  
**Light duty**  
**Set-screw locking**  
**Ball bearing B200**

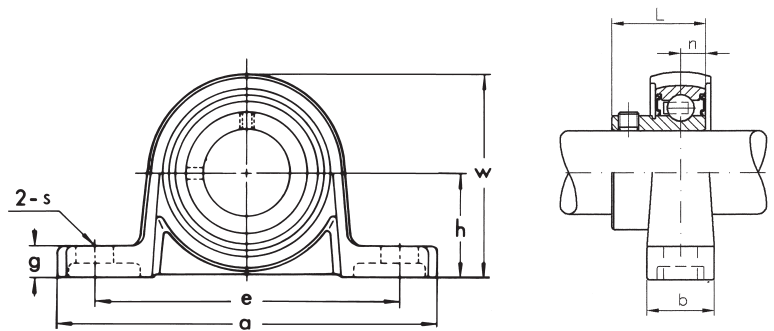


Designation	Shaft diameter mm	a mm	e mm	t mm	b mm	s mm	c mm	F mm	Bi mm	n mm	Bolt size	Weight kg
BPFL 201	12	81	63.5	2.0	14	7	59	49	22.0	6.0	M 6	0.25
BPFL 202	15	81	63.5	2.0	14	7	59	49	22.0	6.0	M 6	0.24
BPFL 203	17	81	63.5	2.0	14	7	59	49	22.0	6.0	M 6	0.22
BPFL 204	20	90	71.5	2.0	16	9	67	56	24.7	7.0	M 8	0.29
BPFL 205	25	95	76.0	2.0	18	9	71	60	27.7	7.5	M 8	0.36
BPFL 206	30	113	90.5	2.6	18	11	84	71	30.3	8.0	M10	0.56
BPFL 207	35	122	100.0	2.6	20	11	94	81	32.9	8.5	M10	0.70

**ASAHI**

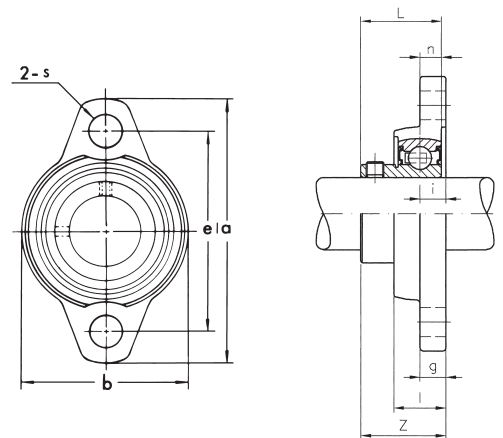

SILVER version

**Pillow block**  
**KP 000**  
**Set-screw locking**  
**Insert K 000**



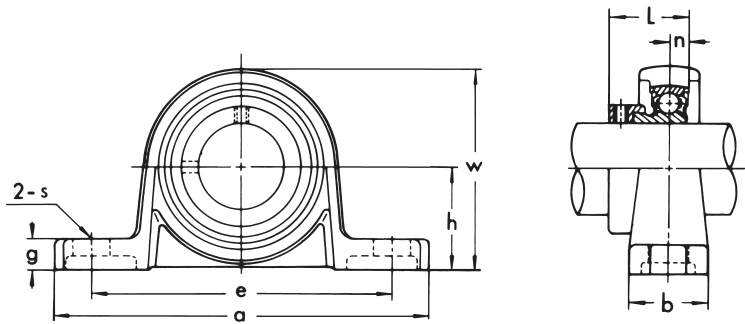
Designation	Shaft diameter mm	h mm	a mm	e mm	b mm	s mm	g mm	w mm	L mm	n mm	Bolt size	Weight kg
KP 000	10	18	67	53	16	7	6	35	14.0	4.0	M 6	0.077
KP 001	12	19	71	56	16	7	6	38	14.5	4.0	M 6	0.091
KP 002	15	22	80	63	16	7	7	43	16.5	4.5	M 6	0.125
KP 003	17	24	85	67	18	7	7	47	17.5	5.0	M 6	0.156
KP 004	20	28	100	80	20	10	9	55	21.0	6.0	M 8	0.230
KP 005	25	32	112	90	20	10	10	62	22.5	6.0	M 8	0.294
KP 006	30	36	132	106	26	13	11	70	24.5	6.5	M10	0.454

**Two-bolt flange**  
**KPL 000**  
**Set-screw locking**  
**Insert K 000**



Designation	Shaft diameter mm	a mm	e mm	i mm	g mm	l mm	s mm	b mm	Z mm	L mm	n mm	Bolt size	Weight kg
KFL 000	10	60	45	5.5	5.5	11.5	7.0	36	15.5	14.0	4.0	M 6	0.060
KFL 001	12	63	48	5.5	5.5	11.5	7.0	38	16.0	14.5	4.0	M 6	0.076
KFL 002	15	67	53	6.5	6.5	13.0	7.0	42	18.6	16.5	4.5	M 6	0.100
KFL 003	17	71	56	7.0	7.0	14.0	7.0	46	19.5	17.5	5.0	M 6	0.129
KFL 004	20	90	71	8.0	8.0	16.0	10.0	55	23.0	21.0	6.0	M 8	0.205
KFL 005	25	95	75	8.0	8.0	16.0	10.0	60	24.5	22.5	6.0	M 8	0.244
KFL 006	30	112	85	9.0	9.0	18.0	13.0	70	27.0	24.5	6.5	M10	0.354

**Pillow block**  
**UP 000**  
Eccentric collar locking  
Insert U 000+ER

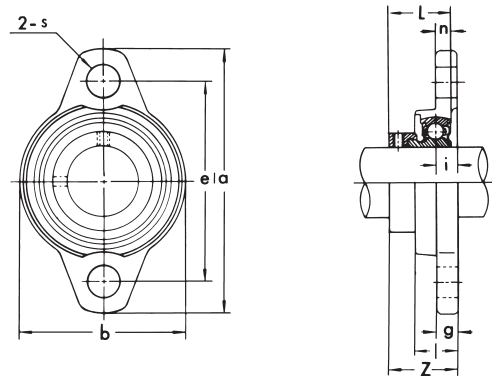


Designation	Shaft diameter mm	h mm	a mm	e mm	b mm	s mm	g mm	w mm	L mm	n mm	Bolt size	Weight kg
UP 000	10	18	67	53	16	7.0	6	35	17.5	4.0	M 6	0.077
UP 001	12	19	71	56	16	7.0	6	38	17.5	4.0	M 6	0.091
UP 002	15	22	80	63	16	7.0	7	43	18.5	4.5	M 6	0.125
UP 003	17	24	85	67	18	7.0	7	47	20.5	5.0	M 6	0.156
UP 004	20	28	100	80	20	10.0	9	55	24.5	6.0	M 8	0.230
UP 005	25	32	112	90	20	10.0	10	62	25.5	6.0	M 8	0.294
UP 006	30	36	132	106	26	13.0	11	70	26.5	6.5	M10	0.454

**ASAHI**



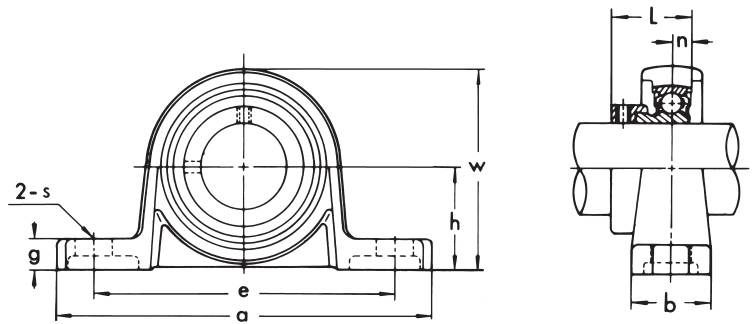
**Two-bolt flange**  
**UFL 000**  
Eccentric collar locking  
Insert U 000+ER



Designation	Shaft diameter mm	a mm	e mm	i mm	g mm	l mm	s mm	b mm	Z mm	L mm	n mm	Bolt size	Weight kg
UFL 000	10	60	45	5.5	5.5	11.5	7.0	36	19.0	17.5	4.0	M 6	0.060
UFL 001	12	63	48	5.5	5.5	11.5	7.0	38	19.0	17.5	4.0	M 6	0.076
UFL 002	15	67	53	6.5	6.5	13.0	7.0	42	20.5	18.5	4.5	M 6	0.100
UFL 003	17	71	56	7.0	7.0	14.0	7.0	46	22.5	20.5	5.0	M 6	0.129
UFL 004	20	90	71	8.0	8.0	16.0	10.0	55	26.5	24.5	6.0	M 8	0.205
UFL 005	25	95	75	8.0	8.0	16.0	10.0	60	27.5	25.5	6.0	M 8	0.244
UFL 006	30	112	85	9.0	9.0	18.0	13.0	70	29.0	26.5	6.5	M10	0.354

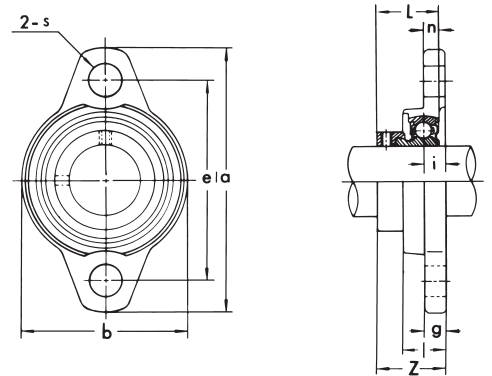
STAINLESS SILVER version

**Pillow block**  
**MUP 000**  
**Eccentric collar locking**  
**Insert MU 000+ER**



Designation	Shaft diameter mm	h mm	a mm	e mm	b mm	s mm	g mm	w mm	L mm	n mm	Bolt size	Weight kg
MUP 000	10	18	67	53	16	7	6	35	17.5	4.0	M 6	0.077
MUP 001	12	19	71	56	16	7	6	38	17.5	4.0	M 6	0.091
MUP 002	15	22	80	63	16	7	7	43	18.5	4.5	M 6	0.125
MUP 003	17	24	85	67	18	7	7	47	20.5	5.0	M 6	0.156
MUP 004	20	28	100	80	20	10	9	55	24.5	6.0	M 8	0.230
MUP 005	25	32	112	90	20	10	10	62	25.5	6.0	M 8	0.294
MUP 006	30	36	132	106	26	13	11	70	26.5	6.5	M10	0.454

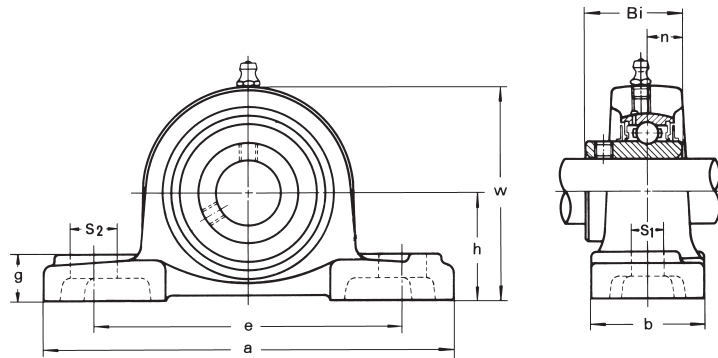
**Two-bolt flange**  
**MUFL 000**  
**Eccentric collar locking**  
**Insert MU 000+ER**



Designation	Shaft diameter mm	a mm	e mm	i mm	g mm	l mm	s mm	b mm	Z mm	L mm	n mm	Bolt size	Weight kg
MUFL 000	10	60	45	5.5	5.5	11.5	7	36	19.0	17.5	4.0	M 6	0.060
MUFL 001	12	63	48	5.5	5.5	11.5	7	38	19.0	17.5	4.0	M 6	0.076
MUFL 002	15	67	53	6.5	6.5	13.0	7	42	20.5	18.5	4.5	M 6	0.100
MUFL 003	17	71	56	7.0	7.0	14.0	7	46	22.5	20.5	5.0	M 6	0.129
MUFL 004	20	90	71	8.0	8.0	16.0	10	55	26.5	24.5	6.0	M 8	0.205
MUFL 005	25	95	75	8.0	8.0	16.0	10	60	27.5	25.5	6.0	M 8	0.244
MUFL 006	30	112	85	9.0	9.0	18.0	13	70	29.0	26.5	6.5	M10	0.354

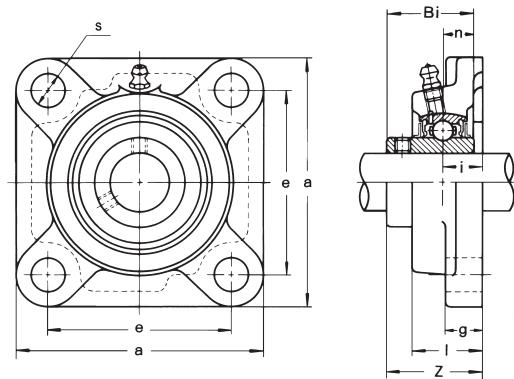


PLASTIC version

**Pillow block**  
**MUCA 200-SBFD**  
**Set-screw locking**  
**Insert MUC 200**


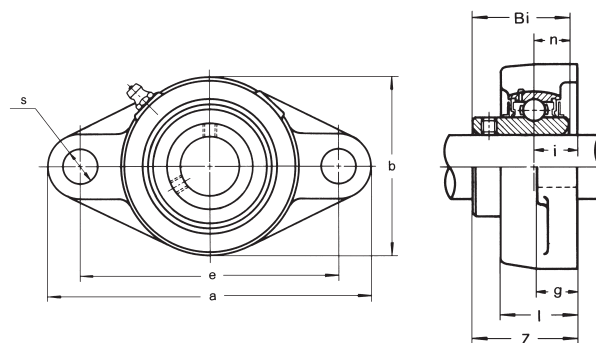
Designation	Shaft diameter mm	h mm	a mm	e mm	b mm	s <sub>1</sub> mm	s <sub>2</sub> min. mm	g min. mm	w max. mm	Bi mm	n mm	Bolt size	Weight kg
MUCA 204-SB <b>20</b>	20	33.3	127	95	38	11	14	14.2	65	31.0	12.7	M10	0.28
MUCA 205-SB <b>25</b>	25	36.5	140	105	38	11	14	14.5	71	34.1	14.3	M10	0.33
MUCA 206-SB <b>30</b>	30	42.9	162	119	46	14	18	17.8	83	38.1	15.9	M12	0.52
MUCA 207-SB <b>35</b>	35	47.6	167	127	48	14	18	18.0	94	42.9	17.5	M12	1.73
MUCA 208-SB <b>40</b>	40	49.2	184	137	54	14	18	19.5	98	49.2	19.0	M12	1.95

**ASAHI**

**Square flange**  
**MUCB 200-SBFD**  
**Set-screw locking**  
**Insert MUC 200**


Designation	Shaft diameter mm	a mm	e mm	i mm	g mm	l mm	s mm	Z mm	Bi mm	n mm	Bolt size	Weight kg
MUCB 204-SB <b>20</b>	20	86.0	63.5	18.0	13.4	27.8	11	36.3	31.0	12.7	M10	0.23
MUCB 205-SB <b>25</b>	25	94.5	70.0	17.0	14.3	27.9	11	36.8	34.1	14.3	M10	0.30
MUCB 206-SB <b>30</b>	30	107.0	83.0	19.2	14.3	31.5	11	41.4	38.1	15.9	M12	0.44
MUCB 207-SB <b>35</b>	35	147.0	92.0	21.5	15.5	34.8	13	46.9	42.9	17.5	M12	0.65
MUCB 208-SB <b>40</b>	40	130.0	102.0	23.0	17.0	37.5	14	53.2	49.2	19.5	M12	0.87

**Two-bolt flange**  
**MUCD 200-SBFD**  
**Set-screw locking**  
**Insert MUC 200**



Designation	Shaft diameter mm	a mm	e mm	i mm	g mm	l mm	s mm	b mm	Z mm	Bi mm	n mm	Bolt size	Weight kg
MUCD 204-SB <b>20</b>		113	90	15.4	11.4	26.5	11	64	33.7	31.0	12.7	M10	0.23
MUCD 205-SB <b>25</b>		130	99	17.0	13.5	29.1	11	68	36.8	34.1	14.3	M10	0.30
MUCD 206-SB <b>30</b>		148	117	19.0	13.3	30.5	11	80	41.2	38.1	15.9	M12	0.44
MUCD 207-SB <b>35</b>		163	130	18.0	16.1	32.8	13	90	43.4	42.9	17.5	M12	0.65
MUCD 208-SB <b>40</b>		175	144	21.5	20.0	37.5	14	100	51.7	49.2	19.0	M12	0.87



**HOISI**  
PRECISION

凱獅精密  
180 7312 9830

**ASKUBAL**  
Qualität + Dynamik in Perfektion

**ASAHI**





# Metric cam follower bearings

Cam follower stud type

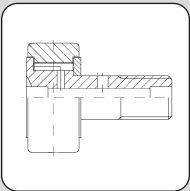
S. 5-2

Cam follower yoke type

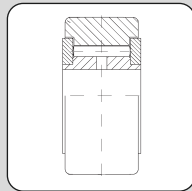
S. 5-4



Cam follower  
stud type

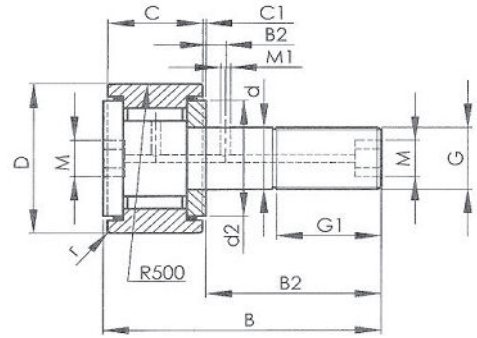


Cam follower  
yoke type



# ASK® Cam follower stud type

crowned roller diameter  
 KR: cage type  
 KRV: full complemented  
 PP: sealed on both sides  
 SK: hex hole



## Dimensions

Designation	D	d h7	C max.	r min.	B	B <sub>1</sub>	B <sub>2</sub>	G	G <sub>1</sub>
	mm	mm	mm	mm	mm	mm	mm	mm	mm
KR 13 PPSK-ASK	13	5	10,2	0,3	23	13	-	M 5x0,8	7,5
KR 16 PPSK-ASK	16	6	11	0,3	28	16	-	M 6x1	8
KRV 16 PPSK-ASK	16	6	11	0,3	28	16	-	M 6x1	8
KR 19 PPSK-ASK	19	8	11	0,6	32	20	-	M 8x1,25	10
KRV 19 PPSK-ASK	19	8	11	0,6	32	20	-	M 8x1,25	10
KR 22 PPSK-ASK	22	10	12	0,3	36	23	-	M 10x1	12
KRV 22 PPSK-ASK	22	10	12	0,3	36	23	-	M 10x1	12
KR 26 PPSK-ASK	26	10	12	0,3	36	23	-	M 10x1	12
KRV 26 PPSK-ASK	26	10	12	0,3	36	23	-	M 10x1	12
KR 30 PPSK-ASK	30	12	14	0,6	40	25	6	M 12x1,5	13
KRV 30 PPSK-ASK	30	12	14	0,6	40	25	6	M 12x1,5	13
KR 32 PPSK-ASK	32	12	14	0,6	40	25	6	M 12x1,5	13
KRV 32 PPSK-ASK	32	12	14	0,6	40	25	6	M 12x1,5	13
KRV 35 PPSK-ASK	35	16	18	0,6	52	32,5	8	M 16x1,5	17
KRV 40 PPSK-ASK	40	18	20	1	58	36,5	8	M 18x1,5	19
KRV 47 PPSK-ASK	47	20	24	1	66	40,5	9	M 20x1,5	21
KRV 52 PPSK-ASK	52	20	24	1	66	40,5	9	M 20x1,5	21
KRV 62 PPSK-ASK	62	24	29	1	80	49,5	11	M 24x1,5	25
KRV 80 PPSK-ASK	80	30	35	1,1	100	63	15	M 30x1,5	32
KRV 90 PPSK-ASK	90	30	35	1,1	100	63	15	M 30x1,5	32

\*) hex hole only at the flange-side end face

### Relubrication possibility:

For sizes 13, 16 and 19 relubrication is not possible.

The types KR 22 and KR 26 have a relubrication bore at the flange-side end face.

The types KR 30 and KR 32 have an end to end lubrication bore and an additional hex hole at the stud end.

The version KRV beginning with size 22 has an end to end lubrication bore and an additional hex hole at the stud end.

M	M <sub>1</sub>	C <sub>1</sub>	d <sub>2</sub>	Clamping torque	Load ratings		Limiting speed grease	
				M <sub>A</sub>	stat. C <sub>0</sub>	dyn. C	n <sub>D</sub>	weight
mm	mm	mm	mm	Nm	kN	kN	min <sup>-1</sup>	g
3*	-	0,5	10	2,2	1,49	1,85	17000	16
4*	-	0,6	12	3,0	2,12	3,09	14000	18
4*	-	0,6	12	3,0	2,12	5,21	3800	20
4*	-	0,6	14	8,0	3,73	3,36	11000	28
4*	-	0,6	14	8,0	4,59	6,00	3100	32
5*	-	0,6	17	15,0	5,45	4,68	8000	44
5	-	0,6	17	15,0	9,36	7,07	2600	45
5*	-	0,6	17	15,0	5,45	4,68	8000	58
5	-	0,6	17	15,0	9,36	7,07	2600	61
6	3	0,6	23	22,0	7,25	6,18	5500	87
6	3	0,6	23	22,0	13,77	9,97	2100	89
6	3	0,6	23	22,0	7,25	6,18	5500	98
6	3	0,6	23	22,0	13,77	9,97	2100	100
6	3	0,8	27	58,0	25,65	15,27	3400	172
6	3	0,8	32	87,0	28,98	17,48	2900	249
8	4	0,8	37	120,0	42,03	23,12	2600	394
8	4	0,8	37	120,0	42,03	23,12	2600	456
8	4	0,8	44	220,0	58,86	34,96	2200	811
8	4	1,0	53	450,0	92,07	57,73	1800	1644
8	4	1,0	53	450,0	92,07	57,73	1700	2004

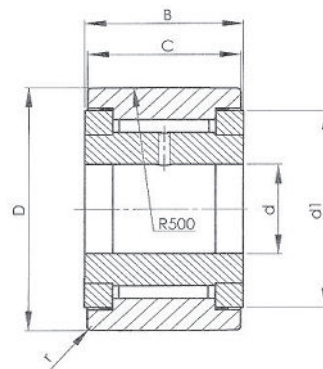

**Supplies include:**

Size 13 up to 19: nut

Sizes 22 up: nut, plug, grease nipple

# ASK® Cam follower yoke type

crowned roller diameter  
 NATR: cage type  
 NATV: full complement  
 PP: sealed on both sides



## Dimensions

Designation	d	D	C	B	d <sub>1</sub>	r
	mm	mm	mm	mm	mm	mm
NATR 5 PP-ASK	5	16	11	12	12,5	0,15
NATV 5 PP-ASK	5	16	11	12	12,5	0,15
NATR 6 PP-ASK	6	19	11	12	14,6	0,60
NATV 6 PP-ASK	6	19	11	12	14,6	0,60
NATR 8 PP-ASK	8	24	14	15	19,0	0,30
NATV 8 PP-ASK	8	24	14	15	19,0	0,30
NATR 10 PP-ASK	10	30	14	15	23,0	0,60
NATV 10 PP-ASK	10	30	14	15	23,0	0,60
NATR 12 PP-ASK	12	32	14	15	25,0	0,60
NATV 12 PP-ASK	12	32	14	15	25,0	0,60
NATR 15 PP-ASK	15	35	18	19	27,6	0,60
NATV 15 PP-ASK	15	35	18	19	27,6	0,60
NATR 17 PP-ASK	17	40	20	21	32,0	1,00
NATV 17 PP-ASK	17	40	20	21	32,0	1,00
NATR 20 PP-ASK	20	47	24	25	37,0	1,00
NATR 25 PP-ASK	25	52	24	25	42,0	1,00
NATV 25 PP-ASK	25	52	24	25	42,0	1,00
NATR 30 PP-ASK	30	62	28	29	51,0	1,00





**Load ratings**

**Limiting speed  
grease**

**stat. C<sub>0</sub>**

**dyn. C**

**n<sub>D</sub>**

**weight**

kN

kN

min<sup>-1</sup>

g

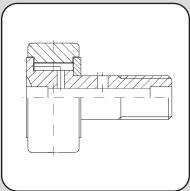
3,04	3,09	14000	14
6,21	5,21	3800	15
3,68	3,36	11000	20
7,88	6,01	3100	21
5,81	5,21	7500	41
11,34	8,65	2500	42
7,25	6,17	5500	64
13,77	9,97	2100	65
8,21	6,54	4500	71
15,66	10,85	1800	72
14,31	9,80	3600	103
25,65	15,27	3400	105
17,73	12,01	2900	144
28,98	17,48	1400	152
43,20	23,12	1300	254
31,41	17,21	3600	274
52,83	25,60	1000	285
80,10	37,33	850	481



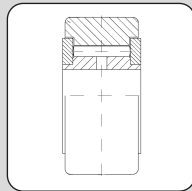
Cam follower stude type, standard	P. 6-8
Cam follower stude type, heavy load	P. 6-10
Cam follower yoke type, standard	P. 6-12
Cam follower yoke type, heavy load	P. 6-14



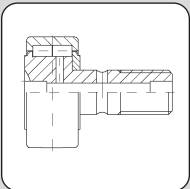
Cam follower stude type,  
standard



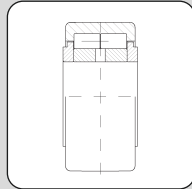
Cam follower yoke type,  
standard



Cam follower stude type,  
heavy load



Cam follower yoke type,  
heavy load



## Load ratings

The Basic Load Rating or Basic Dynamic Rating, as defined by ABMA and ISO, is that calculated, constant radial load which 90% of a group of apparently identical bearings with stationary outer ring can theoretically endure for a rating life of 1,000,000 revolutions (33 $\frac{1}{3}$  rpm for 500 hours). The Basic Load Rating is a reference value only, the base value of 1,000,000 revolutions chosen for ease of calculation. The dimensional tables list the Basic Dynamic (C) and Basic Static (Co) Load Ratings as calculated by the ISO and AFBMA Standards. Also listed are the Dynamic and Static Ratings for the CAMROL bearings operating as track rollers. These dynamic and static ratings are less than those calculated by the basic load rating formulas (C and Co) and account for the additional bending stressed present because the outer ring is unsupported. The load applied on the bearing while it is operating dynamically should not exceed 50% of the Dynamic Rating as a Track Roller.

## Bearing life

Statistical L<sub>10</sub> bearing fatigue life can be calculated according to the following formula:

$$L_{10} \text{ Life in Hours} = \frac{16666}{N} \times \left( \frac{BDR}{P} \right)^{\frac{10}{3}}$$

BDR = Basic Dynamic Rating (Newtons)

P = Radial Load (Newtons)

N = Speed (RPM)

L<sub>10</sub> = Fatigue Life (Hours)

To determine the Basic Dynamic Rating required for a given application, use the following formula:

$$BDR = 0.054 \times P \times (L_{10} \times N)^{0.3}$$

## Mounting

The following should be considered in mounting CAMROL bearings:

- The housing that supports the cam follower stud (or the shaft on which the cam yoke roller is mounted) should be of sufficient strength to resist excessive deformation and bending under the expected applied load.
- The face of the housing should be flat and square with the housing bore, and must have a diameter of at least that listed in the dimensional tables for proper support of the bearing endplate.
- In order to obtain the best support for the CAMROL bearing, the chamfer on the housing bore should not exceed 0.5 mm x 45 °.
- When mounting Stud Type CAMROL bearings in a machine member, the radial lubrication hole (it is in line with the McGill name) should be located in the unloaded portion of the raceway.
- Any pressure required for installation should be applied against the solid center portion of the flanged inner stud (not on the flange perimeter), and the cam follower should be drawn up tightly by the nut so the bearing endplate is securely backed up.
- Precaution should be taken to avoid excessive torque when tightening the clamping nut; otherwise undue stress may be set up in the stud.
- The clamping nut should not be tightened beyond the maximum clamping torque listed in the dimensional table.
- Yoke Type CAMROL bearings should be mounted with the lubrication hole in the unloaded portion of the raceway and according to the recommended shaft dimensions listed in the tabular data.
- When a tight fit of the bearing on a shaft is desired, an ISO j6 shaft tolerance should be employed.

- For heavily loaded applications, the bearing should be clamped endwise and mounted on a high strength shaft with an ISO j6 tolerance.
- If the bearing cannot be clamped endwise, it is essential to have a close axial fit in the yoke in which the bearing is mounted to prevent axial displacement of the endplates under load.

## Provision for relubrication – stud type

Stud type CAMROL bearings have provision for relubrication either through the end of the inner stud or through a cross drilled hole in the stud shank. The drilled hole is located above the "G" of the McGill marking.

Sizes up through 19 mm OD do not have an axial hole from the threaded end, and no cross drill hole is present in the stud shank on sizes through 26 mm OD. The counterbored ends of the axial holes are designed to accept a press-fitted type metric lubrication fitting. Closing plugs are supplied so that the unused axial hole or holes can be sealed. If the cross drilled hole is not used for relubrication, it should be covered by the housing; therefore, no plug is supplied for this hole.

## Provision for relubrication – yoke type

Yoke Type CAMROL bearings have a lubrication hole in the inner ring bore so relubrication can be accomplished through a cross-drilled hole in the supporting shaft if desired.

## Track design

Since cam followers or cam yoke rollers are merely one component of a two-piece bearing construction, along with the track or cam on which it operates, proper selection of the track or cam material must be considered. This selection has a direct effect upon ultimate life and performance of the cam roll application.

Where bearings are used as support or guide rollers, it is often difficult to obtain high hardness and tensile strength values for the machine members against which the bearings operate. In the interest of economy, relatively soft structural materials can be applied in most applications where dimensional accuracy is not extremely critical. The work hardening of ferrous, low carbon track materials, accompanied by relatively small amounts of wear-in of the bearing into the track surface, generally results in satisfactory bearing performance. In the application of cam follower or cam yoke roller bearings (lift truck mast rollers, for instance), it is common to employ formed structural steel sections as bearing track support members, and the wearing-in and work hardening of the track surface generally results in a satisfactory bearing application, providing loads are not excessive.



## Cam design

Cam applications are similar in many respects to track or support roller applications, except that bearing speeds are higher due to the multiplication of cam revolutions per minute by the ratio of the cam OD to the cam follower OD. Because of these higher speeds, oil lubrication is preferred, but where such lubrication methods are not possible, grease should be replaced frequently.

In the application of box or drum cams, it is possible to obtain differential rotation of the cam follower outer race as well as associated load reversals. This may result in excessive wear of cams or cam followers unless proper cam hardness and materials are employed, as well as ample lubrication. In box cams of this nature, the cam rise and cam fall should be watched closely, since the load reversal encountered can cause shock loads in excess of the capacity of the stud or bearing.

The same precaution applies to ordinary circular cams. Instantaneous loads due to rapid cam rise should be carefully calculated and kept below the ultimate strength of the follower and the stud.

In ordinary cam design it is possible to employ the most efficient materials for best resistance to fatigue and brinelling, and attainment of high track surface hardnesses associated with good wear resistance is quite feasible. The same general precautions concerning tensile strength, as listed under track design above, should be followed for cam design; applications involving high marginal bearing or cam loading should be referred to the McGill Engineering Department.

## Track capacity

Track capacity of all cam follower and cam yoke roller bearings is the load which a steel track of a given tensile strength will withstand continuously without deformation or brinelling. Table II lists track capacities for steel tracks for the standard crowned roller outside diameter versions. For the straight cylindrical roller outside diameter versions ("-X" suffix), multiply by 1.25 to obtain the track capacity ratings.

To obtain track capacities for track hardnesses other than Rockwell "C" scale 40 (tensile strength 1242 MPa), multiply track capacity by track capacity factor listed in Table I. Regardless of track capacity, dynamic load should not exceed 50% of basic dynamic rating as a track roller and static load should not exceed maximum static rating as a track roller.



**Table 1 – Track Tensile Strength**

MPa	Track hardness Rockwell “C”	Track capacity Factor
828	26	0.445
966	32	0.667
1104	36	0.792
1242	40	1.000
1380	44	1.237
1518	47	1.495
1656	50	1.775
1794	53	2.090
1932	56	2.420
2070	58	2.780

**Table 2 – Track Capacities**

Basic bearing number	Track capacity Newton
MCFR 13	1910
MCFR 16	2940
MCYRR 5	2940
MCFR 19	3490
MCYRR 6	3490
MCFR 22	4270
MCYRR 8	5500
MCFR 26	5050
MCFR 30	6350
MCYRR 10	6350
MCFR 32	6780
MCYRR 12	6780
MCFR 35	9840
MCYRR 15	9840
MCFD 35	9840
MCYRD 15	9840
MCFR 40	12000
MCYRR 17	12000
MCFD 40	12000
MCYRD 17	12000
MCFR 47	17400
MCYRR 20	17400
MCFD 47	17400
MCYRD 20	17400
MCFR 52	19200
MCYRR 25	19200
MCFD 25	19200
MCYRD 25	19200
MCFR 62	28400
MCYRR 30	27400
MCFD 62	28400
MCYRD 30	27400
MCFR 72	31800
MCYRR 35	30500
MCFD 72	31800
MCYRD 35	30500
MCFR 80	43800
MCYRR 40	36700
MCFD 80	43800
MCYRD 40	36700
MCFR 85	46400
MCYRR 45	39000
MCYRD 45	39000
MCFR 90	49200
MCYRR 50	41300
MCFD 90	49200
MCYRD 50	41300

## Tolerance limits

### Stud type MCF series

#### Cylindrical Roller Dia. "RD"

RD (NOM.) over mm	incl. mm	Tolerance MAX. mm	MIN. mm
6	18	0	-0.008
18	30	0	-0.009
30	50	0	-0.011
50	80	0	-0.013
80	120	0	-0.015

### Stud type MCFD series

#### Cylindrical Roller Dia. "RD"

RD (NOM.) over mm	incl. mm	Tolerance MAX. mm	MIN. mm
30	50	0	-0.011
50	80	0	-0.013
80	120	0	-0.015

#### Crowned Roller Dia. "RD"

RD (NOM.) over mm	incl. mm	Tolerance MAX. mm	MIN. mm
6	120	0	-0.050

#### Crowned Roller Dia. "RD"

SD (NOM.) over mm	incl. mm	Tolerance MAX. mm	MIN. mm
30	120	0	-0.050

#### Stud Dia. "SD"

SD (NOM.) over mm	incl. mm	Tolerance MAX. mm	MIN. mm
2	6	0	-0.012
6	10	0	-0.015
10	18	0	-0.018
18	30	0	-0.021

#### Stud Dia. "SD"

SD (NOM.) over mm	incl. mm	Tolerance MAX. mm	MIN. mm
10	18	0	-0.018
18	30	0	-0.021



### Yoke type MCYR series

#### Cylindrical Roller Dia. "RD"

RD (NOM.) over mm	incl. mm	Tolerance MAX. mm	MIN. mm
6	18	0	-0.008
18	30	0	-0.009
30	50	0	-0.011
50	80	0	-0.013
80	120	0	-0.015

### Yoke type MCYRD series

#### Cylindrical Roller Dia. "RD"

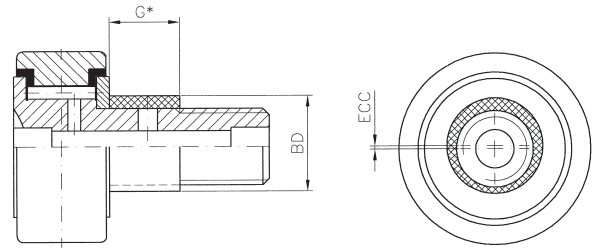
RD (NOM.) over mm	incl. mm	Tolerance MAX. mm	MIN. mm
6	18	0	-0.008
18	30	0	-0.009
30	50	0	-0.011
50	80	0	-0.013
80	120	0	-0.015

#### Crowned Roller Dia. "RD"

RD (NOM.) over mm	incl. mm	Tolerance MAX. mm	MIN. mm
6	120	0	-0.050

#### Crowned Roller Dia "RD"

SD (NOM.) over mm	incl. mm	Tolerance MAX. mm	MIN. mm
6	120	0	-0.050



## Stude type with eccentric collar

Basic bearing number	G*		BD		Ecc. Eccentricity	Recommended housing bore dia.
	+ 0.05	- 0.15	mm			
	mm	MIN.	MAX.		mm	mm
16	7	8.964	9.000		0.5	9.050
19	9	10.957	11.000		0.5	11.050
22	10	12.957	13.000		0.5	13.050
22A	10	12.957	13.000		0.5	13.050
26	10	12.957	13.000		0.5	13.050
26A	10	12.957	13.000		0.5	13.050
30	11	14.957	15.000		0.5	15.050
32	11	14.957	15.000		0.5	15.050
35	14	19.948	20.000		1.0	20.050
40	16	21.948	22.000		1.0	22.050
40A	16	21.948	22.000		1.0	22.050
47	18	23.948	24.000		1.0	24.050
47A	18	23.948	24.000		1.0	24.050
52	18	23.948	24.000		1.0	24.050
52A	18	23.948	24.000		1.0	24.050
62	22	27.948	28.000		1.0	28.050
62A	22	27.948	28.000		1.0	28.050
72	22	27.948	28.000		1.0	28.050
72A	22	27.948	28.000		1.0	28.050
80	29	34.938	35.000		1.5	35.050
85	29	34.938	35.000		1.5	35.050
90	29	34.938	35.000		1.5	35.050

\* For positive clamping. housing thickness should be 0.3 mm greater than G dimension.





## Interchangeability charts

### Unsealed metric CAMROL bearings stude type

McGill		INA	SKF	NTN		IKO	THK
cage	full complement	cage			full complement	cage	full complement
MCFR 13	-	-			-	CF 5	-
MCFR 16	MCF 16	KR-16			KRV-16	CF 6 R	CF 6 VR
MCFR 19	MCF 19	KR-19			KRV-19	CF 8 R	CF 8 VR
MCFR 22	MCF 22	KR-22			KRV-22	-	-
MCFR 26	MCF 26	KR-26			KRV-26	-	-
MCFR 30	MCF 30	KR-30			KRV-30	CF 12 R	CF 12 VR
MCFR 32	MCF 32	KR-32			KRV-32	CF 12-1 R	CF 12-1 VR
MCFR 35	MCF 35	KR-35			KRV-35	CF 16 R	CF 16 VR
MCFR 40	MCF 40	KR-40			KRV-40	-	-
MCFR 47	MCF 47	KR-47			KRV-47	-	-
MCFR 52	MCF 52	KR-52			KRV-52	-	-
MCFR 62	MCF 62	KR-62			KRV-62	-	-
MCFR 72	MCF 72	KR-72			KRV-72	-	-
MCFR 80	MCF 80	KR-80			KRV-80	CF 30 R	CF 30 VR
MCFR 85	MCF 85	KR-85			-	CF 30-1 R	CF 30-1 VR
MCFR 90	MCF 90	KR-90			KRV-90	CF 30-2 R	CF 30-2 VR

### Unsealed metric CAMROL bearings yoke type

McGill		INA	SKF	NTN		IKO	THK
cage	full complement	cage			full complement	cage	full complement
MCYRR 5	MCYR 5	NATR-5			NATV-5	NART-5R	NART-5VR
MCYRR 6	MCYR 6	NATR-6			NATV-6	NART-6R	NART-6VR
MCYRR 8	MCYR 8	NATR-8			NATV-8	NART-8R	NART-8VR
MCYRR 10	MCYR 10	NATR-10			NATV-10	NART-10R	NART-10VR
MCYRR 12	MCYR 12	NATR-12			NATV-12	NART-12R	NART-12VR
MCYRR 15	MCYR 15	NATR-15			NATV-15	NART-15R	NART-15VR
MCYRR 17	MCYR 17	NATR-17			NATV-17	NART-17R	NART-17VR
MCYRR 20	MCYR 20	NATR-20			NATV-20	NART-20R	NART-20VR
MCYRR 25	MCYR 25	NATR-25			NATV-25	NART-25R	NART-25VR
MCYRR 30	MCYR 30	NATR-30			NATV-30	NART-30R	NART-30VR
MCYRR 35	MCYR 35	NATR-35			NATV-35	NART-35R	NART-35VR
MCYRR 40	MCYR 40	NATR-40			NATV-40	NART-40R	NART-40VR
MCYRR 45	MCYR 45	NATR-45			-	NART-45R	NART-45VR
MCYRR 50	MCYR 50	NATR-50			NATV-50	NART-50R	NART-50VR



### Metric CAMROL bearings stude type, full complement

McGill	INA	FAG	NTN
MCFD 35	NUKR-35		
MCFD 40	NUKR-40		
MCFD 47	NUKR-47		
MCFD 52	NUKR-52		
MCFD 62	NUKR-62		
MCFD 72	NUKR-72		
MCFD 80	NUKR-80		
MCFD 90	NUKR-90		

### Metric CAMROL bearings yoke type, full complement

McGill	INA	FAG	NTN
MCYRD 15	NUTR-15		NUTR-202
MCYRD 17	NUTR-17		NUTR-203
MCYRD 20	NUTR-20		NUTR-204
MCYRD 25	NUTR-25		NUTR-205
MCYRD 30	NUTR-30		NUTR-206
MCYRD 35	NUTR-35		NUTR-207
MCYRD 40	NUTR-40		NUTR-208
MCYRD 45	NUTR-45		NUTR-209
MCYRD 50	NUTR-50		NUTR-210

### Coding for Other Cam Follower and Yoke Roller Types

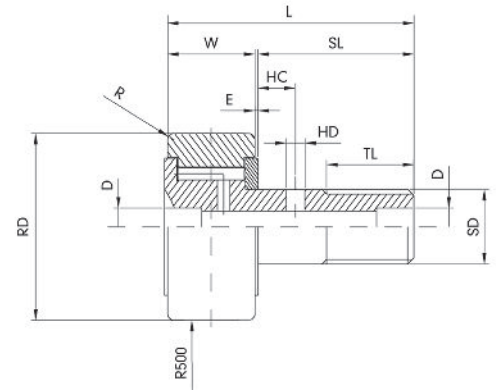
Optional features	McGill	INA	SKF	IKO	NTN	THK
Seals	-S	-PP		-UU	-LL	-UU
Cylindrical OD	-X	-X		ohne R	-X	ohne R
Hexagonal Hole *	-B	-SK		-B	-H	-A
Eccentric Collar *	E	E		E	-	-

\*) Not applicable for yoke roller types

MCF Series - full complement, crowned roller diameter  
 Serie MCFR - cage type, crowned roller diameter

For other versions add following suffix:

- S: sealing
  - B: broach slot <sup>(5)</sup>
  - X: cylindrical roller diameter
  - E: eccentric collar design
- (All features are to combine together)



Designation	RD	W	SD	SL	L	E	M	TL	HC	HD	D	R
		$+0.00 \text{ } ^{-0.12}$										
	mm	mm	mm	mm	mm	mm	mm	mm	mm	mm	mm	mm
MCFR 13	13	9	5	13,0	23	0,6	M 5x0,8	7,5	-	-	3,1	• 0,3
MCF 16	16	11	6	16,0	28	0,6	M 6x1	9,0	-	-	4,0	• 0,3
MCFR 16	16	11	6	16,0	28	0,6	M 6x1	9,0	-	-	4,0	• 0,3
MCF 19	19	11	8	20,0	32	0,6	M 8x1,25	11,0	-	-	4,0	0,3
MCFR 19	19	11	8	20,0	32	0,6	M 8x1,25	11,0	-	-	4,0	0,3
MCF 22	22	12	10	23,0	36	0,6	M 10x1	12,0	-	-	4,0	0,5
MCFR 22	22	12	10	23,0	36	0,6	M 10x1	12,0	-	-	4,0	0,5
MCF 26	26	12	10	23,0	36	0,6	M 10x1	12,0	-	-	4,0	0,5
MCFR 26	26	12	10	23,0	36	0,6	M 10x1	12,0	-	-	4,0	0,5
MCF 30	30	14	12	25,0	40	0,6	M 12x1,5	14,0	6	3	6,0	1,0
MCFR 30	30	14	12	25,0	40	0,6	M 12x1,5	14,0	6	3	6,0	1,0
MCF 32	32	14	12	25,0	40	0,6	M 12x1,5	14,0	6	3	6,0	1,0
MCFR 32	32	14	12	25,0	40	0,6	M 12x1,5	14,0	6	3	6,0	1,0
MCF 35	35	18	16	32,5	52	0,8	M 16x1,5	18,0	8	3	6,0	1,0
MCFR 35	35	18	16	32,5	52	0,8	M 16x1,5	18,0	8	3	6,0	1,0
MCF 40	40	20	18	36,5	58	0,8	M 18x1,5	19,0	8	3	6,0	1,5
MCFR 40	40	20	18	36,5	58	0,8	M 18x1,5	19,0	8	3	6,0	1,5
MCF 47	47	24	20	40,5	66	0,8	M 20x1,5	21,0	9	4	8,0	1,5
MCFR 47	47	24	20	40,5	66	0,8	M 20x1,5	21,0	9	4	8,0	1,5
MCF 52	52	24	20	40,5	66	0,8	M 20x1,5	21,0	9	4	8,0	1,5
MCFR 52	52	24	20	40,5	66	0,8	M 20x1,5	21,0	9	4	8,0	1,5
MCF 62	62	29	24	49,5	80	0,8	M 24x1,5	25,0	11	4	8,0	1,5
MCFR 62	62	29	24	49,5	80	0,8	M 24x1,5	25,0	11	4	8,0	1,5
MCF 72	72	29	24	49,5	80	0,8	M 24x1,5	25,0	11	4	8,0	2,0
MCFR 72	72	29	24	49,5	80	0,8	M 24x1,5	25,0	11	4	8,0	2,0
MCF 80	80	35	30	63,0	100	1,0	M 30x1,5	32,0	15	4	8,0	2,0
MCFR 80	80	35	30	63,0	100	1,0	M 30x1,5	32,0	15	4	8,0	2,0
MCF 85	85	35	30	63,0	100	1,0	M 30x1,5	32,0	15	4	8,0	2,0
MCFR 85	85	35	30	63,0	100	1,0	M 30x1,5	32,0	15	4	8,0	2,0
MCF 90	90	35	30	63,0	100	1,0	M 30x1,5	32,0	15	4	8,0	2,0
MCFR 90	90	35	30	63,0	100	1,0	M 30x1,5	32,0	15	4	8,0	2,0

- (1) Clamping torque is based on dry threads. If threads are lubricated, use half of value shown.
- (2) Since load, lubrication method, temperature and other factors affect the maximum operating speed, it is impossible to determine precise limiting speed. The listed limiting speeds are based on lightly loaded bearings having adequate lubrication and are listed only as a design guide. More frequent relubrication is required when operating at higher speeds. Actual bearing testing in the specific application should be conducted if the anticipated operating speed approaches the listed limiting speed.
- (3) Dynamic load should not exceed 50% of Dynamic Rating as a track roller.
- (4) Static load rating is based on stud strength or on internal rolling element load distribution stresses.
- (5) In this modification, relubrication through the flange end of the stud is not possible.
  - Sizes marked have no lube holes in threaded end of stud.

Clamping dia min mm	Clamping torque max (1) Nm	Limiting speed grease (4) min <sup>-1</sup>	Limiting speed oil (4) min <sup>-1</sup>	Housing bore dia min mm	Housing bore dia max mm	<b>Load ratings</b> <b>dynamic C (3)</b> <b>N</b>	<b>static C<sub>0</sub></b> <b>(2)</b> <b>N</b>	Weight  kg
9	2,2	20000	30000	5	5,012	<b>2060</b>	<b>1650</b>	0,010
11	3,0	13000	17000	6	6,012	<b>5790</b>	<b>2350</b>	0,019
11	3,0	19500	25000	6	6,012	<b>3430</b>	<b>2350</b>	0,028
13	8,0	10500	13500	8	8,015	<b>6670</b>	<b>5100</b>	0,029
13	8,0	15500	20000	8	8,015	<b>3730</b>	<b>4140</b>	0,028
15	15,0	9000	11500	10	10,015	<b>7850</b>	<b>10400</b>	0,044
15	15,0	13500	17500	10	10,015	<b>5200</b>	<b>6050</b>	0,043
15	15,0	9000	11500	10	10,015	<b>7850</b>	<b>10400</b>	0,056
15	15,0	13500	17500	10	10,015	<b>5200</b>	<b>6050</b>	0,055
19	22,0	6400	8300	12	12,018	<b>11080</b>	<b>15300</b>	0,089
19	22,0	9600	12500	12	12,018	<b>6860</b>	<b>8050</b>	0,087
19	22,0	6400	8300	12	12,018	<b>11080</b>	<b>15300</b>	0,099
19	22,0	9600	12500	12	12,018	<b>6860</b>	<b>8050</b>	0,096
24	57,0	4200	5500	16	16,018	<b>16970</b>	<b>28500</b>	0,171
24	57,0	6300	8000	16	16,018	<b>10890</b>	<b>15900</b>	0,166
27	85,0	3300	4300	18	18,018	<b>19420</b>	<b>32200</b>	0,248
27	85,0	5000	6400	18	18,018	<b>13340</b>	<b>19800</b>	0,245
30	118,0	2600	3400	20	20,021	<b>25690</b>	<b>46700</b>	0,393
30	118,0	3900	5000	20	20,021	<b>17750</b>	<b>29800</b>	0,387
30	118,0	2600	3400	20	20,021	<b>25690</b>	<b>46700</b>	0,455
30	118,0	3900	5000	20	20,021	<b>17750</b>	<b>29800</b>	0,453
38	216,0	2100	2700	24	24,021	<b>38840</b>	<b>65400</b>	0,810
38	216,0	3100	4100	24	24,021	<b>26830</b>	<b>46300</b>	0,801
38	216,0	2100	2700	24	24,021	<b>38840</b>	<b>65400</b>	1,048
38	216,0	3100	4100	24	24,021	<b>26830</b>	<b>46300</b>	1,039
51	441,0	1500	2000	30	30,021	<b>64140</b>	<b>102300</b>	1,642
51	441,0	2200	2900	30	30,021	<b>46680</b>	<b>87600</b>	1,621
51	441,0	1500	2000	30	30,021	<b>64140</b>	<b>102300</b>	1,814
51	441,0	2200	2900	30	30,021	<b>46680</b>	<b>87600</b>	1,793
51	441,0	1500	2000	30	30,021	<b>64140</b>	<b>102300</b>	2,002
51	441,0	2200	2900	30	30,021	<b>46680</b>	<b>87600</b>	1,981



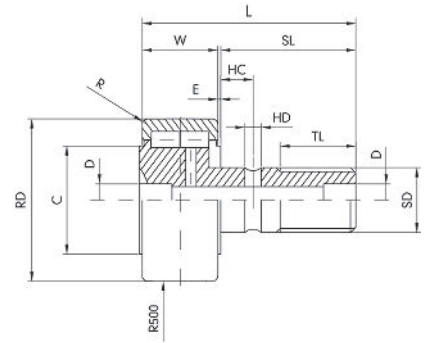
Serie MCFD - full complement of cylindrical rollers, shielded, crowned roller diameter

For other versions add following suffix:

-B: broach slot <sup>(5)</sup>

-X: cylindrical roller diameter

(All features are to combine together)



Designation	RD	W	SD	SL	L	E	M	TL	HC	HD	D	R
		$+0.00 \text{ } ^{-0.12}$										
	mm	mm	mm	mm	mm	mm	mm	mm	mm	mm	mm	mm
MCFD 35	35	18	16	32,5	52	0,8	M 16x1,5	17	8	3	6	0,6
MCFD 40	40	20	18	26,5	58	0,8	M 18x1,5	19	8	3	6	1,0
MCFD 47	47	24	20	40,5	66	0,8	M 20x1,5	21	9	4	8	1,0
MCFD 52	52	24	20	40,5	66	0,8	M 20x1,5	21	9	4	8	1,0
MCFD 62	62	29	24	49,5	80	0,8	M 24x1,5	25	11	4	8	1,0
MCFD 72	72	29	24	49,5	80	0,8	M 24x1,5	25	11	4	8	1,1
MCFD 80	80	35	30	63,0	100	1,0	M 30x1,5	32	15	4	8	1,1
MCFD 90	90	35	30	63,0	100	1,0	M 30x1,5	32	15	4	8	1,1

- (1) Clamping torque is based on dry threads. If threads are lubricated, use half of value shown.
- (2) Since load, lubrication method, temperature and other factors affect the maximum operating speed, it is impossible to determine precise limiting speed. The listed limiting speeds are based on lightly loaded bearings having adequate lubrication and are listed only as a design guide. More frequent relubrication is required when operating at higher speeds. Actual bearing testing in the specific application should be conducted if the anticipated operating speed approaches the listed limiting speed.
- (3) Dynamic load should not exceed 50% of Dynamic Rating as a track roller.
- (4) Static load rating is based on stud strength or on internal rolling element load distribution stresses.
- (5) In this modification, relubrication through the flange end of the stud is not possible.



C	Clamping torque max (1) Nm	Limiting speed grease (4) min <sup>-1</sup>	Limiting speed oil (4) min <sup>-1</sup>	Housing bore dia min mm	Housing bore dia max mm	Load ratings dynamisch C (3) N	statisch C <sub>0</sub> (2) N	Weight kg
21	57	6500	8500	16	16,018	<b>16000</b>	<b>18000</b>	0,165
23	85	5500	7200	18	18,018	<b>18000</b>	<b>22000</b>	0,242
27	118	4200	5500	20	20,021	<b>27000</b>	<b>32000</b>	0,380
21	118	3400	4400	20	20,021	<b>30000</b>	<b>35000</b>	0,450
38	216	2600	3400	24	24,021	<b>41000</b>	<b>48000</b>	0,795
44	216	2100	2700	24	24,021	<b>46000</b>	<b>57000</b>	1,010
47	441	1800	2300	30	30,021	<b>67000</b>	<b>91000</b>	1,540
47	441	1800	2300	30	30,021	<b>67000</b>	<b>101000</b>	1,960



Serie MCYR - full complement, crowned roller diameter

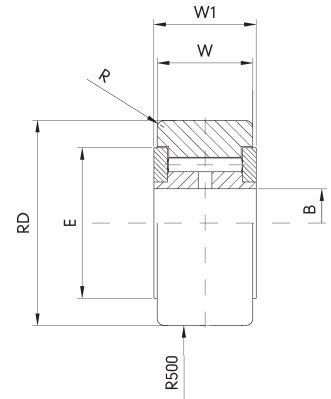
Serie MCYRR - cage type, crowned roller diameter

For other versions add following suffix:

-S: sealing

-X: cylindrical roller dia.

(All features are to combine together)



Designation	<b>B</b> max	B min	RD	W +0.00 -0.12	W <sub>1</sub> max	W <sub>1</sub> min	R	g <sub>6</sub> max. (1)	g <sub>6</sub> min. (1)	h <sub>6</sub> max. (1)
	mm	mm	mm	mm	mm	mm	mm	mm	mm	mm
MCYR 5	5	4,992	16	11	12	11,82	0,3	4,996	4,988	5
MCYRR 5	5	4,992	16	11	12	11,82	0,3	4,996	4,988	5
MCYR 6	6	5,992	19	11	12	11,82	0,3	5,996	5,988	6
MCYRR 6	6	5,992	19	11	12	11,82	0,3	5,996	5,988	6
MCYR 8	8	7,992	24	14	15	14,82	0,5	7,995	7,986	8
MCYRR 8	8	7,992	24	14	15	14,82	0,5	7,995	7,986	8
MCYR 10	10	9,992	30	14	15	14,82	1,0	9,995	9,986	10
MCYRR 10	10	9,992	30	14	15	14,82	1,0	9,995	9,986	10
MCYR 12	12	11,992	32	14	15	14,82	1,0	11,994	11,983	12
MCYRR 12	12	11,992	32	14	15	14,82	1,0	11,994	11,983	12
MCYR 15	15	14,992	35	18	19	18,79	1,0	14,994	14,983	15
MCYRR 15	15	14,992	35	18	19	18,79	1,0	14,994	14,983	15
MCYR 17	17	16,992	40	20	21	20,79	1,5	16,994	16,983	17
MCYRR 17	17	16,992	40	20	21	20,79	1,5	16,994	16,983	17
MCYR 20	20	19,990	47	24	25	24,79	1,5	19,993	19,980	20
MCYRR 20	20	19,990	47	24	25	24,79	1,5	19,993	19,980	20
MCYR 25	25	24,990	52	24	25	24,79	1,5	24,993	24,980	25
MCYRR 25	25	24,990	52	24	25	24,79	1,5	24,993	24,980	25
MCYR 30	30	29,990	62	28	29	28,79	1,5	29,993	29,980	30
MCYRR 30	30	29,990	62	28	29	28,79	1,5	29,993	29,980	30
MCYR 35	35	34,988	72	28	29	28,79	2,0	34,991	34,975	35
MCYRR 35	35	34,988	72	28	29	28,79	2,0	34,991	34,975	35
MCYR 40	40	39,988	80	30	32	31,75	2,0	39,991	39,975	40
MCYRR 40	40	39,988	80	30	32	31,75	2,0	39,991	39,975	40
MCYR 45	45	44,988	85	30	32	31,75	2,0	44,991	44,975	45
MCYRR 45	45	44,988	85	30	32	31,75	2,0	44,991	44,975	45
MCYR 50	50	49,988	90	30	32	31,75	2,0	44,991	49,975	50
MCYRR 50	50	49,988	90	30	32	31,75	2,0	44,991	49,975	50

(1) For loose fit for light loads, use tolerance g6.

For light transition fit for medium loads, use tolerance h6.

For a tight fit and heavy loads, use ISO tolerance j6.

(2) Since load, lubrication method, temperature and other factors affect the maximum operating speed, it is impossible to determine precise limiting speed. The listed limiting speeds are based on lightly loaded bearings having adequate lubrication and are listed only as a design guide. More frequent relubrication is required when operating at higher speeds. Actual bearing testing in the specific application should be conducted if the anticipated operating speed approaches the listed limiting speed.

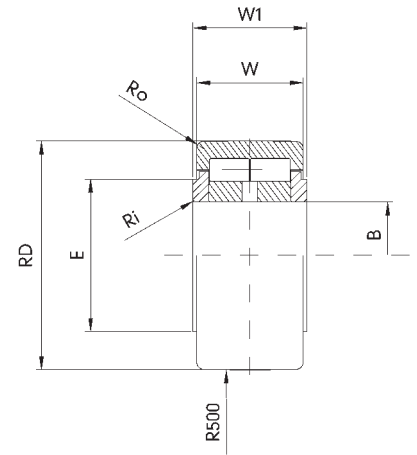
(3) Dynamic load should not exceed 50% of Dynamic Rating as a track roller.

h <sub>6</sub> min. (1)	Clamping dia E min.	Limiting speed grease (2)	Limiting speed oil (2)	Load ratings static C <sub>0</sub>	static C <sub>0</sub>	Weight
mm	mm	min <sup>-1</sup>	min <sup>-1</sup>	N	N	kg
4,992	11	13000	17000	5790	6900	0,014
4,992	11	19500	25000	3430	3380	0,011
5,992	13	10500	13500	6670	8760	0,021
5,992	13	15500	20000	3730	4090	0,018
7,991	16	8400	11000	9610	12600	0,043
7,991	16	12500	16000	5690	6450	0,040
9,991	19	6400	8300	11080	15300	0,062
9,991	19	9600	12500	6860	8050	0,060
11,989	21	5400	7000	12060	17400	0,099
11,989	21	8100	10500	7260	9120	0,067
14,989	24	4200	5400	16970	28500	0,105
14,989	24	6300	8200	10890	15900	0,102
16,989	27	3300	4300	19420	32200	0,153
16,989	27	4900	6400	13340	19700	0,150
19,987	30	2600	3400	25690	48000	0,255
19,987	30	3900	5000	17750	29800	0,252
24,987	36	2200	2900	28440	58700	0,284
24,987	36	3300	4300	19120	34900	0,278
29,987	44	1700	2200	41480	89000	0,476
29,987	44	2500	3200	28430	54300	0,465
34,984	52	1500	1900	47370	100000	0,649
34,984	52	2200	2800	32460	60900	0,636
39,984	58	1300	1700	58350	123000	0,845
39,984	58	1900	2400	41480	787000	0,825
44,984	63	1200	1500	61490	136000	0,924
44,984	63	1800	2300	42760	84100	0,901
49,984	68	1100	1400	64330	148000	0,948
49,984	68	1600	2000	45600	94800	0,960



Serie MCYRD - full complement of cylindrical rollers, shielded, crowned roller diameter

For other versions add following suffix:  
-X: cylindrical roller diameter



Designation	<b>B</b> <b>max</b>	B min	RD	W <small>+0,00 -0,12</small>	W <sub>1</sub> max	W <sub>1</sub> min	Ro	Ri
	<b>mm</b>	mm	mm	mm	mm	mm	mm	mm
MCYRD 15	<b>15</b>	14,992	35	18	19	18,79	0,6	0,3
MCYRD 17	<b>17</b>	16,992	40	20	21	20,79	1,0	0,3
MCYRD 20	<b>20</b>	19,990	47	24	25	24,79	1,0	0,3
MCYRD 25	<b>25</b>	24,990	52	24	25	24,79	1,0	0,3
MCYRD 30	<b>30</b>	29,990	62	28	29	28,79	1,0	0,3
MCYRD 35	<b>35</b>	34,988	72	28	29	28,79	1,1	0,6
MCYRD 40	<b>40</b>	39,988	80	30	32	31,75	1,1	0,6
MCYRD 45	<b>45</b>	44,988	85	30	32	31,72	1,1	0,6
MCYRD 50	<b>50</b>	49,998	90	30	32	31,75	1,1	0,6

- (1) Dynamic load should not exceed 50% of Dynamic Rating as a track roller.
- (2) Since load, lubrication method, temperature and other factors affect the maximum operating speed, it is impossible to determine precise limiting speed. The listed limiting speeds are based on lightly loaded bearings having adequate lubrication and are listed only as a design guide. More frequent relubrication is required when operating at higher speeds. Actual bearing testing in the specific application should be conducted if the anticipated operating speed approaches the listed limiting speed.





E	Load ratings dynamic C (2) N	static C <sub>0</sub> N	Limiting speed (1) min <sup>-1</sup>	Weight kg
20	16000	18000	6500	0,099
22	18000	22000	5500	0,147
27	27000	32000	4200	0,245
31	30000	35000	3400	0,281
38	41000	47000	2600	0,465
44	46000	57000	2100	0,630
51	64000	71000	1600	0,816
55	67000	72000	1400	0,883
60	71000	77000	1300	0,950



Standard

P. 7-2

Flange

P. 7-6

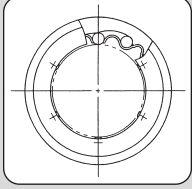
Topball

P. 7-14

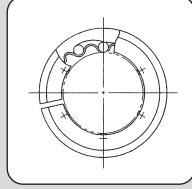
Block

P. 7-16

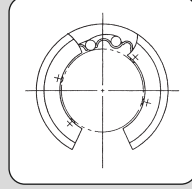
closed



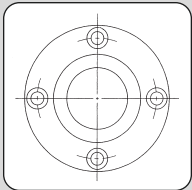
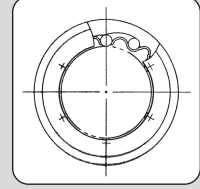
clearance adjustable



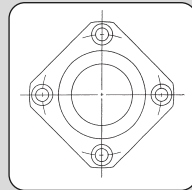
open



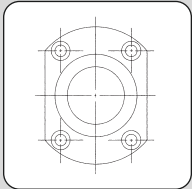
double-wide



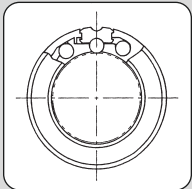
round flange  
round flange  
double-wide  
center mount  
round flange



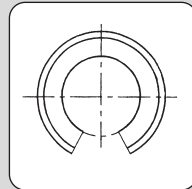
square flange  
square flange  
double-wide  
center mount  
square flange



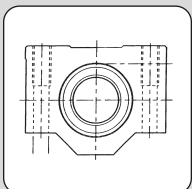
two side  
cut flange



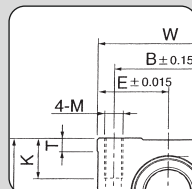
closed



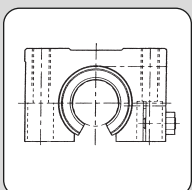
open



block  
double-wide block



open block  
double-wide  
open block



open block  
with adjustable clearance  
double-wide open block  
with adjustable clearance



Standard

**KB**

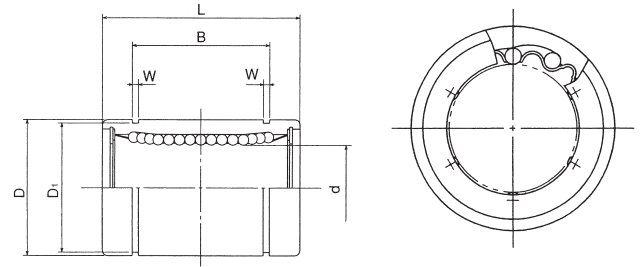
closed

KB = steel with steel retainer without seal

G = resin retainer

U = seal on one side

UU = seals on both sides



Designation	d	Tolerance		D	Tolerance		L	Tolerance	
		d +	d -		D +	D -		L +	L -
	mm	µm	µm	mm	µm	µm	mm	mm	mm
KB 5      KB 5G	5	8	0	12	0	-8	22	0	-0.20
KB 8      KB 8G	8	8	0	16	0	-8	25	0	-0.20
KB 10     KB 10G	10	8	0	19	0	-9	29	0	-0.20
KB 12     KB 12G	12	8	0	22	0	-9	32	0	-0.20
KB 16     KB 16G	16	9	-1	26	0	-9	36	0	-0.20
KB 20     KB 20G	20	9	-1	32	0	-11	45	0	-0.30
KB 25     KB 25G	25	11	-1	40	0	-11	58	0	-0.30
KB 30     KB 30G	30	11	-1	47	0	-11	68	0	-0.30
KB 40     KB 40G	40	13	-1	62	0	-13	80	0	-0.30
KB 50     KB 50G	50	13	-2	75	0	-13	100	0	-0.30
KB 60     KB 60G	60	13	-2	90	0	-15	125	0	-0.40

**KB-AJ**

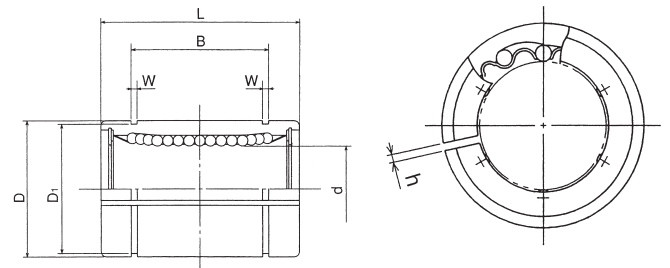
clearance adjustable

KB = steel with steel retainer without seal

G = resin retainer

U = seal on one side

UU = seals on both sides



Designation	d	Tolerance		D	Tolerance		L	Tolerance	
		d +	d -		D +	D -		L +	L -
	mm	µm	µm	mm	µm	µm	mm	mm	mm
KB 5G-AJ	5	8	0	12	0	-8	22	0	-0.20
KB 8G-AJ	8	8	0	16	0	-8	25	0	-0.20
KB 10G-AJ	10	8	0	19	0	-9	29	0	-0.20
KB 12-AJ    KB 12G-AJ	12	8	0	22	0	-9	32	0	-0.20
KB 16-AJ    KB 16G-AJ	16	9	-1	26	0	-9	36	0	-0.20
KB 20-AJ    KB 20G-AJ	20	9	-1	32	0	-11	45	0	-0.30
KB 25-AJ    KB 25G-AJ	25	11	-1	40	0	-11	58	0	-0.30
KB 30-AJ    KB 30G-AJ	30	11	-1	47	0	-11	68	0	-0.30
KB 40-AJ    KB 40G-AJ	40	13	-1	62	0	-13	80	0	-0.30
KB 50-AJ    KB 50G-AJ	50	13	-2	75	0	-13	100	0	-0.30
KB 60-AJ    KB 60G-AJ	60	13	-2	90	0	-15	125	0	-0.40

B	Tolerance		W	D <sub>1</sub>	Eccentricity	Radial clearance max.	Load rating		Weight
	B +	B -					dynamic C	static C <sub>0</sub>	
mm	mm	mm	mm	mm	μm	μm	N	N	g
14.5	0	-0.2	1.10	11.5	12	-3	206	265	11
16.5	0	-0.2	1.10	15.2	12	-3	265	402	22
22.0	0	-0.2	1.30	18.0	12	-4	372	549	36
22.9	0	-0.2	1.30	21.0	12	-4	510	784	45
24.9	0	-0.2	1.30	24.9	12	-4	578	892	60
31.5	0	-0.3	1.60	30.5	15	-6	862	1370	102
44.1	0	-0.3	1.85	38.0	15	-6	980	1570	235
52.1	0	-0.3	1.85	44.5	15	-8	1570	2740	360
60.6	0	-0.3	2.15	59.0	17	-8	2160	4020	770
77.6	0	-0.3	2.65	72.0	17	-13	3820	7940	1250
101.7	0	-0.4	3.15	86.5	20	-13	4700	9800	2220



B	Tolerance		W	D <sub>1</sub>	h	Eccentricity	Load rating		Weight
	B +	B -					dynamic C	static C <sub>0</sub>	
mm	mm	mm	mm	mm	mm	μm	N	N	g
14.5	0	-0.2	1.10	11.5	1.0	12	206	265	10.0
16.5	0	-0.2	1.10	15.2	1.0	12	265	402	19.5
22.0	0	-0.2	1.30	18.0	1.0	12	372	549	29.0
22.9	0	-0.2	1.30	21.0	1.5	12	510	784	44.0
24.9	0	-0.2	1.30	24.9	1.5	12	578	892	59.0
31.5	0	-0.3	1.60	30.5	2.0	15	862	1370	100.0
44.1	0	-0.3	1.85	38.0	2.0	15	980	1570	230.0
52.1	0	-0.3	1.85	44.5	2.0	15	1570	2740	355.0
60.6	0	-0.3	2.15	59.0	3.0	17	2160	4020	758.0
77.6	0	-0.3	2.65	72.0	3.0	17	3820	7940	1230.0
101.7	0	-0.4	3.15	86.5	3.0	20	4700	9800	2170.0

**KB-OP**

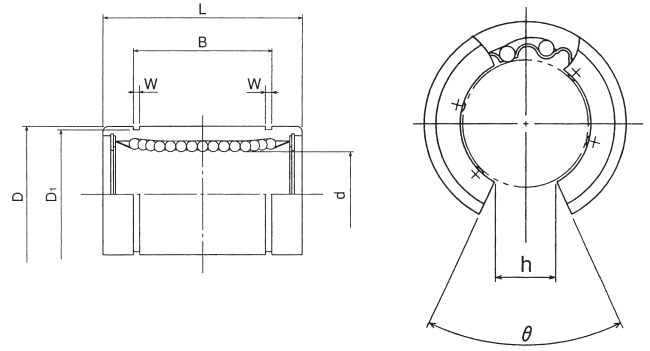
open

KB = steel with steel retainer without seal

G = resin retainer

U = seal on one side

UU = seals on both sides



Designation	d	Tolerance		D	Tolerance		L	Tolerance	
		d +	d -		D +	D -		L +	L -
	mm	µm	µm	mm	µm	µm	mm	mm	mm
KB 12-OP KB 12G-OP	12	8	0	22	0	-9	32	0	-0.20
KB 16-OP KB 16G-OP	16	9	-1	26	0	-9	36	0	-0.20
KB 20-OP KB 20G-OP	20	9	-1	32	0	-11	45	0	-0.30
KB 25-OP KB 25G-OP	25	11	-1	40	0	-11	58	0	-0.30
KB 30-OP KB 30G-OP	30	11	-1	47	0	-11	68	0	-0.30
KB 40-OP KB 40G-OP	40	13	-1	62	0	-13	80	0	-0.30
KB 50-OP KB 50G-OP	50	13	-2	75	0	-13	100	0	-0.30
KB 60-OP KB 60G-OP	60	13	-2	90	0	-15	125	0	-0.40

**KB-W**

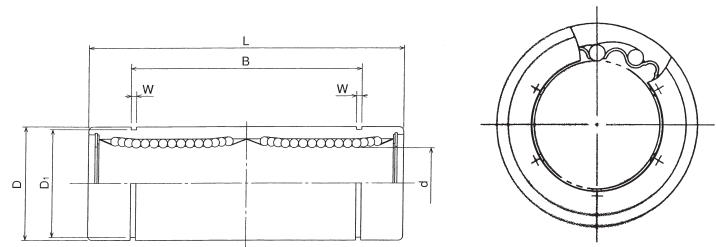
double-wide

KB = steel with steel retainer without seal

G = resin retainer

U = seal on one side

UU = seals on both sides



Designation	d	Tolerance		D	Tolerance		L	Tolerance	
		d +	d -		D +	D -		L +	L -
	mm	µm	µm	mm	µm	µm	mm	mm	mm
KB 8W KB 8GW	8	9	-1	16	0	-9	45	0	-0.3
KB 12W KB 12GW	12	9	-1	22	0	-11	57	0	-0.3
KB 16W KB 16GW	16	11	-1	26	0	-11	70	0	-0.3
KB 20W KB 20GW	20	11	-1	32	0	-13	80	0	-0.3
KB 25W KB 25GW	25	13	-2	40	0	-13	112	0	-0.4
KB 30W KB 30GW	30	13	-2	47	0	-13	123	0	-0.4
KB 40W KB 40GW	40	13	-4	62	0	-9	154	0	-0.4
KB 50W KB 50GW	50	13	-4	75	0	-9	192	0	-0.4
KB 60W KB 60GW	60	13	-4	90	0	-11	211	0	-0.4

B	Tolerance		W	D <sub>1</sub>	h	θ	Eccentricity	Load rating		Weight
	B +	B -						dynamic C	static C <sub>0</sub>	
mm	mm	mm	mm	mm	mm	°	μm	N	N	g
22.9	0	-0.2	1.30	21.0	12	-7	410	<b>590</b>	<b>41</b>	35
24.9	0	-0.2	1.30	24.9	12	-7	770	<b>1170</b>	<b>65</b>	48
31.5	0	-0.3	1.60	30.5	15	-9	860	<b>1370</b>	<b>91</b>	84
44.1	0	-0.3	1.85	38.0	15	-9	980	<b>1570</b>	<b>215</b>	195
52.1	0	-0.3	1.85	44.5	15	-9	1560	<b>2740</b>	<b>325</b>	309
60.6	0	-0.3	2.15	59.0	17	-13	2150	<b>4010</b>	<b>705</b>	665
77.6	0	-0.3	2.65	72.0	17	-13	3820	<b>7930</b>	<b>1130</b>	1080
101.7	0	-0.4	3.15	86.5	20	-16	4700	<b>9990</b>	<b>2220</b>	1900



B	Tolerance		W	D <sub>1</sub>	Eccentricity	Load rating		Rated static moment Mo	Weight
	B +	B -				dynamic C	static C <sub>0</sub>		
mm	mm	mm	mm	mm	μm	N	N	Nm	g
33.0	0	-0.3	1.10	15.2	15	<b>421</b>	<b>804</b>	4.3	40
45.8	0	-0.3	1.30	21.0	15	<b>813</b>	<b>1570</b>	11.7	80
49.8	0	-0.3	1.30	24.9	15	<b>921</b>	<b>1780</b>	14.2	115
61.0	0	-0.3	1.60	30.5	17	<b>1370</b>	<b>2740</b>	25.0	180
82.0	0	-0.4	1.85	38.0	17	<b>1570</b>	<b>3140</b>	44.0	430
104.2	0	-0.4	1.85	44.5	17	<b>2500</b>	<b>5490</b>	78.9	615
121.2	0	-0.4	2.15	59.0	20	<b>3430</b>	<b>8040</b>	147.0	1400
155.2	0	-0.4	2.65	72.0	20	<b>6080</b>	<b>15900</b>	396.0	2320
170.0	0	-0.4	3.15	86.5	25	<b>7550</b>	<b>20000</b>	487.0	3920

## Flange

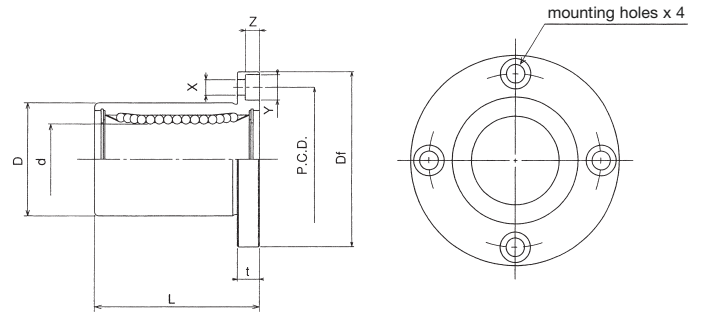
### KBF

round flange

KBF = steel with steel retainer without seal

G = resin retainer

UU = seals on both sides



Designation	d	Tolerance		D	Tolerance		L	Tolerance	
		d +	d -		D +	D -		L +	L -
	mm	µm	µm	mm	µm	µm	mm	mm	mm
KBF 8     KBF 8G	8	8	0	16	0	-13	25	0.3	-0.3
KBF 12    KBF 12G	12	8	0	22	0	-16	32	0.3	-0.3
KBF 16    KBF 16G	16	9	-1	28	0	-16	36	0.3	-0.3
KBF 20    KBF 20G	20	9	-1	32	0	-19	45	0.3	-0.3
KBF 25    KBF 25G	25	11	-1	40	0	-19	58	0.3	-0.3
KBF 30    KBF 30G	30	11	-1	47	0	-19	66	0.3	-0.3
KBF 40    KBF 40G	40	13	-2	62	0	-22	80	0.3	-0.3
KBF 50    KBF 50G	50	13	-2	75	0	-22	100	0.3	-0.3
KBF 60    KBF 60G	60	13	-2	90	0	-25	125	0.3	-0.3

Outer cylinder surface treatment on request

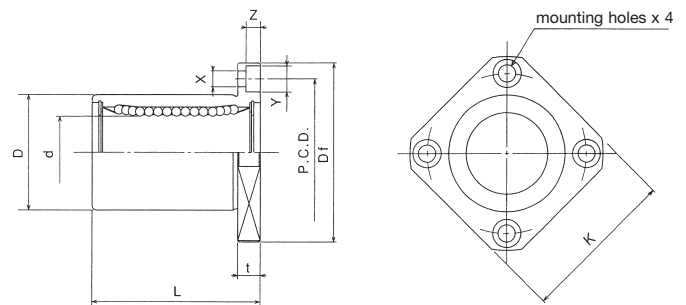
### KBK

square flange

KBK = steel with steel retainer without seal

G = resin retainer

UU = seals on both sides



Designation	d	Tolerance		D	Tolerance		L	Tolerance	
		d +	d -		D +	D -		L +	L -
	mm	µm	µm	mm	µm	µm	mm	mm	mm
KBK 8     KBK 8G	8	8	0	16	0	-13	25	0.3	-0.3
KBK 12    KBK 12G	12	8	0	22	0	-16	32	0.3	-0.3
KBK 16    KBK 16G	16	9	-1	28	0	-16	36	0.3	-0.3
KBK 20    KBK 20G	20	9	-1	32	0	-19	45	0.3	-0.3
KBK 25    KBK 25G	25	11	-1	40	0	-19	58	0.3	-0.3
KBK 30    KBK 30G	30	11	-1	47	0	-19	66	0.3	-0.3
KBK 40    KBK 40G	40	13	-2	62	0	-22	80	0.3	-0.3
KBK 50    KBK 50G	50	13	-2	75	0	-22	100	0.3	-0.3
KBK 60    KBK 60G	60	13	-2	90	0	-25	125	0.3	-0.3

Outer cylinder surface treatment on request



Df	t	P.C.D.	XxYxZ	Eccentricity	Perpendicularity	Load rating dynamic C	static C <sub>0</sub>	Weight
mm	mm	mm	mm	μm	μm	N	N	g
32	5	24	3.5 x 6 x 3.1	12	12	<b>265</b>	<b>402</b>	41.0
42	6	32	4.5 x 7.5 x 4.1	12	12	<b>510</b>	<b>784</b>	80.0
46	6	36	4.5 x 7.5 x 4.1	12	12	<b>578</b>	<b>892</b>	103.0
54	8	43	5.5 x 9 x 5.1	15	15	<b>862</b>	<b>1370</b>	182.0
62	8	51	5.5 x 9 x 5.1	15	15	<b>980</b>	<b>1570</b>	335.0
76	10	62	6.6 x 11 x 6.1	15	15	<b>1570</b>	<b>2740</b>	560.0
98	13	80	9 x14 x 8.1	17	17	<b>2160</b>	<b>4020</b>	1175.0
112	13	94	9 x14 x 8.1	17	17	<b>3820</b>	<b>7940</b>	1745.0
134	18	112	11 x 17 x 11.1	20	20	<b>4700</b>	<b>9800</b>	3220.0



Df	K	t	P.C.D.	XxYxZ	Eccentricity	Perpendicularity	Load rating dynamic C	static C <sub>0</sub>	Weight
mm	mm	mm	mm	mm	μm	μm	N	N	g
32	25	5	24	3.5 x 6 x 3.1	12	12	<b>265</b>	<b>402.0</b>	41
42	32	6	32	4.5 x 7.5 x 4.1	12	12	<b>510</b>	<b>784.0</b>	80
46	35	6	36	4.5 x 7.5 x 4.1	12	12	<b>578</b>	<b>892.0</b>	103
54	42	8	43	5.5 x 9 x 5.1	15	15	<b>862</b>	<b>1370.0</b>	182
62	50	8	51	5.5 x 9 x 5.1	15	15	<b>980</b>	<b>1570.0</b>	335
76	60	10	62	6.6 x 11 x 6.1	15	15	<b>1570</b>	<b>2740.0</b>	560
98	75	13	80	9 x14 x 8.1	17	17	<b>2160</b>	<b>4020.0</b>	1175
112	88	13	94	9 x14 x 8.1	17	17	<b>3820</b>	<b>7940.0</b>	1745
134	106	18	112	11 x 17 x 11.1	20	20	<b>4700</b>	<b>9800.0</b>	3220

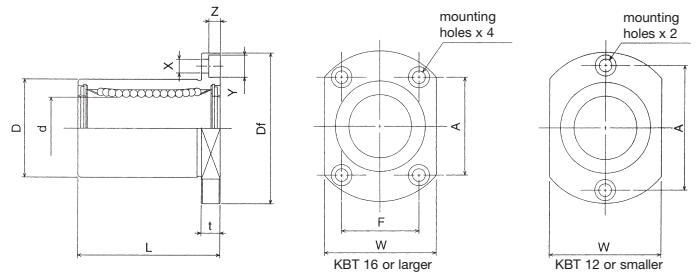
## KBT

two side cut flange

KBT = steel with steel retainer without seal

G = resin retainer

UU = seals on both sides (standard)



Designation	d	Tolerance		D	Tolerance		L	Tolerance	
		d +	d -		D +	D -		L +	L -
	mm	µm	µm	mm	µm	µm	mm	mm	mm
KBT 8UU KBT 8GUU	8	8	0	16	0	-13	25	0.3	-0.3
KBT 12UU KBT 12GUU	12	8	0	22	0	-16	32	0.3	-0.3
KBT 16UU KBT 16GUU	16	9	-1	26	0	-16	36	0.3	-0.3
KBT 20UU KBT 20GUU	20	9	-1	32	0	-19	45	0.3	-0.3
KBT 25UU KBT 25GUU	25	11	-1	40	0	-19	58	0.3	-0.3
KBT 30UU KBT 30GUU	30	11	-1	47	0	-19	68	0.3	-0.3

Outer cylinder surface treatment on request

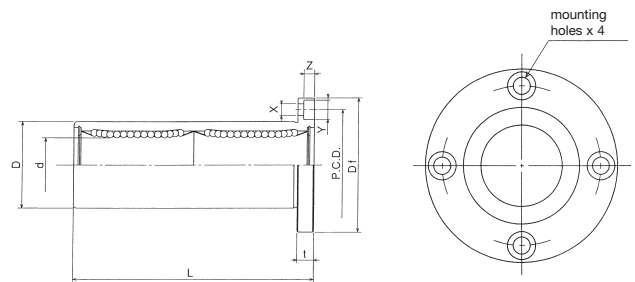
## KBF-W

round flange double-wide

KBF = steel with steel retainer without seal

G = resin retainer

UU = seals on both sides



Designation	d	Tolerance		D	Tolerance		L	Tolerance	
		d +	d -		D +	D -		L +	L -
	mm	µm	µm	mm	µm	µm	mm	mm	mm
KBF 8W KBF 8GW	8	9	0	16	0	-13	45	0.3	-0.3
KBF 12W KBF 12GW	12	9	0	22	0	-16	57	0.3	-0.3
KBF 16W KBF 16GW	16	11	-1	28	0	-16	70	0.3	-0.3
KBF 20W KBF 20GW	20	11	-1	32	0	-19	80	0.3	-0.3
KBF 25W KBF 25GW	25	13	-2	40	0	-19	112	0.3	-0.3
KBF 30W KBF 30GW	30	13	-2	47	0	-19	123	0.3	-0.3
KBF 40W KBF 40GW	40	16	-4	62	0	-22	154	0.3	-0.3
KBF 50W KBF 50GW	50	16	-4	75	0	-22	192	0.3	-0.3
KBF 60W KBF 60GW	60	16	-4	90	0	-25	211	0.3	-0.3

Outer cylinder surface treatment on request

Df	W	t	A	F	XxYxZ	Eccentricity	Perpendicularity	Load rating dynamic C	static C <sub>0</sub>	Weight
mm	mm	mm	mm	mm	mm	μm	μm	N	N	g
32	22	5	24	•	3.5 x 6 x 3.1	12	12	<b>265.0</b>	<b>402</b>	37
42	28	6	32	•	4.5 x 7.5 x 4.1	12	12	<b>510.0</b>	<b>784</b>	73
46	32	6	28	22	4.5 x 7.5 x 4.2	12	12	<b>578.0</b>	<b>892</b>	90
54	38	8	36	24	5.5 x 9 x 5.1	15	15	<b>862.0</b>	<b>1370</b>	155
62	46	8	40	32	5.5 x 9 x 5.1	15	15	<b>980.0</b>	<b>1570</b>	297
76	53	10	48	38	6.6 x 11 x 6.1	15	15	<b>1570.0</b>	<b>2740</b>	471



Df	t	P.C.D.	XxYxZ	Eccentricity	Perpendicularity	Load rating dynamic C	static C <sub>0</sub>	Weight
mm	mm	mm	mm	μm	μm	N	N	g
32	5	24	3.5 x 6.5 x 3.1	15	15	<b>421</b>	<b>804</b>	59
42	6	32	4.5 x 8 x 4.1	15	15	<b>813</b>	<b>1570</b>	110
46	6	36	4.5 x 8 x 4.1	15	15	<b>921</b>	<b>1780</b>	160
54	8	43	5.5 x 9.5 x 5.1	17	17	<b>1370</b>	<b>2740</b>	260
62	8	51	5.5 x 9.5 x 5.1	17	17	<b>1570</b>	<b>3140</b>	540
76	10	62	6.6 x 11 x 6.1	17	17	<b>2500</b>	<b>5490</b>	815
98	13	80	9 x 14 x 8.1	20	20	<b>3430</b>	<b>8040</b>	1805
112	13	94	9 x 14 x 8.1	20	20	<b>6080</b>	<b>15900</b>	2820
134	18	112	11 x 17.5 x 11.1	25	25	<b>7550</b>	<b>20000</b>	4920

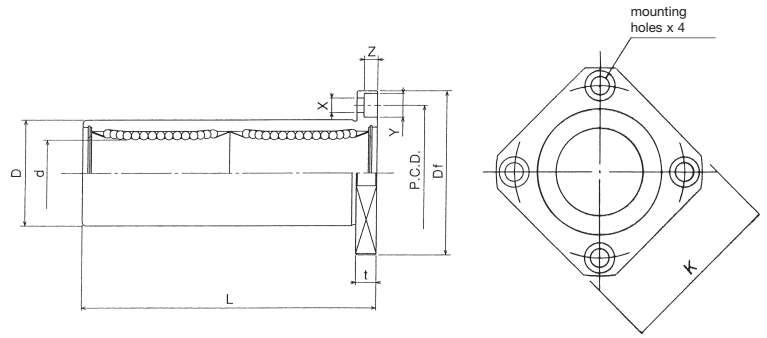
## KBK-W

square flange double-wide

KBK = steel with steel retainer without seal

G = resin retainer

UU = seals on both sides



Designation	d	Tolerance		D	Tolerance		L	Tolerance	
		d +	d -		D +	D -		L +	L -
	mm	µm	µm	mm	µm	µm	mm	mm	mm
KBK 8W KBK 8GW	8	9	-1	16	0	-13	45	0.3	-0.3
KBK 12W KBK 12GW	12	9	-1	22	0	-16	57	0.3	-0.3
KBK 16W KBK 16GW	16	11	-1	28	0	-16	70	0.3	-0.3
KBK 20W KBK 20GW	20	11	-1	32	0	-19	80	0.3	-0.3
KBK 25W KBK 25GW	25	13	-2	40	0	-19	112	0.3	-0.3
KBK 30W KBK 30GW	30	13	-2	47	0	-19	123	0.3	-0.3
KBK 40W KBK 40GW	40	16	-4	62	0	-22	151	0.3	-0.3
KBK 50W KBK 50GW	50	16	-4	75	0	-22	192	0.3	-0.3
KBK 60W KBK 60GW	60	16	-4	90	0	-25	211	0.3	-0.3

Oberflächenbehandlung Außenzylinder auf Anfrage

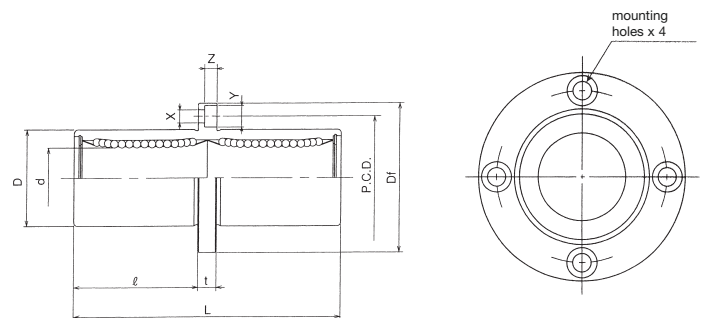
## KBFC

center mount round flange

KBFC = steel with steel retainer without seal

G = resin retainer

UU = seals on both sides



Designation	d	Tolerance		D	Tolerance		L	Tolerance	
		d +	d -		D +	D -		L +	L -
	mm	µm	µm	mm	µm	µm	mm	mm	mm
KBFC 8 KBFC 8G	8	9	-1	16	0	-13	46	0.3	-0.3
KBFC 12 KBFC 12G	12	9	-1	22	0	-16	61	0.3	-0.3
KBFC 16 KBFC 16G	16	11	-1	26	0	-16	68	0.3	-0.3
KBFC 20 KBFC 20G	20	11	-1	32	0	-19	80	0.3	-0.3
KBFC 25 KBFC 25G	25	13	-2	40	0	-19	112	0.3	-0.3
KBFC 30 KBFC 30G	30	13	-2	47	0	-19	123	0.3	-0.3
KBFC 40 KBFC 40G	40	16	-4	62	0	-22	154	0.3	-0.3
KBFC 50 KBFC 50G	50	16	-4	75	0	-22	192	0.3	-0.3
KBFC 60 KBFC 60G	60	16	-4	90	0	-25	211	0.3	-0.3

Outer cylinder surface treatment on request

Df	K	t	P.C.D.	XxYxZ	Eccentricity	Perpendi- cularity	Load rating dynamic C	static C <sub>0</sub>	Weight
mm	mm	mm	mm	mm	µm	µm	N	N	g
32	25	5	24	3.5 x 6.5 x 3.1	15	15	<b>421</b>	<b>804</b>	51
42	32	6	32	4.5 x 8 x 4.1	15	15	<b>813</b>	<b>1570</b>	90
46	35	6	36	4.5 x 8 x 4.1	15	15	<b>921</b>	<b>1780</b>	135
54	42	8	43	5.5 x 9.5 x 5.1	17	17	<b>1370</b>	<b>2740</b>	225
62	50	8	51	5.5 x 9.5 x 5.1	17	17	<b>1570</b>	<b>3140</b>	500
76	60	10	62	6.6 x 11 x 6.1	17	17	<b>2500</b>	<b>5490</b>	720
98	75	13	80	9 x14 x 8.1	20	20	<b>3430</b>	<b>8040</b>	1600
112	88	13	94	9 x14 x 8.1	20	20	<b>6080</b>	<b>15900</b>	2620
134	105	18	112	11 x 17 x 11.1	25	25	<b>7550</b>	<b>20000</b>	4480



l	Df	t	P.C.D.	XxYxZ	Eccentricity	Perpendi- cularity	Load rating dynamic C	static C <sub>0</sub>	Weight
mm	mm	mm	mm	mm	µm	µm	N	N	g
20.5	32	5	24	3.5 x 6.5 x 3.1	15	15	<b>421</b>	<b>804</b>	59
27.5	42	6	32	4.5 x 8 x 4.1	15	15	<b>813</b>	<b>1570</b>	110
31.0	46	6	36	4.5 x 8 x 4.1	15	15	<b>921</b>	<b>1780</b>	160
36.0	54	8	43	5.5 x 9.5 x 5.1	17	17	<b>1370</b>	<b>2740</b>	260
52.0	62	8	51	5.5 x 9.5 x 5.1	17	17	<b>1570</b>	<b>3140</b>	540
56.5	76	10	62	6.6 x 11 x 6.1	17	17	<b>2500</b>	<b>5490</b>	815
69.0	98	13	80	9 x14 x 8.1	20	20	<b>3430</b>	<b>8040</b>	1805
89.5	112	13	94	9 x14 x 8.1	20	20	<b>6080</b>	<b>15900</b>	2820
95.5	134	18	112	11 x 17.5 x 11.1	25	25	<b>7550</b>	<b>20000</b>	4920

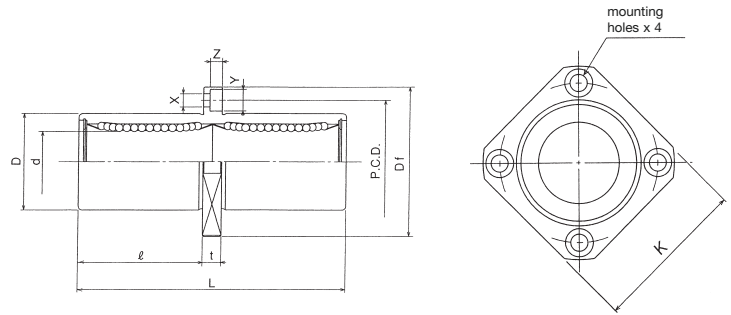
## KBKC

center mount square flange

KBKC = steel with steel retainer without seal

G = resin retainer

UU = seals on both sides



Designation		d	Tolerance d +	Tolerance d -	D	Tolerance D +	Tolerance D -	L	Tolerance L +	Tolerance L -
		mm	µm	µm	mm	µm	µm	mm	mm	mm
KBKC 8	KBKC 8G	8	9	-1	16	0	-13	46	0.3	-0.3
KBKC 12	KBKC 12G	12	9	-1	22	0	-16	61	0.3	-0.3
KBKC 16	KBKC 16G	16	11	-1	26	0	-16	68	0.3	-0.3
KBKC 20	KBKC 20G	20	11	-1	32	0	-19	80	0.3	-0.3
KBKC 25	KBKC 25G	25	13	-2	40	0	-19	112	0.3	-0.3
KBKC 30	KBKC 30G	30	13	-2	47	0	-19	123	0.3	-0.3
KBKC 40	KBKC 40G	40	16	-4	62	0	-22	154	0.3	-0.3
KBKC 50	KBKC 50G	50	16	-4	75	0	-22	192	0.3	-0.3
KBKC 60	KBKC 60G	60	16	-4	90	0	-25	211	0.3	-0.3

Outer cylinder surface treatment on request



I	Df	K	t	P.C.D.	XxYxZ	Eccentricity μm	Perpendicularity μm	Load rating dynamic C N	static C <sub>0</sub> N	Weight g
20.5	32	25	5	24	3.5 x 6.5 x 3.1	15	15	<b>421</b>	<b>804</b>	51
27.5	42	32	6	32	4.5 x 8 x 4.1	15	15	<b>813</b>	<b>1570</b>	90
31.0	46	35	6	36	4.5 x 8 x 4.1	15	15	<b>921</b>	<b>1780</b>	135
36.0	54	42	8	43	5.5 x 9.5 x 5.1	17	17	<b>1370</b>	<b>2740</b>	225
52.0	62	50	8	51	5.5 x 9.5 x 5.1	17	17	<b>1570</b>	<b>3140</b>	500
56.5	76	60	10	62	6.6 x 11 x 6.1	17	17	<b>2500</b>	<b>5490</b>	720
69.0	98	75	13	80	9 x 14 x 8.1	20	20	<b>3430</b>	<b>8040</b>	1600
89.5	112	88	13	94	9 x 14 x 8.1	20	20	<b>6080</b>	<b>15900</b>	2620
95.5	134	106	18	112	11 x 17.5 x 11.1	25	25	<b>7550</b>	<b>20000</b>	4480



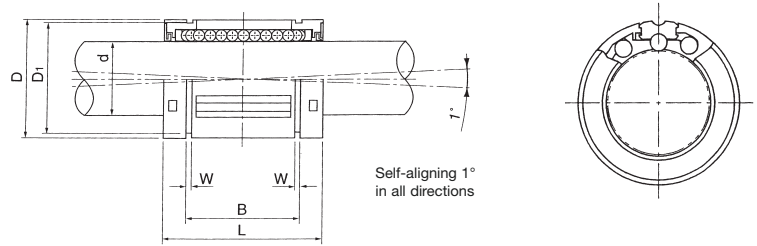
## Topball

### TK

closed

TK = closed, without seal

UU = seals on both sides



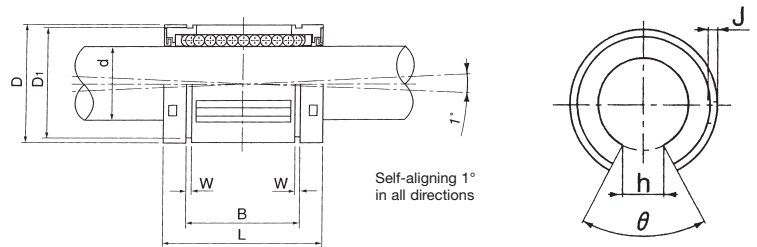
Designation	d	Tolerance		D	L	Tolerance	
		d +	d -			L +	L -
	mm	µm	µm	mm	mm	mm	mm
TK 10	10	8	0	19	29	0.2	-0.2
TK 12	12	8	0	22	32	0.2	-0.2
TK 16	16	9	-1	26	36	0.2	-0.2
TK 20	20	9	-1	32	45	0.2	-0.2
TK 25	25	11	-1	40	58	0.2	-0.2
TK 30	30	11	-1	47	68	0.2	-0.2
TK 40	40	13	-2	62	80	0.2	-0.2

### TK-OP

open

TK -OP = open, without seal

UU = seals on both sides



Designation	d	Tolerance		D	L	Tolerance	
		d +	d -			L +	L -
	mm	µm	µm	mm	mm	mm	mm
TK 12-OP	12	8	0	22	32	0.2	-0.2
TK 16-OP	16	9	-1	26	36	0.2	-0.2
TK 20-OP	20	9	-1	32	45	0.2	-0.2
TK 25-OP	25	11	-1	40	58	0.2	-0.2
TK 30-OP	30	11	-1	47	68	0.2	-0.2
TK 40-OP	40	13	-2	62	80	0.2	-0.2





B	Tolerance		W	D <sub>1</sub>	Load rating dynamic C	static C <sub>0</sub>	Weight
	B +	B -					
mm	mm	mm	mm	mm	N	N	g
22.0	0	-0.2	1.30	18.0	<b>750</b>	<b>935</b>	14
22.9	0	-0.2	1.30	21.0	<b>1020</b>	<b>1290</b>	21
24.9	0	-0.2	1.30	24.9	<b>1250</b>	<b>1550</b>	43
31.5	0	-0.2	1.60	30.3	<b>2090</b>	<b>2630</b>	58
44.1	0	-0.3	1.85	37.5	<b>3780</b>	<b>4720</b>	123
52.1	0	-0.3	1.85	44.5	<b>5470</b>	<b>6810</b>	216
60.6	0	-0.3	2.15	59.0	<b>6590</b>	<b>8230</b>	333



B	Tolerance		W	D <sub>1</sub>	h	θ	F	G	J	Load rating dynamic C	static C <sub>0</sub>	Weight
	B +	B -										
mm	mm	mm	mm	mm	mm	°	mm	mm	mm	N	N	g
22.9	0	-0.2	1.30	21.0	6.5	66	3		0.7	<b>1020</b>	<b>1290</b>	17
24.9	0	-0.2	1.30	24.9	9.0	68	3		1.0	<b>1250</b>	<b>1550</b>	35
31.5	0	-0.2	1.60	30.3	9.0	55	3		1.0	<b>2090</b>	<b>2630</b>	48
44.1	0	-0.3	1.85	37.5	11.5	57	3	1.5	1.5	<b>3780</b>	<b>4720</b>	103
52.1	0	-0.3	1.85	44.5	14.0	57	3	2.0	2.2	<b>5470</b>	<b>6810</b>	177
60.6	0	-0.3	2.15	59.0	19.5	56	3	1.5	2.7	<b>6590</b>	<b>8230</b>	275

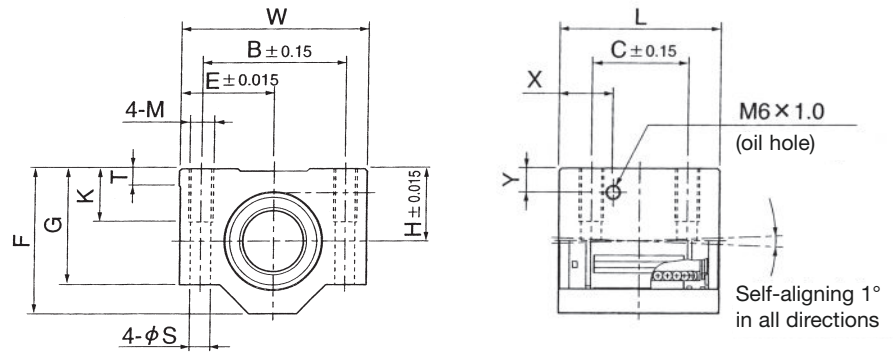
## Block

### TKA

block

TKA = without seal

UU = seals on both sides



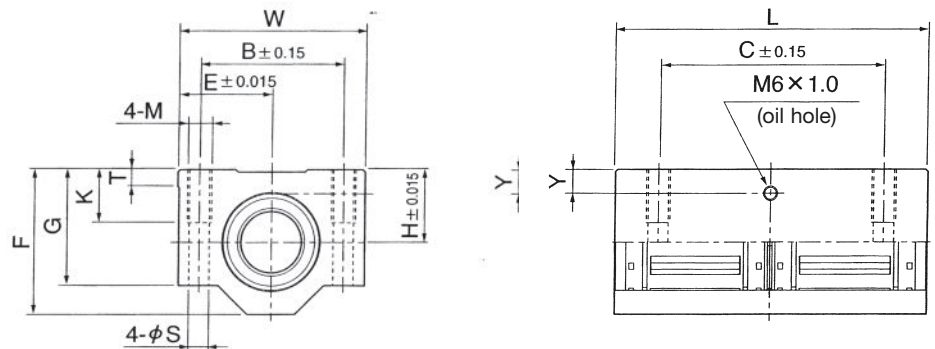
Designation	d	H	E	W	L	F	G	T	X
	mm	mm	mm	mm	mm	mm	mm	mm	mm
TKA 10UU	10	16	20.0	40	36	31.5	25	5	-
TKA 12UU	12	18	21.5	43	39	35.0	28	5	-
TKA 16UU	16	22	26.5	53	43	42.0	35	5	-
TKA 20UU	20	25	30.0	60	54	50.0	42	5	19.0
TKA 25UU	25	30	39.0	78	67	60.0	48	7	22.5
TKA 30UU	30	35	43.5	87	79	70.0	58	8	26.0
TKA 40UU	40	45	54.0	108	91	90.0	72	10	26.5

### TKA-W

double-wide block

TKA = without seal

UU = seals on both sides



Designation	d	H	E	W	L	F	G	T	Y
	mm	mm	mm	mm	mm	mm	mm	mm	mm
TKA 10WUU	10	16	20.0	40	70	31.5	25	5	7.0
TKA 12WUU	12	18	21.5	43	76	35.0	28	5	7.5
TKA 16WUU	16	22	26.5	53	84	42.0	35	5	9.5
TKA 20WUU	20	25	30.0	60	104	50.0	42	5	9.0
TKA 25WUU	25	30	39.0	78	130	60.0	48	7	10.0
TKA 30WUU	30	35	43.5	87	152	70.0	58	8	11.5
TKA 40WUU	40	45	54.0	108	176	90.0	72	10	14.0



Y	B	C	M	K	S	Load rating dynamic C	static C <sub>0</sub>	Weight
mm	mm	mm	mm	mm	mm	N	N	g
	29	20	M 5	11	4.3	<b>750</b>	<b>935</b>	90
	32	23	M 5	11	4.3	<b>1020</b>	<b>1290</b>	116
	40	26	M 6	13	5.3	<b>1250</b>	<b>1550</b>	205
9.0	45	32	M 8	18	6.6	<b>2090</b>	<b>2630</b>	326
10.0	60	40	M10	22	8.4	<b>3780</b>	<b>4720</b>	624
11.5	68	45	M10	22	8.4	<b>5470</b>	<b>6810</b>	980
14.0	86	58	M12	26	10.5	<b>6590</b>	<b>8230</b>	1670



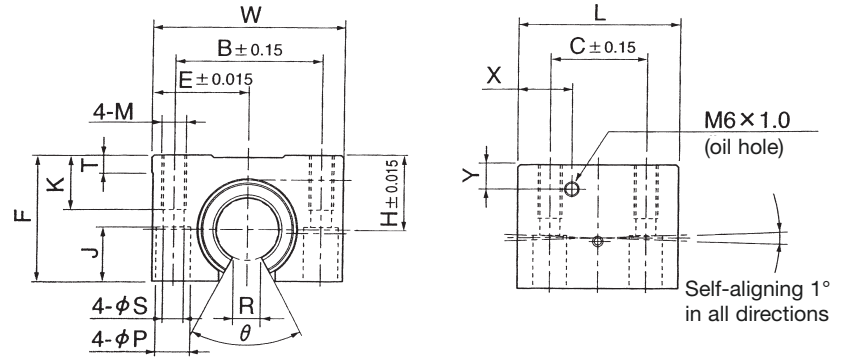
B	C	M	K	S	Load rating dynamic C	static C <sub>0</sub>	Weight
mm	mm	mm	mm	mm	N	N	g
29	52	M 5	11	4.3	<b>1215</b>	<b>1870</b>	175
32	56	M 5	11	4.3	<b>1652</b>	<b>2580</b>	227
40	64	M 6	13	5.3	<b>2025</b>	<b>3100</b>	390
45	76	M 8	18	6.6	<b>3390</b>	<b>5260</b>	630
60	94	M10	22	8.4	<b>6120</b>	<b>9440</b>	1210
68	106	M10	22	8.4	<b>8860</b>	<b>13620</b>	1880
86	124	M12	26	10.5	<b>10680</b>	<b>16460</b>	3280

## TKE

open block

TKE = without seal

UU = seals on both sides



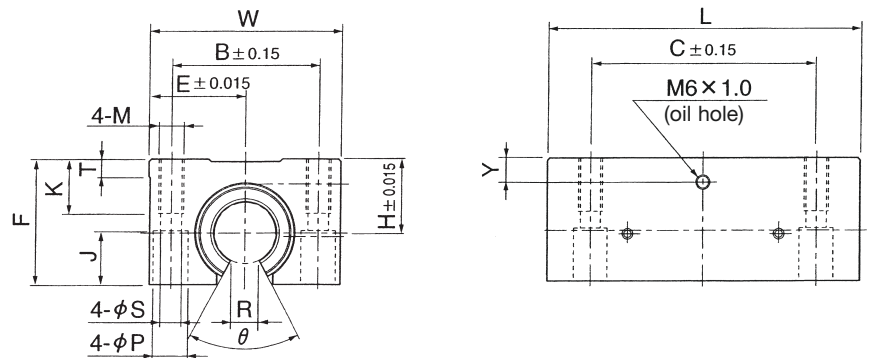
Designation	d	H	E	W	L	F	T	R	θ
	mm	mm	mm	mm	mm	mm	mm	mm	°
TKE 12UU	12	18	21.5	43	39	28	5	6.5	66
TKE 16UU	16	22	26.5	53	43	35	5	9.0	68
TKE 20UU	20	25	30.0	60	54	42	5	9.0	55
TKE 25UU	25	30	39.0	78	67	51	7	11.5	57
TKE 30UU	30	35	43.5	87	79	60	8	14.0	57
TKE 40UU	40	45	54.0	108	91	77	10	19.5	56

## TKE-W

double-wide open block

TKE = without seal

UU = seals on both sides



Designation	d	H	E	W	L	F	T	R	θ
	mm	mm	mm	mm	mm	mm	mm	mm	°
TKE 12WUU	12	18	21.5	43	76	28	5	6.5	66
TKE 16WUU	16	22	26.5	53	84	35	5	9.0	68
TKE 20WUU	20	25	30.0	60	104	42	5	9.0	55
TKE 25WUU	25	30	39.0	78	130	51	7	11.5	57
TKE 30WUU	30	35	43.5	87	152	60	8	14.0	57
TKE 40WUU	40	45	54.0	108	176	77	10	19.5	56

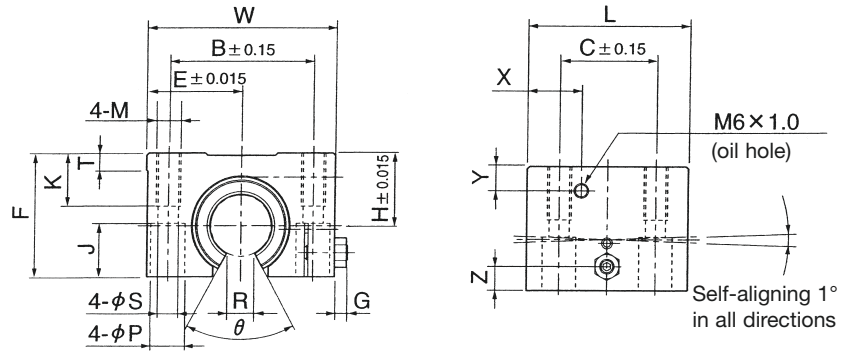
X	Y	B	C	M	K	S	P	J	Load rating dynamic C	static C <sub>0</sub>	Weight
mm	mm	mm	mm	mm	mm	mm	mm	mm	N	N	g
14.5	7.5	32	23	M 5	11	4.3	8.0	4.5	<b>1020</b>	<b>1290</b>	99
15.5	9.5	40	26	M 6	13	5.3	9.5	5.5	<b>1250</b>	<b>1550</b>	175
19.0	9.0	45	32	M 8	18	6.6	11.0	6.5	<b>2090</b>	<b>2630</b>	275
22.5	10.0	60	40	M10	22	8.4	14.0	8.6	<b>3780</b>	<b>4720</b>	558
26.0	11.5	68	45	M10	22	8.4	14.0	8.6	<b>5470</b>	<b>6810</b>	860
26.5	14.0	86	58	M12	26	10.5	17.5	10.8	<b>6590</b>	<b>8230</b>	1490



Y	B	C	M	K	S	P	J	Load rating dynamic C	static C <sub>0</sub>	Weight
mm	mm	mm	mm	mm	mm	mm	mm	N	N	g
7.5	32	56	M 5	11	4.3	8.0	4.5	<b>1652</b>	<b>2580</b>	190
9.5	40	64	M 6	13	5.3	9.5	5.5	<b>2025</b>	<b>3100</b>	312
9.0	45	76	M 8	18	6.6	11.0	6.5	<b>3390</b>	<b>5260</b>	505
10.0	60	94	M10	22	8.4	14.0	8.6	<b>6120</b>	<b>9440</b>	1050
11.5	68	106	M10	22	8.4	14.0	8.6	<b>8860</b>	<b>13620</b>	1630
14.0	86	124	M12	26	10.5	17.5	10.8	<b>10680</b>	<b>16460</b>	2880

## TKD

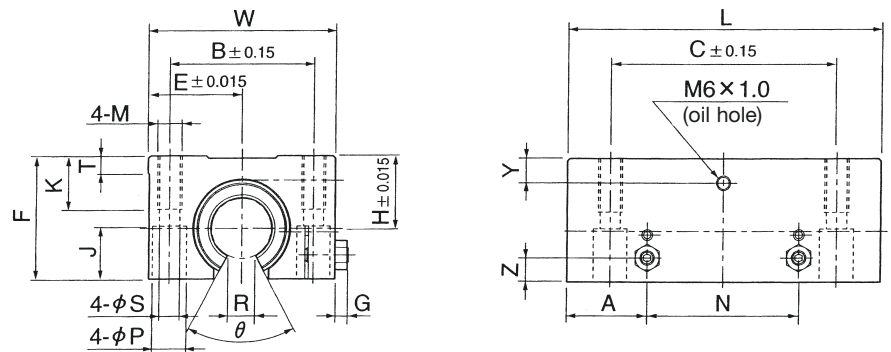
open block with adjustable clearance  
 TKD = without seal  
 UU = seals on both sides



Designation	d	H	E	W	L	F	G	Z	T
	mm	mm	mm	mm	mm	mm	mm	mm	mm
TKD 12UU	12	18	21.5	43	39	28	3.2	5	5
TKD 16UU	16	22	26.5	53	43	35	3.2	6	5
TKD 20UU	20	25	30.0	60	54	42	4.0	8	5
TKD 25UU	25	30	39.0	78	67	51	5.5	10	7
TKD 30UU	30	35	43.5	87	79	60	5.5	12	8
TKD 40UU	40	45	54.0	108	91	77	5.0	15	10

## TKD-W

double-wide open block  
 with adjustable clearance  
 TKD = without seal  
 UU = seals on both sides



Designation	d	H	E	W	L	F	G	Z	A
	mm	mm	mm	mm	mm	mm	mm	mm	mm
TKD 12WUU	12	18	21.5	43	76	28	3.2	5	19.5
TKD 16WUU	16	22	26.5	53	84	35	3.2	6	21.5
TKD 20WUU	20	25	30.0	60	104	42	4.0	8	27.0
TKD 25WUU	25	30	39.0	78	130	51	5.5	10	33.5
TKD 30WUU	30	35	43.5	87	152	60	5.5	12	39.5
TKD 40WUU	40	45	54.0	108	176	77	5.0	15	45.5

R	$\theta$	X	Y	B	C	M	K	S	P	J	Load rating dynamic C	static C <sub>0</sub>	Weight
mm	$^{\circ}$	mm	mm	mm	mm	mm	mm	mm	mm	mm	N	N	g
6.5	66	14.5	7.5	32	23	M 5	11	4.3	8.0	11.5	<b>1020</b>	<b>1290</b>	99
9.0	68	15.5	9.5	40	26	M 6	13	5.3	9.5	14.0	<b>1250</b>	<b>1550</b>	175
9.0	55	19.0	9.0	45	32	M 8	18	6.6	11.0	18.0	<b>2090</b>	<b>2630</b>	275
11.5	57	22.5	10.0	60	40	M10	22	8.4	14.0	22.0	<b>3780</b>	<b>4720</b>	558
14.0	57	26.0	11.5	68	45	M10	22	8.4	14.0	26.0	<b>5470</b>	<b>6810</b>	860
19.5	56	26.5	14.0	86	58	M12	26	10.5	17.5	33.0	<b>6590</b>	<b>8230</b>	1490

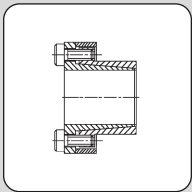


N	T	R	$\theta$	Y	B	C	M	K	S	P	J	Load rating dynamic C	static C <sub>0</sub>	Weight
mm	mm	mm	$^{\circ}$	mm	mm	mm	mm	mm	mm	mm	mm	N	N	g
37	5	6.5	66	7.5	32	56	M 5	11	4.3	8.0	11.5	<b>1652</b>	<b>2580</b>	190
41	5	9.0	68	9.5	40	64	M 6	13	5.3	9.5	14.0	<b>2025</b>	<b>3100</b>	312
50	5	9.0	55	9.0	45	76	M 8	18	6.6	11.0	18.0	<b>3390</b>	<b>5260</b>	505
63	7	11.5	57	10.0	60	94	M10	22	8.4	14.0	22.0	<b>6120</b>	<b>9440</b>	1050
73	8	14.0	57	11.5	68	106	M10	22	8.4	14.0	26.0	<b>8860</b>	<b>13620</b>	1630
85	10	19.5	56	14.0	86	124	M12	26	10.5	17.5	33.0	<b>10680</b>	<b>16460</b>	2880

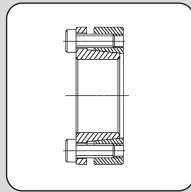
Type 110	P. 8-2
Type 130	P. 8-4
Type 131	P. 8-6
Type 132	P. 8-8
Type 133	P. 8-10
Type 134	P. 8-12
Type 200	P. 8-14
Type 300	P. 8-16



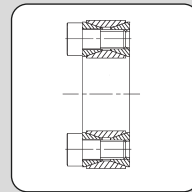
Type 110



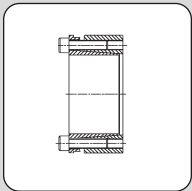
Type 132



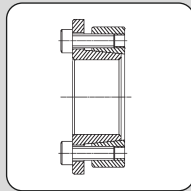
Type 200



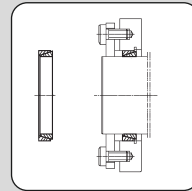
Type 130



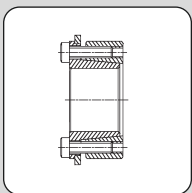
Type 133



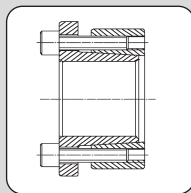
Type 300



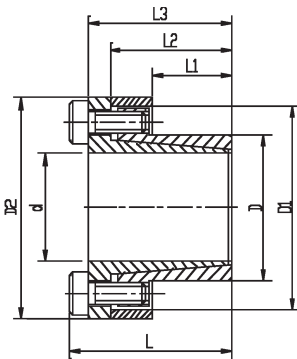
Type 131



Type 134



Type 110



Designation	d	D	L <sub>1</sub>	L <sub>2</sub>	L <sub>3</sub>	L	D <sub>2</sub>
	mm	mm	mm	mm	mm	mm	mm
110 006x014	6	14	10.0	18.5	23.5	25.5	25
110 007x015	7	15	12.0	21.5	25.5	29.5	27
110 008x015	8	15	12.0	21.5	25.5	29.5	27
110 009x016	9	16	14.0	23.5	27.5	31.5	28
110 010x016	10	16	14.0	23.5	27.5	31.5	28
110 011x018	11	18	14.0	23.5	27.5	31.5	32
110 012x018	12	18	14.0	23.5	27.5	31.5	32
110 013x023	13	23	14.0	23.5	27.5	31.5	39
110 014x023	14	23	14.0	23.5	27.5	31.5	39
110 015x024	15	24	16.0	29.5	36.5	42.5	45
110 016x024	16	24	16.0	29.5	36.5	42.5	45
110 017x025	17	26	19.0	32.5	39.5	45.5	47
110 018x026	18	26	19.0	32.5	39.5	45.5	47
110 019x027	19	27	19.0	32.5	39.5	45.5	49
110 020x028	20	28	19.0	32.5	39.5	45.5	50
110 022x032	22	32	26.0	39.5	46.5	52.5	54
110 024x034	24	34	26.0	39.5	46.5	52.5	56
110 025x034	25	34	26.0	39.5	46.5	52.5	56
110 028x039	28	39	25.5	39.5	46.5	52.5	61
110 030x041	30	41	25.5	39.5	46.5	52.5	62
110 032x043	32	43	25.5	39.5	46.5	52.5	65
110 035x047	35	47	31.5	45.5	52.5	58.5	69
110 038x050	38	50	31.5	45.5	52.5	58.5	72
110 040x053	40	53	31.5	45.5	52.5	58.5	75
110 042x055	42	55	31.5	45.5	52.5	58.5	78
110 045x059	45	59	45.0	62.5	71.0	79.0	86
110 048x062	48	62	45.0	62.5	71.0	79.0	87
110 050x065	50	65	45.0	62.5	71.0	79.0	92
110 055x071	55	71	55.0	72.5	81.0	89.0	98
110 060x077	60	77	55.0	72.5	81.0	89.0	104
110 065x084	65	84	55.0	72.5	81.0	89.0	111
110 070x090	70	90	65.0	86.5	96.5	106.5	119
110 075x095	75	95	65.0	86.5	96.5	106.5	126
110 080x100	80	100	65.0	86.5	96.5	106.5	131
110 085x106	85 •	106	65.0	86.5	96.5	106.5	137
110 090x112	90	112	65.0	86.5	96.5	106.5	144
110 095x120	95 •	120	65.0	86.5	96.5	106.5	149
110 100x125	100	125	65.0	86.5	96.5	106.5	154

Order: 110 dxD (e.g.: 110 040x053)

Required surface quality: friction coefficient  $\mu \geq 0.12$

Surface roughness  $Rz \geq 16$

Shaft/hub h8/H8

Locking screws DIN912-12.9

\*) at  $M_t = 0$

\*\*\*) at  $F_t = 0$

Dimensions may change according to position of screws.

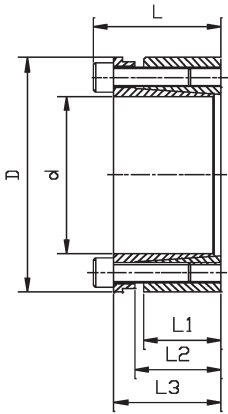
- on request



D <sub>1</sub>	Axial force Ft*	Torque Mt**	Contact pressure shaft P	Contact pressure hub P <sub>1</sub>	Lockings screws qty.	Lockings screws size	Lockings screws tightening torque Ts	Weight
mm	kN	Nm	N/mm <sup>2</sup>	N/mm <sup>2</sup>			Nm	kg
23	6	17	284	122	3	M 3	3	0.040
24	7	24	255	119	3	M 4	5	0.060
24	7	28	223	119	3	M 4	5	0.050
25	7	31	170	96	3	M 4	5	0.060
25	7	35	153	96	3	M 4	5	0.060
28	7	38	139	85	3	M 4	5	0.065
28	9	56	170	114	4	M 4	5	0.070
35	9	60	157	89	4	M 4	5	0.110
35	9	65	146	89	4	M 4	5	0.100
40	21	157	269	168	4	M 6	17	0.220
40	21	168	252	168	4	M 6	17	0.220
42	21	178	200	130	4	M 6	17	0.235
42	21	189	188	130	4	M 6	17	0.240
43	21	199	179	126	4	M 6	17	0.260
44	21	210	170	121	4	M 6	17	0.270
48	21	231	113	77	4	M 6	17	0.340
50	31	377	155	109	6	M 6	17	0.360
50	31	393	149	109	6	M 6	17	0.350
55	31	440	135	97	6	M 6	17	0.480
57	31	472	114	83	6	M 6	17	0.480
59	42	671	142	106	8	M 6	17	0.470
62	42	733	105	78	8	M 6	17	0.580
66	42	796	97	74	8	M 6	17	0.610
69	75	1505	165	125	8	M 8	41	0.680
71	75	1580	157	120	8	M 8	41	0.760
80	75	1693	103	78	8	M 8	41	1.200
81	75	1806	96	75	8	M 8	41	1.200
86	75	1881	93	71	8	M 8	41	1.400
92	85	2328	77	60	9	M 8	41	1.600
98	85	2539	71	55	9	M 8	41	1.800
105	85	2751	66	51	9	M 8	41	2.100
113	136	4776	83	65	9	M10	83	3.000
119	136	5117	77	61	9	M10	83	3.000
125	182	7277	97	77	12	M10	83	3.500
131	182	7732	91	73	12	M10	83	3.600
137	182	8187	86	69	12	M10	83	3.900
142	212	10082	95	75	14	M10	83	4.400
147	273	13645	116	93	18	M10	83	4.600



Type 130



Designation	d	D	L <sub>1</sub>	L <sub>2</sub>	L <sub>3</sub>	L	Axial-force Ft*
	mm	mm	mm	mm	mm	mm	kN
130 019x047	19	47	26	31	39	45	32
130 020x047	20	47	26	31	39	45	32
130 022x047	22	47	26	31	39	45	32
130 024x050	24	50	26	31	39	45	49
130 025x050	25	50	26	31	39	45	49
130 028x055	28	55	26	31	39	45	49
130 030x055	30	55	26	31	39	45	49
130 032x060	32	60	26	31	39	45	65
130 035x060	35	60	26	31	39	45	65
130 038x065	38	65	26	31	39	45	65
130 040x065	40	65	26	31	39	45	65
130 042x075	42	75	30	36	47	55	87
130 045x075	45	75	30	36	47	55	87
130 048x080	48	80	30	36	47	55	87
130 050x080	50	80	30	36	47	55	87
130 055x085	55	85	30	36	47	55	117
130 060x090	60	90	30	36	47	55	117
130 065x095	65	95	30	36	47	55	117
130 070x110	70	110	40	46	62	72	188
130 075x115	75	115	40	46	62	72	188
130 080x120	80	120	40	46	62	72	188
130 085x125	85	125	40	46	62	72	188

Order: 130 dxD (e.g.: 130 040x065)

Required surface quality: friction coefficient  $\mu \geq 0.12$

Surface roughness Rz  $\geq 16$

Shaft/hub h8/H8

Locking screws DIN912-12.9

\*) at Mt = 0

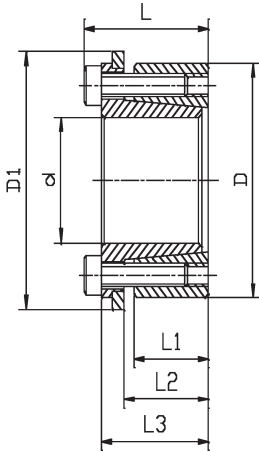
\*\*) at Ft = 0

Dimensions may change according to position of screws.

Torque Mt**	Contact pressure shaft P	Contact pressure hub P <sub>1</sub>	Lockings screws qty.	Lockings screws size	Lockings screws tightening torque Ts	Weight
Nm	N/mm <sup>2</sup>	N/mm <sup>2</sup>			Nm	kg
309	202	82	4	M 6	17	0.4
325	192	82	4	M 6	17	0.4
357	175	82	4	M 6	17	0.4
585	240	115	6	M 6	17	0.4
609	231	115	6	M 6	17	0.4
682	206	105	6	M 6	17	0.5
731	192	105	6	M 6	17	0.5
1039	240	128	8	M 6	17	0.5
1137	220	128	8	M 6	17	0.6
1234	202	118	8	M 6	17	0.6
1299	192	118	8	M 6	17	0.6
1837	213	120	6	M 8	41	1.0
1968	199	120	6	M 8	41	1.0
2099	187	112	6	M 8	41	1.1
2187	179	112	6	M 8	41	1.0
3207	217	141	8	M 8	41	1.1
3499	199	133	8	M 8	41	1.2
3790	184	126	8	M 8	41	1.3
6580	207	131	8	M10	83	2.2
7050	193	126	8	M10	83	2.5
7520	181	120	8	M10	83	2.6
7990	170	116	8	M10	83	2.8



Type 131



Designation	d	D	D <sub>1</sub>	L <sub>1</sub>	L <sub>2</sub>	L <sub>3</sub>	L
	mm	mm	mm	mm	mm	mm	mm
131 019x047	19	47	53	26	31	39	45
131 020x047	20	47	53	26	31	39	45
131 022x047	22	47	53	26	31	39	45
131 024x050	24	50	56	26	31	39	45
131 025x050	25	50	56	26	31	39	45
131 028x055	28	55	61	26	31	39	45
131 030x055	30	55	61	26	31	39	45
131 032x060	32	60	66	26	31	39	45
131 035x060	35	60	66	26	31	39	45
131 038x065	38	65	71	26	31	39	45
131 040x065	40	65	71	26	31	39	45
131 042x075	42	75	81	30	36	47	55
131 045x075	45	75	81	30	36	47	55
131 048x080	48	80	86	30	36	47	55
131 050x080	50	80	86	30	36	47	55
131 055x085	55	85	91	30	36	47	55
131 060x090	60	90	96	30	36	47	55
131 065x095	65	95	101	30	36	47	55
131 070x110	70	110	116	40	46	62	72
131 075x115	75	115	121	40	46	62	72
131 080x120	80	120	126	40	46	62	72
131 085x125	85	125	131	40	46	62	72

Order: 131 dxD (e.g.: 131 040x065)

Required surface quality:friction coefficient  $\mu \geq 0.12$

Surface roughness  $R_z \geq 16$

Shaft/hub h8/H8

Locking screws DIN912-12.9

\*) at  $M_t = 0$

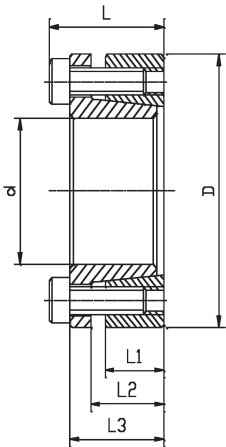
\*\*) at  $F_t = 0$

Dimensions may change according to position of screws.

Axial-force Ft*	Torque Mt**	Contact pressure shaft P	Contact pressure hub P <sub>1</sub>	Lockings screws qty.	Lockings screws size	Lockings screws tightening torque Ts	Weight
kN	Nm	N/mm <sup>2</sup>	N/mm <sup>2</sup>			Nm	kg
21	197	129	52	4	M 6	17	0.4
21	207	123	52	4	M 6	17	0.5
21	228	111	52	4	M 6	17	0.5
31	373	153	74	6	M 6	17	0.5
31	388	147	74	6	M 6	17	0.5
31	435	131	67	6	M 6	17	0.6
31	466	123	67	6	M 6	17	0.6
41	663	153	82	8	M 6	17	0.7
41	725	140	82	8	M 6	17	0.6
41	787	129	75	8	M 6	17	0.8
41	829	123	75	8	M 6	17	0.6
56	1171	136	76	6	M 8	41	1.2
56	1255	127	76	6	M 8	41	1.1
56	1339	119	71	6	M 8	41	1.3
56	1395	114	71	6	M 8	41	1.1
74	2045	139	90	8	M 8	41	1.2
74	2231	127	85	8	M 8	41	1.3
74	2417	117	80	8	M 8	41	1.4
120	4197	132	84	8	M10	83	2.5
120	4497	123	80	8	M10	83	2.6
120	4796	115	77	8	M10	83	2.8
159	6743	144	98	10	M10	83	2.8



Type 132



Designation	d	D	L <sub>1</sub>	L <sub>2</sub>	L <sub>3</sub>	L	Axial-force Ft*
	mm	mm	mm	mm	mm	mm	kN
132 018x047	18	47	17	22	28	34	33
132 019x047	19	47	17	22	28	34	33
132 020x047	20	47	17	22	28	34	33
132 022x047	22	47	17	22	28	34	33
132 024x050	24	50	17	22	28	34	40
132 025x050	25	50	17	22	28	34	40
132 028x055	28	55	17	22	28	34	40
132 030x055	30	55	17	22	28	34	40
132 032x060	32	60	17	22	28	34	54
132 035x060	35	60	17	22	28	34	54
132 038x065	38	65	17	22	28	34	54
132 040x065	40	65	17	22	28	34	54
132 042x075	42	75	20	25	33	41	87
132 045x075	45	75	20	25	33	41	87
132 048x080	48	80	20	25	33	41	87
132 050x080	50	80	20	25	33	41	87
132 055x085	55	85	20	25	33	41	100
132 060x090	60	90	20	25	33	41	100
132 065x095	65	95	20	25	33	41	112
132 070x110	70	110	24	30	40	50	159
132 075x115	75	115	24	30	40	50	159
132 080x120	80	120	24	30	40	50	159
132 085x125	85	125	24	30	40	50	178

Order: 132 dxD (e.g.: 132 040x065)

Required surface quality:friction coefficient  $\mu \geq 0.12$

Surface roughness Rz  $\geq 16$

Shaft/hub h8/H8

Locking screws DIN912-12.9

\*) at Mt = 0

\*\*) at Ft = 0

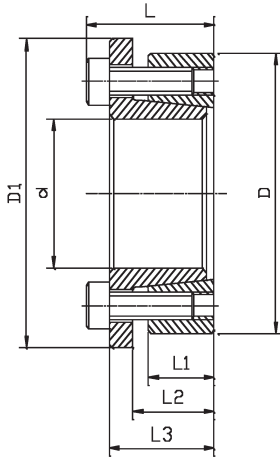
Dimensions may change according to position of screws.



Torque Mt**	Contact pressure shaft P	Contact pressure hub P <sub>1</sub>	Lockings screws qty.	Lockings screws size	Lockings screws tightening torque Ts	Weight
Nm	N/mm <sup>2</sup>	N/mm <sup>2</sup>			Nm	kg
301	336	129	5	M 6	14	0.30
318	318	129	5	M 6	14	0.30
334	302	129	5	M 6	14	0.30
368	275	129	5	M 6	14	0.30
482	302	145	6	M 6	14	0.30
502	290	145	6	M 6	14	0.30
562	259	132	6	M 6	14	0.40
602	242	132	6	M 6	14	0.30
856	302	161	8	M 6	14	0.40
936	277	161	8	M 6	14	0.40
1017	255	149	8	M 6	14	0.40
1070	242	149	8	M 6	14	0.40
1829	319	179	7	M 8	35	0.80
1960	298	179	7	M 8	35	0.60
2091	279	167	7	M 8	35	0.80
2178	268	167	8	M 8	35	0.80
2738	278	180	8	M 8	35	0.80
2987	255	170	8	M 8	35	0.80
3640	265	181	9	M 8	35	0.90
5550	290	185	8	M10	70	1.80
5946	271	177	8	M10	70	1.80
6343	254	169	8	M10	70	1.80
7581	269	183	9	M10	70	2.07



Type 133



Designation	d	D	D <sub>1</sub>	L <sub>1</sub>	L <sub>2</sub>	L <sub>3</sub>	L
	mm	mm	mm	mm	mm	mm	
133 018x047	18	47	56	17	22	28	34
133 019x047	19	47	56	17	22	28	34
133 020x047	20	47	56	17	22	28	34
133 022x047	22	47	56	17	22	28	34
133 024x050	24	50	59	17	22	28	34
133 025x050	25	50	59	17	22	28	34
133 028x055	28	55	64	17	22	28	34
133 030x055	30	55	64	17	22	28	34
133 032x060	32	60	69	17	22	28	34
133 035x060	35	60	69	17	22	28	34
133 038x065	38	65	74	17	22	28	34
133 040x065	40	65	74	17	22	28	34
133 042x075	42	75	84	20	25	33	41
133 045x075	45	75	84	20	25	33	41
133 048x080	48	80	89	20	25	33	41
133 050x080	50	80	89	20	25	33	41
133 055x085	55	85	94	20	25	33	41
133 060x090	60	90	99	20	25	33	41
133 065x095	65	95	104	20	25	33	41
133 070x110	70	110	119	24	30	40	50
133 075x115	75	115	124	24	30	40	50
133 080x120	80	120	129	24	30	40	50
133 085x125	85	125	134	24	30	40	50

Order: 133 dxD (e.g.: 133 040x065)

Required surface quality:friction coefficient  $\mu \geq 0.12$

Surface roughness Rz  $\geq 16$

Shaft/hub h8/H8

Locking screws DIN912-12.9

\*) at Mt = 0

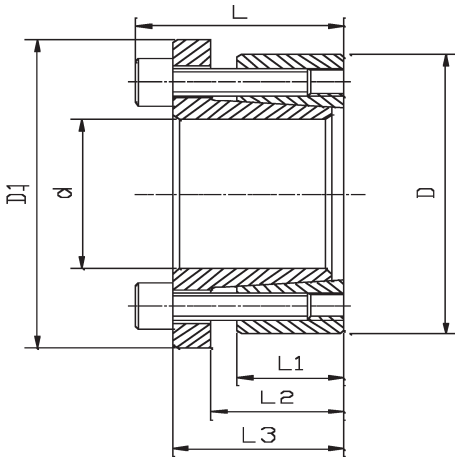
\*\*) at Ft = 0

Dimensions may change according to position of screws.

Axial-force Ft*	Torque Mt**	Contact pressure shaft P	Contact pressure hub P <sub>1</sub>	Lockings screws qty.	Lockings screws size	Lockings screws tightening torque Ts	Weight
kN	Nm	N/mm <sup>2</sup>	N/mm <sup>2</sup>			Nm	kg
26	233	260	100	5	M 6	17	0.300
26	246	247	100	5	M 6	17	0.300
26	259	234	100	5	M 6	17	0.300
26	285	213	100	5	M 6	17	0.300
31	373	234	112	6	M 6	17	0.300
31	388	225	112	6	M 6	17	0.300
31	435	201	102	6	M 6	17	0.400
31	466	187	102	6	M 6	17	0.400
41	663	234	125	8	M 6	17	0.400
41	725	214	125	8	M 6	17	0.400
41	787	197	115	8	M 6	17	0.500
41	829	187	115	8	M 6	17	0.500
65	1367	238	133	7	M 8	41	0.800
65	1464	222	133	7	M 8	41	0.700
65	1562	208	125	7	M 8	41	0.800
65	1627	200	125	7	M 8	41	0.800
74	2045	208	135	8	M 8	41	0.900
74	2231	191	127	8	M 8	41	0.900
84	2719	198	135	9	M 8	41	1.000
120	4197	220	140	8	M10	83	1.900
120	4497	205	134	8	M10	83	2.000
120	4796	192	128	8	M10	83	2.000
135	5733	203	138	9	M10	83	2.070



Type 134



Designation	d	D	D <sub>1</sub>	L <sub>1</sub>	L <sub>2</sub>	L <sub>3</sub>	L
	mm	mm	mm	mm	mm	mm	mm
134 014x055	14	55	62	17	22	31	38
134 016x055	16	55	62	17	22	31	38
134 018x055	18	55	62	17	22	31	38
134 019x055	19	55	62	17	22	31	38
134 020x055	20	55	62	17	22	31	38
134 022x055	22	55	62	17	22	31	38
134 024x055	24	55	62	17	22	31	38
134 025x055	25	55	62	17	22	31	38
134 028x055	28	55	62	17	22	31	38
134 030x055	30	55	62	17	22	31	38
134 024x065	24	65	72	17	22	31	38
134 025x065	25	65	72	17	22	31	38
134 028x065	28	65	72	17	22	31	38
134 030x065	30	65	72	17	22	31	38
134 032x065	32	65	72	17	22	31	38
134 035x065	35	65	72	17	22	31	38
134 038x065	38	65	72	17	22	31	38
134 040x065	40	65	72	17	22	31	38
134 030x080	30	80	87	20	25	33	41
134 032x080	32	80	87	20	25	33	41
134 035x080	35	80	87	20	25	33	41
134 038x080	38	80	87	20	25	33	41
134 040x080	40	80	87	20	25	33	41
134 042x080	42	80	87	20	25	33	41
134 045x080	45	80	87	20	25	33	41
134 048x080	48	80	87	20	25	33	41
134 050x080	50	80	87	20	25	33	41

Order: 134 dxD (e.g.: 134 040x065)

Required surface quality:friction coefficient  $\mu \geq 0.12$

Surface roughness  $Rz \geq 16$

Shaft/hub h8/H8

Locking screws DIN912-12.9

\*) at  $M_t = 0$

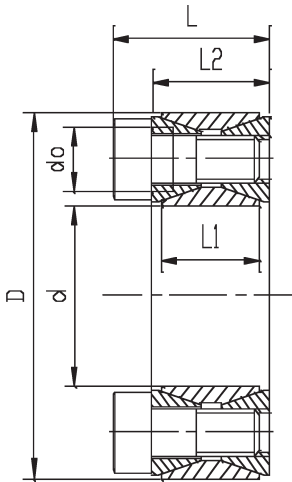
\*\*) at  $F_t = 0$

Dimensions may change according to position of screws.

Axial force Ft*	Torque Mt**	Contact pressure shaft P	Contact pressure hub P <sub>1</sub>	Lockings screws qty.	Lockings screws size	Lockings screws tightening torque Ts	Weight
kN	Nm	N/mm <sup>2</sup>	N/mm <sup>2</sup>			Nm	kg
21	145	267	68	4	M8	41	0.480
22	175	248	72	4	M8	41	0.470
23	208	233	76	4	M8	41	0.500
24	228	228	79	4	M8	41	0.460
24	244	221	80	4	M8	41	0.500
25	273	204	82	4	M8	41	0.440
26	312	196	86	4	M8	41	0.420
27	341	197	90	4	M8	41	0.410
29	405	187	95	4	M8	41	0.390
30	452	182	99	4	M8	41	0.400
31	372	234	86	5	M8	41	0.620
33	407	235	91	5	M8	41	0.610
34	477	220	95	5	M8	41	0.580
36	542	218	101	5	M8	41	0.600
38	603	213	105	5	M8	41	0.550
39	687	203	109	5	M8	41	0.500
41	775	194	114	5	M8	41	0.480
42	847	192	118	5	M8	41	0.500
43	651	222	83	7	M8	41	1.000
46	729	219	88	7	M8	41	0.990
48	835	210	92	7	M8	41	0.960
51	962	205	97	7	M8	41	0.920
53	1056	203	101	7	M8	41	0.900
55	1154	201	106	7	M8	41	0.860
57	1285	195	110	7	M8	41	0.800
59	1423	190	114	7	M8	41	0.760
61	1537	189	118	7	M8	41	0.800



Type 200



Designation	<b>d</b>	<b>D</b>	<b>L<sub>1</sub></b>	<b>L<sub>2</sub></b>	<b>L</b>	Axial force Ft*
	mm	mm	mm	mm	mm	kN
200 020x047	<b>20</b>	47	17	20	26	32
200 022x047	<b>22</b>	47	17	20	26	32
200 024x050	<b>24</b>	50	17	20	26	36
200 025x050	<b>25</b>	50	17	20	26	36
200 028x055	<b>28</b>	55	17	20	26	40
200 030x055	<b>30</b>	55	17	20	26	40
200 032x060	<b>32</b>	60	17	20	26	47
200 035x060	<b>35</b>	60	17	20	26	47
200 038x065	<b>38</b>	65	17	20	26	55
200 040x065	<b>40</b>	65	17	20	26	55
200 042x075	<b>42</b>	75	20	24	32	79
200 045x075	<b>45</b>	75	20	24	32	79
200 048x080	<b>48</b>	80	20	24	32	79
200 050x080	<b>50</b>	80	20	24	32	79
200 055x085	<b>55</b>	85	20	24	32	92
200 060x090	<b>60</b>	90	20	24	32	92
200 065x095	<b>65</b>	95	20	24	32	105
200 070x110	<b>70</b>	110	24	28	38	145
200 075x115	<b>75</b>	115	24	28	38	145
200 080x120	<b>80</b>	120	24	28	38	145
200 085x125	<b>85</b>	125	24	28	38	166
200 090x130	<b>90</b>	130	24	28	38	166
200 095x135	<b>95</b>	135	24	28	38	186
200 100x145	<b>100</b>	145	29	33	45	209
200 110x155	<b>110</b>	155	29	33	45	209
200 120x165	<b>120</b>	165	29	33	45	239
200 130x180	<b>130</b>	180	34	38	50	298
200 140x190	<b>140</b>	190	34	38	50	328
200 140x200	<b>150</b>	200	34	38	50	358

Order: 200 dxD (e.g.: 200 040x065)

Required surface quality: friction coefficient  $\mu \geq 0.12$

Surface roughness Rz  $\geq 16$

Shaft/hub h8/H8

Locking screws DIN912-12.9

\*) at Mt = 0

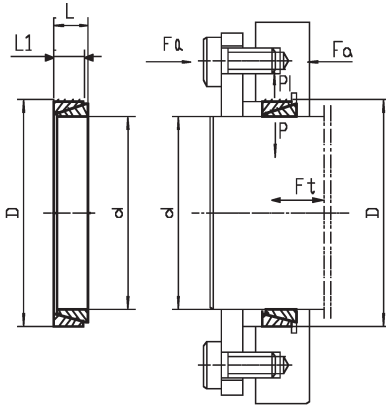
\*\*) at Ft = 0

Dimensions may change according to position of screws.

Torque Mt**	Contact pressure shaft P	Contact pressure hub P <sub>1</sub>	Lockings screws qty.	Lockings screws size	Lockings screws tightening torque Ts	Weight
Nm	N/mm <sup>2</sup>	N/mm <sup>2</sup>			Nm	kg
317	258	110	8	M 6	17	0.2
348	234	110	8	M 6	17	0.2
427	242	116	9	M 6	17	0.3
445	232	116	9	M 6	17	0.3
554	230	117	10	M 6	17	0.3
594	215	117	10	M 6	17	0.3
760	242	129	12	M 6	17	0.3
831	221	129	12	M 6	17	0.3
1053	237	139	14	M 6	17	0.4
1108	226	139	14	M 6	17	0.3
1659	260	146	12	M 8	38	0.6
1778	243	146	12	M 8	38	0.6
1897	228	137	12	M 8	38	0.6
1976	219	137	12	M 8	38	0.6
2535	232	150	14	M 8	38	0.6
2766	213	142	14	M 8	38	0.7
3424	224	153	16	M 8	38	0.7
5072	239	152	14	M10	75	1.3
5434	223	145	14	M10	75	1.3
5796	209	139	14	M10	75	1.4
7038	225	153	16	M10	75	1.4
7452	212	147	16	M10	75	1.5
8850	226	159	18	M10	75	1.6
10435	199	137	14	M10	130	2.2
11478	181	129	14	M12	130	2.5
14310	190	138	16	M12	130	2.6
19379	187	135	20	M12	130	3.8
22956	191	141	22	M12	130	3.9
26832	194	146	24	M12	130	4.0



Type 300



Designation	d mm	D mm	L mm	L <sub>1</sub> mm	Tightening force Fa kN	Axial force Ft* kN
300 006x009	6	9	4.5	3.7	10	1
300 007x010	7	10	4.5	3.7	11	1
300 008x011	8	11	4.5	3.7	12	1
300 009x012	9	12	4.5	3.7	13	1
300 010x013	10	13	4.5	3.7	14	1
300 012x015	12	15	4.5	3.7	17	2
300 013x016	13	16	4.5	3.7	20	2
300 014x018	14	18	6.3	5.3	28	3
300 015x019	15	19	6.3	5.3	30	3
300 016x020	16	20	6.3	5.3	32	3
300 017x021	17	21	6.3	5.3	33	3
300 018x022	18	22	6.3	5.3	34	3
300 019x024	19	24	6.3	5.3	37	4
300 020x025	20	25	6.3	5.3	38	4
300 022x026	22	26	6.3	5.3	40	4
300 024x028	24	28	6.3	5.3	43	5
300 025x030	25	30	6.3	5.3	46	5
300 028x032	28	32	6.3	5.3	50	5
300 030x035	30	35	6.3	5.3	53	6
300 032x036	32	36	6.3	5.3	56	6
300 035x040	35	40	7.0	6.0	69	8
300 036x042	36	42	7.0	6.0	71	8
300 038x044	38	44	7.0	6.0	75	8
300 040x045	40	45	8.0	6.6	86	10
300 042x048	42	48	8.0	6.6	91	10
300 045x052	45	52	10.0	8.6	128	14
300 048x055	48	55	10.0	8.6	136	15
300 050x057	50	57	10.0	8.6	141	16
300 055x062	55	62	10.0	8.6	154	17
300 056x064	56	64	12.0	10.4	183	20
300 060x068	60	68	12.0	10.4	203	23
300 063x071	63	71	12.0	10.4	211	23
300 065x073	65	73	12.0	10.4	219	24

Order: 300 dxD (e.g.: 300 040x045)

Required surface quality:friction coefficient  $\mu \geq 0.12$

Surface roughness Rz  $\geq 16$

Shaft/hub h8/H8

\*) at Mt = 0

\*\*) at Ft = 0

Dimensions may change according to position of screws.



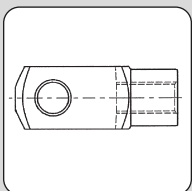
Torque Mt**	Contact pressure	Contact pressure	Weight
	shaft P	hub P <sub>1</sub>	
Nm	N/mm <sup>2</sup>	N/mm <sup>2</sup>	kg
2	100	73	0.002
3	100	70	0.002
4	100	73	0.002
7	100	77	0.002
7	100	77	0.002
10	100	80	0.002
13	100	80	0.002
19	100	78	0.005
22	100	79	0.005
25	100	80	0.006
29	100	83	0.006
31	100	82	0.007
35	100	79	0.007
38	100	80	0.009
46	100	85	0.008
55	100	86	0.008
60	100	83	0.009
75	100	88	0.010
86	100	86	0.011
98	100	89	0.011
133	100	88	0.016
140	100	86	0.019
157	100	86	0.021
191	100	89	0.021
210	100	88	0.026
315	100	87	0.045
358	100	87	0.045
388	100	88	0.045
470	100	89	0.049
580	100	88	0.070
676	100	88	0.070
715	100	89	0.080
794	100	89	0.090

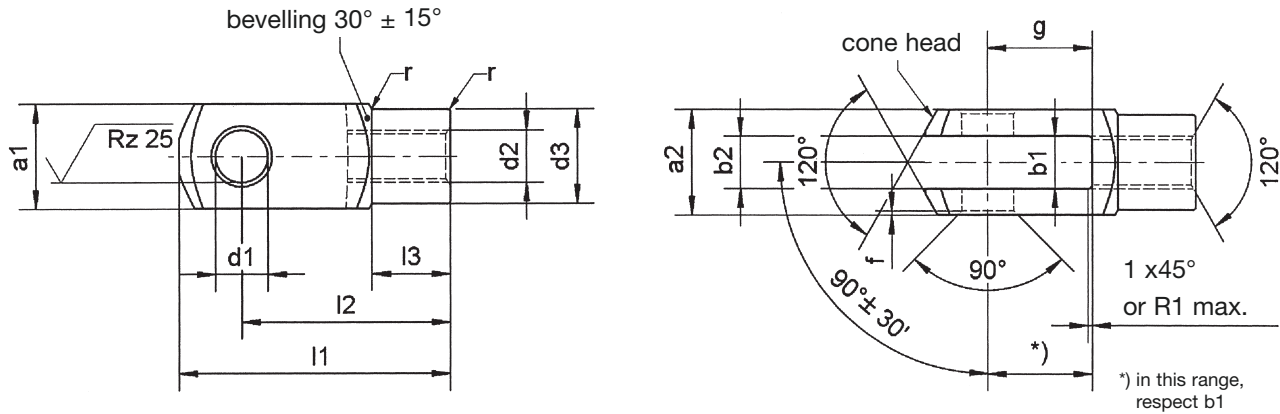






Clevises and bolts





Designation	d mm	g mm	a* mm	b** mm	d <sub>2</sub> mm	d <sub>3</sub> mm	l <sub>1</sub> mm	l <sub>2</sub> mm	Weight kg
G4x8 M4 RE VZ + FKB	4	8	8	4	M4x0,7	8	21	16	0,006
G5x10 M5 RE VZ + FKB	5	10	10	5	M5x0,8	9	26	20	0,012
G6x12 M6 RE VZ + FKB	6	12	12	6	M6x1	10	31	24	0,020
G8x16 M8 RE VZ + FKB	8	16	16	8	M8x1,25	14	42	32	0,048
G10x20 M10 RE VZ + FKB	10	20	20	10	M10x1,5	18	52	40	0,093
G10x20 M10x1,25 RE VZ + FKB	10	20	20	10	M10x1,25	18	52	40	0,093
G12x24 M12 RE VZ + FKB	12	24	24	12	M12x1,75	20	62	48	0,154
G12x24 M12x1,25 RE VZ + FKB	12	24	24	12	M12x1,25	20	62	48	0,154
G16x32 M16 RE VZ + FKB	16	32	32	16	M16x2	26	83	64	0,351
G16x32 M16x1,5 RE VZ + FKB	16	32	32	16	M16x1,5	26	83	64	0,351
G20x40 M20x1,5 RE VZ + FKB	20	40	40	20	M20x1,5	34	105	80	0,680
G30x54 M27x2,0 RE VZ + SB	30	54	55	30	M27x2,0	48	148	110	1,440
G40x84 M42x2,0 RE VZ + SB	40	84	85	40	M42x2,0	70	232	168	5,640
G50x96 M48x2,0 RE VZ + SB	50	96	96	50	M48x2,0	82	265	192	7,860

\*) tolerances a1 and a2 acc. to DIN 71752

\*\*) tolerances b1 and b2 acc. to DIN 71752

FKB: Spring clip bolt

SP: Bolt with cotter pin

Further sizes are available on request. Also available in stainless steel.



**HOISI**  
PRECISION

凱獅精密  
180 7312 9830

---

**For your notes**

---

## 1. General, Scope

Our Conditions of Sale shall apply exclusively. We do not recognise terms and conditions of our customer, unless we would have agreed expressly to their validity in writing. Our Conditions of Sale shall apply even if we unconditionally carry out the delivery in knowledge of terms and conditions of the customer that conflict with or deviate from our Conditions of Sale.

All agreements between us and our customer are to be set down in writing.

## 2. Offer

Our offers to deliver and quoted prices are not binding and without obligation. In the case of individual orders with a net order value of up to EUR 400 we will charge in addition the following costs plus the applicable statutory value-added tax for order processing: up to EUR 100: EUR 20.00; up to EUR 150: EUR 15.00; up to EUR 400: EUR 10.00

## 3. Execution of Contract

The customer is obliged to immediately inform us, without being asked, about all legal, official and other regulations which are to be complied with when executing the contract owing to special circumstances. This also applies to other special circumstances in an individual case which might lead to an impediment in the execution of the contract.

We are entitled to change the design or production of our products, insofar as these concern slight changes or customary deviations and these are deemed reasonable for the customer taking our interests into account. Reasonable acceptability for the customer is gauged according to the effects on the value and the proper functioning of the products, on our part technical requirements, in particular requirements from production technology. Tolerances in quantity of up to +/- 10 % are admissible.

In the case of sample and special productions beyond our current delivery programme, we shall invoice the customer on a pro rata basis for additional tool costs incurred for this. We shall initially notify the customer of these costs in the course of the order processing for information only. We are entitled to make partial deliveries which can be invoiced separately by us. We reserve all proprietary rights and copyrights in illustrations, drawings, calculations and other documents; they must not be made available to third parties.

## 4. Prices

Insofar as no deviating regulation is agreed upon, our list prices at the time when the contract was concluded shall apply. If in commercial business transactions we provide our services in accordance with the contract later than six weeks, the list prices at the time of the rendering of the service, in particular the day of delivery, shall be authoritative. Our prices are strictly net, ex works and do not include additional costs such as packing, transport and insurance. The statutory value-added tax is not included in the prices. We reserve the right to change our prices which are based on material, wage and energy costs at the time of the submission of our offer in the event that individual or all of these cost factors are increased during the period between conclusion of the contract on the one hand and delivery or service on the other hand in accordance with the effects of the change of the above-mentioned cost factors on the price.

The customer shall recycle non-returned packaging in accordance with applicable regulations. The customer can return packaging in return for assumption of the costs of the return transport.

## 5. Payment Terms, Default

Our invoices are due for payment within 14 calendar days of the invoice date. Taxes, customs and duties levied upon us shall be reimbursed to us immediately by the customer.

If it becomes clear after conclusion of the contract that the customer may have insufficient funds to settle our payment claims, we shall be entitled to rights from § 321 BGB (German Civil Code / defence of uncertainty). We are also entitled to fix a due date for all claims from the current business relationship with the customer, which are not subject to the statute of limitations. In other respects the defence of uncertainty applies to all further deliveries and services from the business relationship with the customer.

The customer has a right to set-off, only if his counterclaims are ripe for judgement or uncontested. This also applies to any right of retention, insofar as his counterclaim is not based upon the same contractual relationship.

## 6. Delivery, Acts of God, Reservation of Self Supply, Default

The delivery dates and delivery periods indicated by us are without obligation, unless we explicitly declare that these delivery dates and delivery periods are binding. We will, however, endeavour to observe the delivery dates and delivery periods stated as being without obligation. Even firmly agreed delivery times are not fixed dates (§§ 361 BGB/ German Civil Code, 376 HGB/ German Commercial Code), unless they are expressly described as fixed dates. If we cannot effect delivery within an agreed delivery period or on an agreed delivery date, the customer sets us a period of grace of at least three weeks.

The customer can set us a shorter period of grace only if circumstances exist which make a period of grace of three weeks unacceptable for the customer and which were apparent to us when the contract was concluded. The circumstance alone that the parties agreed a binding delivery time is not sufficient for this. Rights from the delay may not be derived by the customer until the period of grace has expired.

If a delivery period is explicitly described in writing as binding, the delivery period shall start as soon as all details of the execution have been clarified and both parties agree

upon all terms and conditions of the conclusion and the execution of the contract. Binding delivery times are observed by handing over the products for transport.

Our obligation to deliver is suspended as long as the customer is in default with an obligation existing towards us. In the event of Acts of God and other unforeseen events, especially disruptions to procurement, employment, production and delivery processes at our company or our suppliers, which we cannot foresee or prevent as regards the duration of their effects, we shall be released from our delivery obligations for the duration of the disruption and for a reasonable restart period and the extent of their effect - even during an existing delay - unless the disruption has been brought about intentionally or by gross negligence on our part.

Should it not be possible to effect delivery within a reasonable period of time due to Acts of God or other unforeseen events which we are not responsible for, both the customer and we ourselves are entitled to withdraw in whole or in part from the contract. The same shall apply in the event of the subsequent impossibility to satisfy the contract for which we are not responsible. Claims for damages on the basis of such a withdrawal do not exist. If the rescinding party wants to exercise his right of rescission, he must notify this without delay after gaining knowledge of the significance of the occurrence. Compensation claims of the customer are excluded.

The same applies if official permits and other permits of third parties and documents, which are necessary for carrying out deliveries, are not received in time. If an order is changed subsequently or if the customer does not submit the required details for executing the delivery on time, the delivery period shall also be reasonably extended.

We shall be released from our delivery obligation if the correct goods ordered for performing the contract have not been delivered to us in due time through no fault of our own. In those cases of default in delivery, or of inability to perform the service, which lie within the responsibility of our company, we shall be liable, insofar as said default or inability shall not have been the result of any malicious intent or any gross negligence on our part, only subject to the following restrictions for compensation for damage:

- in case of delayed delivery, the customer may claim in case of damage compensation of no more than 0.5 % of the price of the delayed delivery for each full week of delay, in total, however, on no account more than 30 % of the net value of the delayed delivery or 10 % of the total net order value;

- any compensation claim for damages on account of failure to perform is limited to indemnification of such damages which we should have foreseen on the basis of circumstances recognisable by us as the possible consequence of a breach of contract when the contract was concluded (loss or damage typical of the contract). In case of negligence which is not gross negligence, the liability is limited to 50 % of the loss or damage that has been incurred.

Further claims based on default of delivery shall be solely governed by section 11 of these Terms and Conditions of Sale and Delivery.

## 7. Shipping, Passing of Risk, Transport Insurance

Shipping is carried out at the purchaser's expense.

The risk of accidental deterioration and accidental loss of the goods passes to the customer as soon as the products were handed over to him or to the persons determined for executing the delivery, at the latest however when they leave our factory, our business or warehouse rooms, even if we have taken over the delivery, if partial deliveries are made, or if we have also taken over other services. If shipping is delayed for reasons for which we are not responsible for or due to the conduct of the customer, the risk shall pass to the customer at the time when we advised him that the goods are ready for shipping.

We are entitled but not obliged to take out transport insurance to the customary extent at the customer's expense, unless specific instructions of the customer exist in this respect, which if applicable must be issued to us in writing in good time before the commencement of the transport.

Unless the customer has issued instructions to the contrary we shall determine the means of transport, the transport route and the transport insurance without being responsible for ensuring that the fastest or cheapest possibility is selected.

In case of damage to or loss of the products in transit, the customer must arrange for a recording of the facts at the carrier without delay.

## 8. Obligation to take Delivery, Non-performance

The provisions on default of the debtor shall apply to the obligation of the customer to take delivery. If according to these provisions compensation is due to us for the default of the customer in taking delivery, we are entitled to demand a lump-sum compensation of 20 % of the respective net invoice value, with the reservation that either party may prove a greater or smaller loss.

If we are obliged to deliver on call, deliveries must be called no later than one year from the order date, unless specially agreed upon. In the event that goods are not called within the designated period, paragraph 1 shall apply accordingly.

## 9. Retention of Title

All delivered goods remain our property (hereinafter referred to as reserved goods) until such time as the customer has settled all of our claims, including, in particular, any payment balance demands to which we may be entitled within the scope of our business relations (hereinafter referred to as balance reservation) and the claims which are unilaterally established by the liquidator by way of the choice of satisfaction. This also applies to receivables arising in the future and conditional claims, e.g. from acceptor's bills of



**HOISI**  
PRECISION

凱獅精密  
180 7312 9830

**ASKUBAL**  
Perfect quality and dynamic

exchange, and shall apply even where payments are made in respect of specially designated claims. This balance reservation will expire definitively upon settlement of all accounts receivable which are still due at the time of payment and included in said reserved balance.

Treatment and processing of the reserved goods shall be carried out for us as manufacturer within the meaning of § 950 BGB, but shall not entail liability on our part. The treated and processed goods are considered to be reserved goods. We shall acquire direct ownership in the new goods. If the customer processes, combines and mixes the reserved goods with other goods, we shall obtain co-ownership in the new goods in proportion of the invoiced value of the reserved goods to the invoiced value of the other goods used. If the ownership expires as a result of combining or mixing, the customer shall transfer to us now ownership rights in the new stock or goods that he is entitled to in the amount of the invoice value of the reserved goods and shall store it at no cost for us. Our co-ownership rights are considered as reserved goods.

The customer may sell the reserved goods only in the ordinary course of business subject to his standard terms and conditions of business, as long as he is not in default, provided that the claims arising from the resale pass to us (extended retention of title). He is not entitled to dispose of the reserved goods in any other way.

The customer herewith assigns to us the claims arising from the resale of the reserved goods, including all ancillary rights. They serve as security to the same extent as the reserved goods. If the reserved goods are sold by the purchaser together with other goods not sold by us, the claim arising from the resale shall be assigned to us in proportion to the invoiced price of the reserved goods to the invoiced value of the other sold goods. When goods are sold in which we have co-ownership shares, a share corresponding to our co-ownership share shall be assigned to us. If the reserved goods are used by the customer to perform a contract for work and services, the claim arising from the contract for work and services shall be assigned to us in advance to the same extent.

The customer is entitled to collect claims arising from the resale. This authorisation for collection expires if revoked by us, however no later than upon default, dishonour of a bill of exchange or application for insolvency proceedings to be opened. We shall exercise our right of revocation only if it becomes clear after concluding the contract that the purchaser may have insufficient funds to settle our payment claims arising from this, or other contracts with the purchaser. Upon request by us, the customer shall be obliged to notify his customers of the assignment to us straight away and to give us the documents necessary for collection.

In case of assignment by way of factoring, our claim for payment becomes due immediately upon receipt of the factoring proceeds.

The customer shall inform us without delay of any seizure or other interference by third parties. The customer shall bear all costs which have to be incurred to suspend such seizure or return the reserved goods, insofar as they are not reimbursed by third parties. Should the customer fall into arrears with his payments or should he fail to honour a bill of exchange on the due date, we shall be entitled to take back the reserved goods and if necessary to enter the premises of the customer for this purpose. The same shall apply, if it becomes clear after concluding the contract that the customer may have insufficient funds to settle our payment claims arising from this, or other contracts with the customer. The taking back of goods does not denote withdrawal from the contract. The provisions of the Insolvency Act remain unaffected.

If the realisable value of the existing securities exceeds the secured claims including accessory claims (interest, costs and the like) in total by more than 10%, we shall be obliged in this respect on request of the customer to release securities at our discretion.

#### 10. Liability for Defects

The customer must inspect delivered goods immediately after receipt and before processing. Complaints because of incomplete or incorrect delivery or notices of defects due to obvious defects are to be notified to us in writing without undue delay. Other defects are to be notified to us in writing immediately after they are discovered, but no later than

within eight days. In case of a delayed notification of defects, warranty rights which are based on these are excluded in the commercial business transactions. The warranty rights of the customer also presume that he has properly satisfied the duties of investigation and notification of defects which he owes by virtue of law. In case of damages in transit the customer must have the railway or postal factual recording prepared immediately. All those parts which due to a circumstance occurring prior to the passing of the risk prove to be defective must be reworked or replaced free of charge at the discretion of the supplier. The supplier must be notified immediately in writing if any such defects are discovered. Replaced parts shall become the property of the supplier. The claims of the customer on account of a material defect of the delivery item – irrespective of the legal reason – shall become statute-barred in 12 months after the risk for the delivery item has passed.

#### 11. General Limitation of Liability

We are liable for unlimited compensation in the case of intent or gross negligence, in the case of warranties made by us and in the case of compensatory damage claims for injury to life, limb, health and personal freedom.

Under the German Product Liability Act, we are liable only within the scope of the relevant provisions.

With respect to companies, the compensation is limited in cases of slight negligence to the foreseeable loss or damage typical of the contract.

The liability for slight negligence is excluded in cases of immaterial breaches of duty and in the case of a breach of immaterial contractual duties.

We are also liable if features of the delivery item expressly warranted by us are absent, but only if this warranty had the specific purpose of safeguarding the customer against damages not arising on the delivery item as well as in the case of fraudulent concealment of defects.

For cases where our liability occurs, this also applies for our legal representatives and our vicarious agents or assistants.

Unless otherwise agreed, contractual claims against us arising for the customer as a result of or in connection with the delivery of the goods shall become statute-barred one year after the passing of the risk. This deadline also applies to such goods which are used for a structure in accordance with their customary manner of utilisation and have caused the structure concerned to be defective. Our liability from intentional and grossly negligent breaches of duty or the expiry of statutory rights of recourse remains unaffected. The period of limitation shall not restart in the case of subsequent performance.

#### 12. Place of Fulfilment, Place of Jurisdiction, Choice of Law, Safeguarding Clause

The place of fulfilment for all our deliveries and all return services on the part of the customer is Korntal-Münchingen (Germany).

Insofar as the customer is a businessman, a legal person under public law or a special fund under public law, our place of business (Korntal-Münchingen) is the place of jurisdiction. This also applies if the customer does not have a general place of jurisdiction in Germany at the time of the conclusion of the contract or transfers his residence or place of business abroad after conclusion of the contract or his usual place of abode is not known at the time of prefferal of charges. We are however entitled to also bring an action against our customer at his place of business.

The law of the Federal Republic of Germany shall apply exclusively particularly in relation to foreign customers. The provisions of the United Nations Convention on Contracts for the International Sale of Goods (CISG) shall not apply.

Should one of the foregoing provisions be or become invalid or impracticable, the remaining provisions remain unaffected. The parties already undertake to replace the invalid or impracticable provision with one which comes as close as possible in a legally permissible manner to the economic objective pursued with the invalid or impracticable provision. This shall also apply in the event that the foregoing provision contains a loophole.

# ASKUBAL®

**ASK Kugellagerfabrik  
Artur Seyfert GmbH**

Weilimdorfer Str. 32 - 36  
D-70825 Korntal-Münchingen  
Phone: +49 (0) 711 / 8 30 08 - 0  
Fax: +49 (0) 711 / 8 30 08 - 500

Web: [www.askubal.de](http://www.askubal.de)  
E-Mail: [ask@askubal.de](mailto:ask@askubal.de)

